

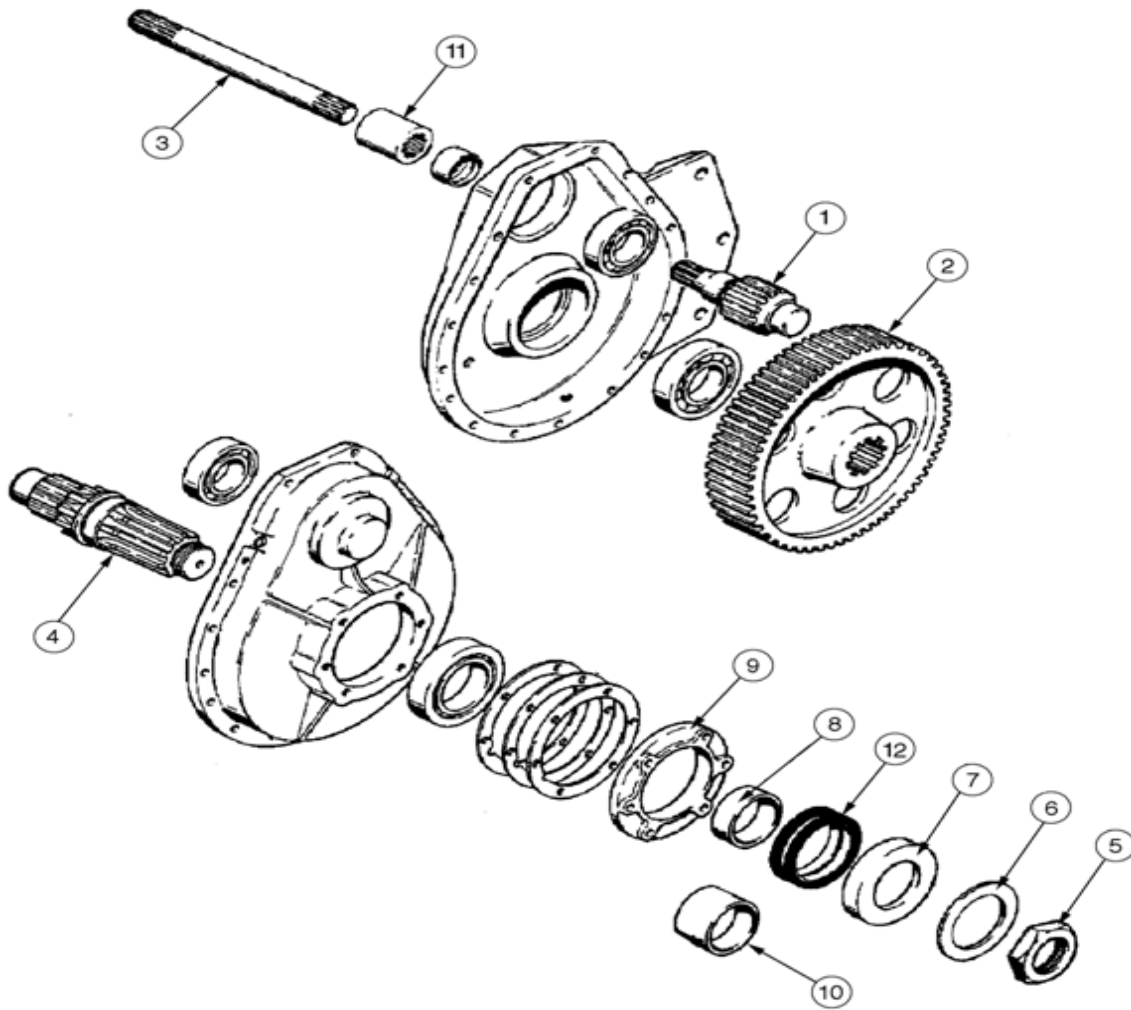


Transmission & Final Drive Parts

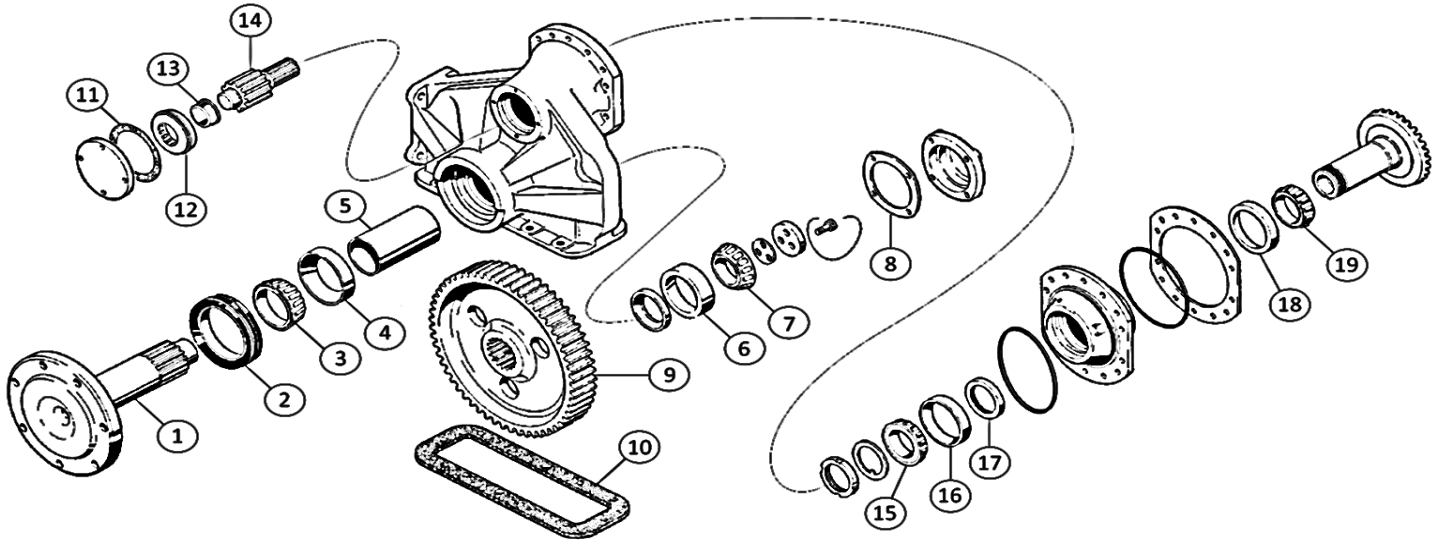
SECTION J

TRANSMISSION & FINAL DRIVE PARTS

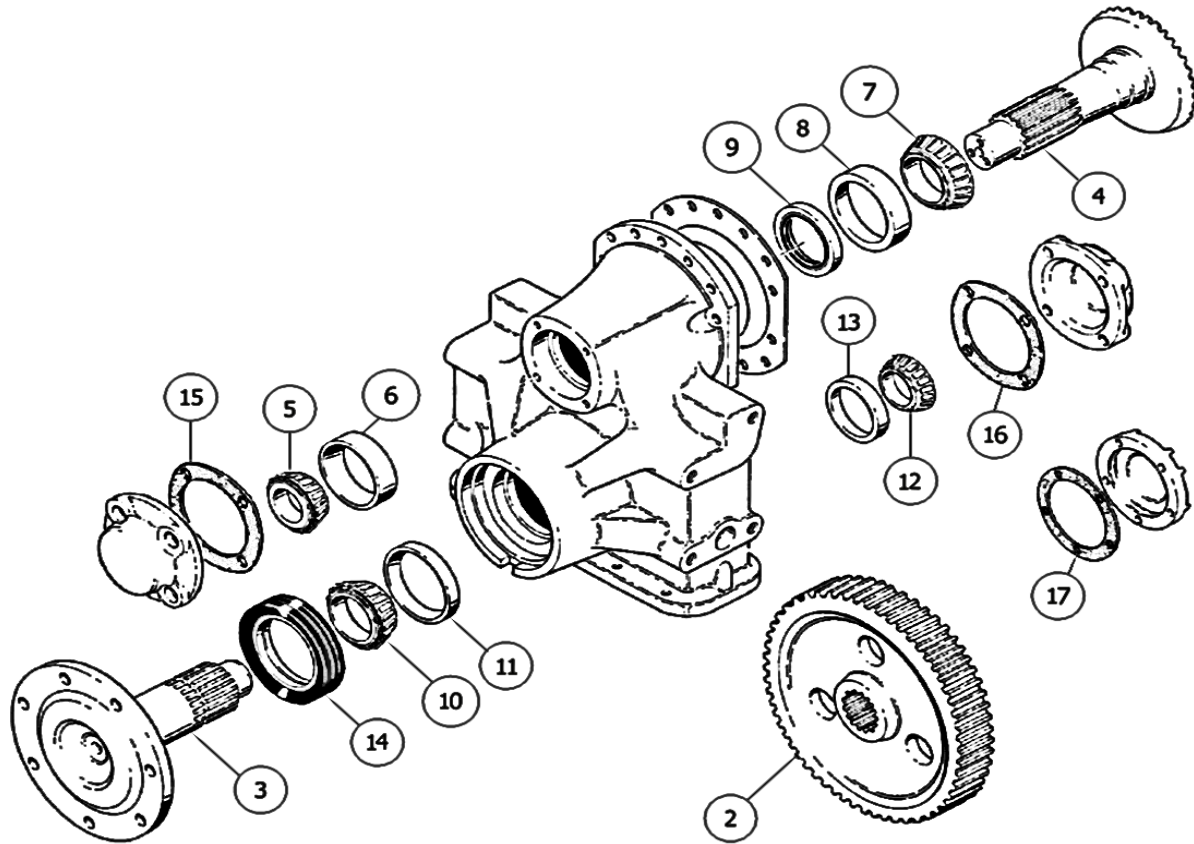
	Page
BEARING KITS	J9
<hr/>	
FINAL DRIVE PARTS	
ALLIS CHALMERS	J8
CASE	J1-J5
DRESSER	J5
JOHN DEERE	J7-J8
<hr/>	
TRANSMISSION DISCS	J12-J13
<hr/>	
TRANSMISSION PARTS	
CASE	J6
DRESSER	J8
JOHN DEERE	J8
<hr/>	
TRANSMISSION & TORQUE CONVERTER PUMPS	
CASE	J11
DRESSER	J11
JOHN DEERE	J11
<hr/>	
TORQUE CONVERTERS	
CASE	J10
JOHN DEERE	J11
<hr/>	



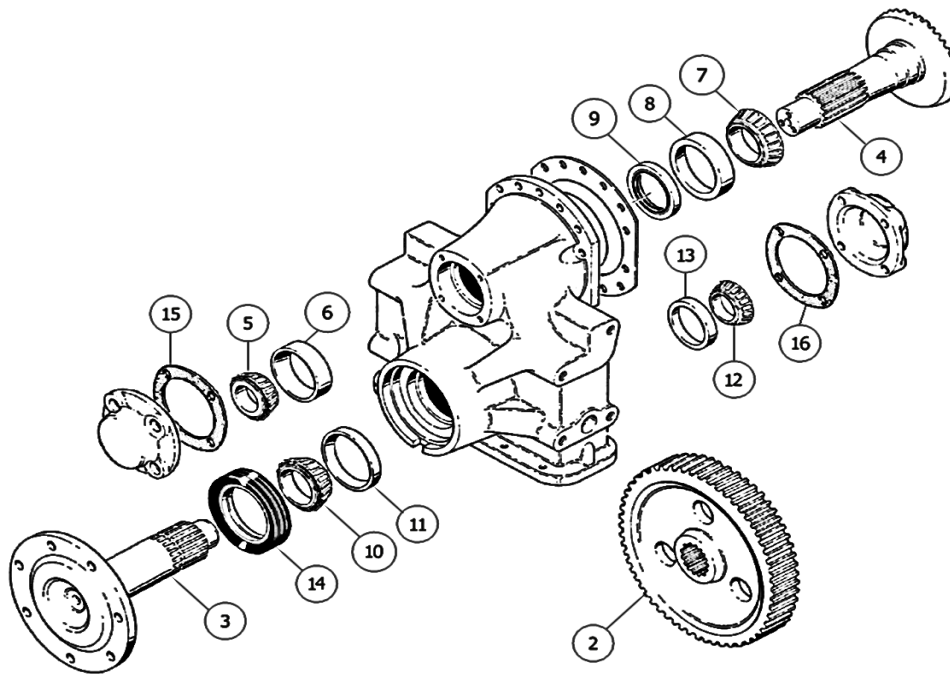
Ref.	Part No.	Description	Notes	Qty.	Wt.
CASE 310, 350, 350B					
	R25584	Ring & Pinion		1	14
1	11832	Pinion	6 Spline	2	7
1	D31514	Pinion	10 Spline	2	6
2	11833	Bull Gear		2	28
3	11845	Shaft	Final drive to transmission, 6 & 10 Spline	2	5
3	D31519	Shaft	Final drive to transmission, 10 Spline	2	5
4	11853	Sprocket Shaft		2	17
5	D29126	Sprocket Nut		2	1.4
6	D29125	Washer		2	0.6
7	D43359	Seal Carrier		2	1.8
8	D43360	Spacer		2	1
9	D43356	Seal Carrier		2	5
10	PV410	Spacer	To install a 350 sprocket on a 310 machine	2	1.2
11	11831	coupler	6 Spline	2	1.2
11	D32730	coupler	10 Spline	2	1.8
12	D29517	Seal	310	2	0.6
12	R39274	Seal	350, 350B	2	0.9
	PV701	Bearing & Seal Kit	310	2	10
	PV702	Bearing & Seal Kit	350, 350B	2	11



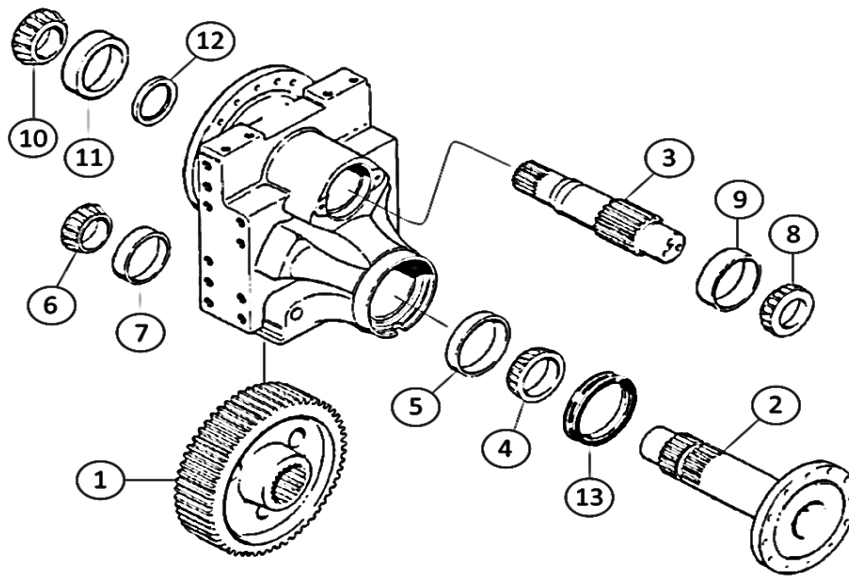
Ref.	Part No.	Description	Notes	Qty.	Wt.
CASE 450, 450B, 455B					
1	A50484	Sprocket Shaft	450, 10 1/4" Length 33 splines No Lip for Seal	2	48
1	A51737	Sprocket Shaft	450, 11 1/2" Length 33 splines 2 13/16" OD spline	2	54
1	G105733	Sprocket Shaft	450B, 455B 38 splines 3 15/64" OD spline	2	53
1	G106477	Sprocket Shaft	450B, 455B, with G102943 transmission	2	60
2	A50552	Seal	450, used with A50484 shaft	2	1.7
2	1981095C1	Seal	450, used with A51737 shaft	2	1.7
3	A50100	Bearing cone		2	1.6
4	A27146	Bearing cup		2	0.8
3	A63185	Bearing cone	450B, 455B, with G102943 transmission	2	2.1
4	A63171	Bearing cup	450B, 455B, with G102943 transmission	2	1.1
5	A50213	Spacer	450 s/n -3060306	2	1.6
6	A50179	Bearing cup		2	0.5
7	G10414	Bearing cone		2	0.9
6	L35931	Bearing cup	450B, 455B, with G102943 transmission	2	0.8
7	G100323	Bearing cone	450B, 455B, with G102943 transmission	2	1.6
8	A50139	Gasket		2	0.1
8	G101598	Gasket	450B, 455B, with G102943 transmission	2	0.1
9	A50214	Bull Gear	450 33 spline	2	67
9	G101531	Bull Gear	450, 450B, 455B 38 spline	2	60
10	A50218	Gasket		2	0.1
11	A50346	Gasket		2	0.1
12	A50145	Bearing		2	1.8
13	A50144	Bearing		2	0.06
14	A50143	Pinion		2	11
15	A50197	Bearing cone		2	1.4
16	F9803	Bearing cup		2	0.8
17	A50419	Seal		2	0.6
18	F9803	Bearing cup		2	0.8
19	F9804	Bearing cone		2	1.4



Ref.	Part No.	Description	Notes	Qty.	Wt.
CASE 450C, 455C, 550, 550E, 550G, 550H					
2	G101531	Bull Gear		2	60
3	G105733	Sprocket Shaft	450C & 455C (not for LGP machines)	2	53
3	G106477	Sprocket Shaft	450C, 455C, 550, 550E, 550G, 550H, LGP models only	2	60
4	G107897	Bevel Gear		2	34
5	86509782	Bearing cone		2	2.7
6	86509783	Bearing cup		2	1.4
7	9823420	Bearing cone		2	2.1
8	9823418	Bearing cup		2	1.1
9	A32015	Seal		2	0.6
10	9823420	Bearing cone	(All models & LGP)	2	2.1
11	9823418	Bearing cup	(All models & LGP)	2	1.1
10	A50100	Bearing cone	450C & 455C (not for LGP machines)	2	1.6
11	A27146	Bearing cup	450C & 455C (not for LGP machines)	2	0.8
12	9670004	Bearing cone	(All models & LGP)	2	1.6
13	9671391	Bearing cup	(All models & LGP)	2	0.8
12	158238C1	Bearing cone	450C & 455C (not for LGP machines)	2	0.9
13	105497H	Bearing cup	450C & 455C (not for LGP machines)	2	0.5
14	1981095C1	Seal		2	1.7
15	G101598	Gasket		2	0.1
16	G101598	Gasket	4 holes	2	0.1
17	A50139	Gasket	5 holes, 450C & 455C (not for LGP machines)	2	0.1



Ref.	Part No.	Description	Notes	Qty.	Wt.
CASE 650, 650G, 850B, 850C, 850D, 855D, 850E, 855E, 850G, non-LGP machines					
2	A50134	Bull Gear		2	96
3	G106477	Sprocket Shaft		2	60
4	G107897	Bevel Gear		2	34
5	86509782	Bearing cone		2	2.7
6	86509783	Bearing cup		2	1.4
7	9823420	Bearing cone		2	2.1
8	9823418	Bearing cup		2	1.1
9	A32015	Seal		2	0.6
10	9823420	Bearing cone		2	2.1
11	9823418	Bearing cup		2	1.1
12	9670004	Bearing cone		2	1.6
13	9671391	Bearing cup		2	0.8
14	1981095C1	Seal		2	1.7
15, 16	G101598	Gasket		4	0.1
CASE 850C, 850D, 855D, 850E, 855E, 850G, LGP machines					
2	G103588	Bull Gear		2	107
4	G107897	Bevel Gear		2	34
5	86509782	Bearing cone		2	2.7
6	86509783	Bearing cup		2	1.4
7	9823420	Bearing cone		2	2.1
8	9823418	Bearing cup		2	1.1
9	A32015	Seal		2	0.6
10	83911221	Bearing cone		2	3.6
11	86613319	Bearing cup		2	1.8
12	1997115C1	Bearing cone		2	3.4
13	160301R1	Bearing cup		2	1.8
14	G109655	Seal		2	1.8
15	G101598	Gasket		2	0.1



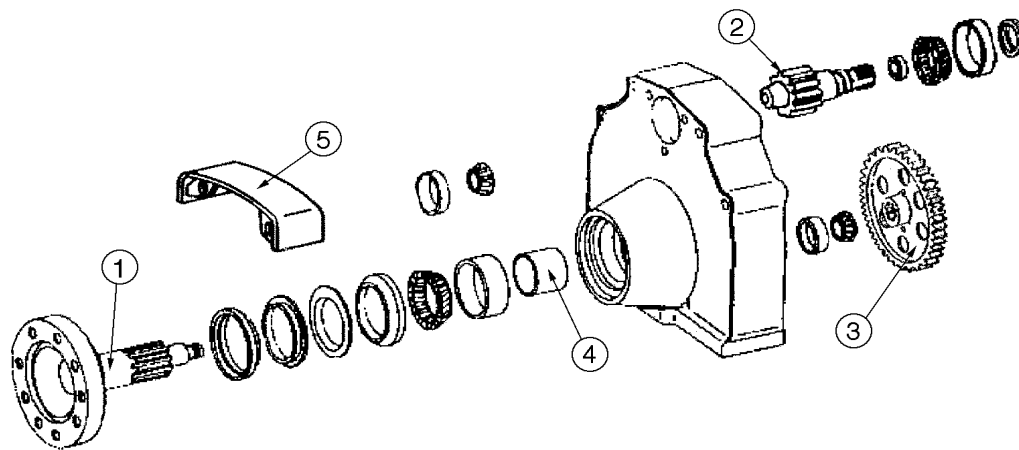
Ref. Part No.	Description	Notes	Qty.	Wt.
CASE 1150B, 1150C, 1150D, 1155D, 1150E, 1155E, 1150G, 1150H				
1	G100294	Bull Gear	2	114
2	A51451	Sprocket Shaft	2	90
		Also fits 850C LGP		
3	G109013	Pinion Shaft	2	40
4	L33736	Bearing cone	2	3.6
5	L33731	Bearing cup	2	1.8
6	A34339	Bearing cone	2	3.4
7	A50324	Bearing cup	2	1.8
8	A50715	Bearing cone	2	4.8
9	L30821	Bearing cup	2	2.2
10	A50714	Bearing cone	2	5.9
11	A50713	Bearing cup	2	2.5
12	A32015	Seal	2	0.6
13	G109655	Seal	2	1.8
	PV412	Seal Spacer	2	1
		Welds to Housing, Also fits 1450B, 1455B		
3	A50318	Pinion	2	28
	G107943	Planetary Drive Shaft	2	26
	A168166	Planetary Pinion Gear	6	13
	A179586	Planetary Ring Gear	2	64
DRESSER				
	306578R1	Pinion	2	6
	621109C1	Bull Gear	2	78
	621111C1	Pinion	2	22
	621116C2	Bull Gear	2	168
	621125C1	Pinion	2	22
	636695R1	Pinion	2	13
	636697R1	Bull Gear	2	37
	676861R1	Pinion	2	13
	852522R1	Pinion	2	13
	676872R1	Bull Gear	2	42
	676831C1	Clutch Base	2	20
	850676C1	Clutch Base	2	20

TRANSMISSION PARTS

CASE BACKHOES

Part No.	Description	Notes	Qty.	Wt.
CASE 480, 480B, 580, 580B				
G13462	Shaft	Main, used with mechanical shuttle	1	3.7
A144339	Side Gear	Long	1	7
A144338	Side Gear	Short	1	6
A50996-997	Ring & Pinion Set	Without hub, with rivets	1	18
A39024	Pin	Differential pinion gear	1	1
A140280	Carrier L/H		1	13
A140279	Carrier R/H		1	13
A168925	Bull Gear		2	32
CASE 480C, 480D, 580C, 580D				
A50989	Side Gear	Long	1	7
A50990	Side Gear	Short	1	6
A51990	Ring & Pinion Set	480C with power shuttle, 480D to trans s/n 16270318	1	17
A51980	Ring & Pinion Set	580C, 580D without turbo 2WD	1	17
A142676	Pinion Gear		3	1
A146541	Pin	Differential pinion gear	3	1
A168926	Bull Gear		2	33
A51961	Gear	Second	1	5
A148508	Main Shaft		1	5
A148194	Gear	Sliding, fourth	1	4
A168172	Gear	Sliding, first & second	1	3
A51939	Shaft	Input manual shift, 480C, 580C	1	7
A144266	Shaft	Differential cross shaft	1	9
CASE 580E, 580K s/n -JYG0020000				
A168883	Ring & Pinion Set	Will also fit 480D after trans s/n 16270319	1	24
1342925C1	Side Gear L/H		1	9
1342927C1	Side Gear R/H		1	9
A156376	Shaft	Differential cross shaft	1	12
A179762	Pinion Gear		3	1
A153711	Pin	Differential pinion gear	3	1
A153751	Gear	First	1	8
A179853	Gear	Sliding, third	1	4
A168172	Gear	Sliding, first & second	1	3
A154936	Axle Shaft		2	56
A154940	Bull Gear		2	29
SYNCHRONIZER ASSEMBLIES				
A182240	Synchronizer	480E, 580K	1	3.8
A151114	Synchronizer	480C, 580C	1	4
A138655	Synchronizer	580C, 580D, 580E	1	4
L33333	Synchronizer	680 Series	1	3.4
L33334	Synchronizer	680 Series	1	7.5

Ref. Part No.	Description	Notes	Qty.	Wt.
JOHN DEERE FINAL DRIVE PARTS				
M2362T	Pinion	40 s/n 62264-, 420 & 430 s/n -125000 16 teeth	2	3
T23707	Pinion	1010, 350 s/n -20538	2	3
T24862	Pinion	350 s/n 20539-, 350B, 540E, 548E, 640E, 648E, 540G, 548G, 640G, 648G, 690B, 690C, 890, 990, 4000 Series winch	2	4
T29461	Bull Gear	350 s/n 71120-, 350B, 690B, 690C, 890, 990	2	35
T24861	Pinion Shaft	350 s/n 20539-, 350B	2	6



JOHN DEERE 450 & 550 FINAL DRIVE PARTS

1	T61032	Sprocket Shaft	450B, 450C s/n -35666, 550 s/n -356813, 555 s/n -356813, 25 spline	2	65
1	T68003	Sprocket Shaft	450C s/n 356667-, 550 s/n 356814-, 555 s/n 356814-, 64 spline	2	55
2	T20668	Pinion	450, 12 teeth	2	12
2	T31999	Pinion	450B, 450C, 450D, 450E standard track s/n -719252	2	14
2	T81193	Pinion	450E standard track s/n 719253-	2	13
2	T40859	Pinion	450E LT s/n -719252, 550, 555, 550B, & 555B, s/n -719252	2	12
3	T161934	Bull Gear	450B, 450C s/n -35666, 25 spline	2	90
Also order T55233 spacer					
3	T161936	Bull Gear	450C s/n 35667-, 450D, 450E s/n -719253, 64 spline	2	90
Also order T55233 spacer					
3	T68001	Bull Gear	550 s/n 358614-, 555 s/n 358614-	2	75
4	T20664	Spacer	450 (2.5")	2	0.8
4	T32001	Spacer	450B, 450C (2.187")	2	0.7
4	T55233	Spacer	450D, 450E, 455D, 455E, 550B, 555, 555B (3")	2	1
5	AT50847	Final Drive Guard Top		2	5
	T20713	Brake Drum	450	2	50
	T31730	Brake Drum	450B	2	50
	T37091	Shaft	450, 450B, 450C, 450D, 450E, 455E, 455D, 550, 550B, 555, 555B	2	10
	T148796	Bottom Cover		2	49

JOHN DEERE 655, 655B, 750, 750B, 755, 755A, 755B

T60239	Pinion	30 teeth	6	25
--------	--------	----------	---	----

TRANSMISSION & FINAL DRIVE PARTS

Part No.	Description	Notes	Qty.	Wt.
JOHN DEERE 550G, 650G (For Double Reduction Final Drive)				
T105458	Pinion	22 teeth	2	18
T105459	Idler Gear	41 teeth	2	25
T105460	Idler Pinion	12 teeth	2	20
T162073	Bull Gear	53 teeth	2	83
JOHN DEERE 450H, 550H, 650H, 450J, 550J, 650J				
T169138	Spur Gear	Second idler pinion	2	14
JOHN DEERE 350, 350B, 350C, 350D				
T34352	Shaft	Transmission input	1	10
T34905	Shaft	Shuttle Output	1	7
T14923	Coupler	For above shafts	1	2
T16598	Cluster Gear	23-27-34 Teeth	1	9
T16326	Gear	Second and reverse	1	3
T14210	Gear	First and Fourth, 28 Teeth	1	3
T20868	Gear	Third, 36 Teeth	1	3
T19462	Gear	Third, 15 Teeth	1	1
T19222	Gear	Fourth, 23 Teeth	1	2
T23653	Shaft	Transmission input, 1010, 350	1	11
JOHN DEERE 400G, 450E, 455E				
AT80834	Drive Shaft	Front	1	10
JOHN DEERE 210C, 310A, 310B, 310C, 310D, 401C, 401D, 410, 410B				
T38506	Planetary Pinion Carrier	Old Style	1	16
T149082	Planetary Pinion Carrier	New Style	1	16
T149083	Shaft		3	1.6
AC HD3, HD4, 653, 655 Final Drive Parts				
70233717	Pinion		2	16
70233724	Bull Gear		2	49
TD7, TD8, 100, 125 Planetary Pinions				
629839C1	Gear	Planetary Pinion	6	1
716939C1	Shaft	Planetary Pinion Gear	6	1
Case 880-980-B Drott 35-40-50 Final Drive Parts				
S609333	Pinion		2	2
S603741	Gear		2	36
S612550	Pinion		2	4
S242157	Rex Bearing	Sprocket shaft	2	15
S242158	Rex Bearing	Sprocket shaft	2	24
S209721	Rex Bearing	Sprocket shaft	2	15

FINAL DRIVE BEARING KITS

Part No.	Description	Notes	Qty.	Wt.
CASE				
PV701	Bearing Kit	310	2	10
PV702	Bearing Kit	350, 350B	2	11
PV703	Bearing Kit	450 to s/n 3038435	2	7
PV704	Bearing Kit	450 after s/n 3038436, 450B	2	9
PV705	Bearing Kit	Pinion carrier bearing set, 450, 450B	2	5
PV706	Bearing Kit	450C, 455C	2	13
PV707	Bearing Kit	850	2	11
PV708	Bearing Kit	650, 650G, 850B, 850C, 850D, 855D, 850E, 855E, 850G, non-LGP machines	2	15
PV712	Bearing Kit	850C, 850D, 855D, 850E, 855E, 850G, LGP machines	2	21
PV709	Bearing Kit	1150 to Trans. s/n 2663630	2	21
PV710	Bearing Kit	1150 after Trans. s/n 2663631	2	22
PV711	Bearing Kit	1150B, 1150C, 1150D, 1150E, 1155D, 1155E	2	29
JOHN DEERE				
PV720	Bearing Kit	420	2	6
PV721	Bearing Kit	440 to s/n 456800	2	6
PV722	Bearing Kit	440 after s/n 456801	2	7
PV723	Bearing Kit	1010 to s/n 31000	2	7
PV724	Bearing Kit	1010 after s/n 31001	2	8
PV732	Bearing Kit	2010	2	9
PV725	Bearing Kit	350 to s/n 20538	2	8
PV726	Bearing Kit	350 after s/n 20539, 350B	2	8
PV731	Bearing Kit	350C, 350D, 400G	2	8
PV727	Bearing Kit	450 used with T20668 Pinion	2	9
PV728	Bearing Kit	450B, 450C to s/n 388460	2	9
PV729	Bearing Kit	450C after s/n 388460, 450D, 450E to s/n 719252, 455C, 455D, 455E to s/n 719252	2	9
PV730	Bearing Kit	550 to s/n 388459, 555 to s/n 388459	2	10
PV733	Bearing Kit	450E after s/n 719253, 455E after s/n 719253, 450E LT, 450E WT, 550 after s/n 388460, 550A, 550B, 555 after s/n 388460, 555A, 555B	2	10
PV737	Bearing Kit	450G, 450G LT, 455G, 555G, 450G WT to s/n 795142	2	14
PV738	Bearing Kit	450G WT after s/n 795143	2	14
PV739	Bearing Kit	550G, 650G, to s/n 785187	2	17
PV740	Bearing Kit	550G, 650G, after s/n 785188	2	19
PV742	Bearing Kit	450H, 550H, 650H, 450J, 550J, 650J	2	20
DRESSER				
PV735	Bearing Kit	TD7, TD7C, TD7E, 100, 100C, 100E	2	9
PV736	Bearing Kit	TD8, TD8C, TD8E, 125, 125C, 125E	2	9
ALLIS CHALMERS				
PV741	Bearing Kit	HD3, HD4, 653, 655	2	7

TORQUE CONVERTERS & PARTS

CASE

Part No.	Description	Notes	Qty.	Wt.
CASE 350, 350B				
103293A1R	Torque Converter	Loader	1	30
R41643R	Torque Converter	Dozer	1	30
574142	Rebuild Kit	For Shuttle	1	10

CASE 450, 450B				
D52422R	Torque Converter	With ring on housing, (R & R only)	1	71
R42395R	Torque Converter	Flex Plate Style	1	71
N14072	Rotating Housing	Flex Plate Style	1	29

Case Torque Converters		Rebuilt		
PV220R	Torque Converter	850, 850B, 850C Dozer 1150B, 1150C, 1155D Loader	1	77
PV221R	Torque Converter	850, 850B, 850C, 855C, Loader	1	77
PV222R	Torque Converter	1150, 1150B, 1150C, 1150D, 1450, 1450B Dozer, 1150 Loader	1	77
PV223R	Torque Converter	1450, 1455B, Loader	1	77
PV224R	Torque Converter	850D Dozer, 1155E Loader	1	77
PV225R	Torque Converter	855D Loader	1	77
PV226R	Torque Converter	1150E Dozer	1	77

CASE TORQUE CONVERTER PARTS

850, 850B, 850C, 850D, 855C, 855D, 1150, 1150B, 1150C, 1150D, 1150E, 1155E, 1450, 1450B, 1455, 1455B				
D31934	Impeller		1	8.6
D31935	Turbine		1	7.2
D48856	Impeller		1	8.6
D37376	Impeller		1	8.9
D49383	Impeller		1	9
D75861	Torque Hub		1	7
D32026	Output Shaft		1	7
D75862	Gear	With sleeve	1	3
D32003	Gear	Torque driven	1	3
D78330	Gear	Hydraulic pump drive 15 Spline	1	2.2
R46562	Gear	Hydraulic pump drive 14 Spline	1	1
D32015	Pilot	Flywheel, for case engines	1	4.6
N9775	Pilot	Flywheel, for cummins engines	1	5.6
D31936	Guide Wheel	Loader models only	1	4.3
D37377	Guide Wheel	Dozer models only	1	4.4
N8410	Rotating Housing	For case engines	1	42
N9777	Rotating Housing	For cummins engines	1	40

TRANSMISSIONS, SHUTTLES, PUMPS

CASE & JOHN DEERE

Part No.	Description	Notes	Qty.	Wt.
CASE TORQUE CONVERTER & TRANSMISSION PUMPS				
D35016	Pump	450, 450B	1	4.8
R30678	Pump	850, 850B, 850C, 850D, 855C, 1150	1	7.3
137093A1	Pump	350, 580C, 580D, 580E, 580K	1	9
119994A1	Pump	550E, 550G, 550H, 650G, 650H, 750H, 850E, 850G, 850H, 855E, 580SK, 590	1	11
181199A4	Pump	570L, 580L, 580SL, 580M, 580SM, 585G, 586G, 588G 590SL, 590SM w/out powershift	1	16
DRESSER TRANSMISSION PUMP				
625000C91	Pump	TD7, TD7C, TD7E, TD8, TD8C, TD8E (to s/n 9500 on E models) 100, 100C, 100E, 125, 125C, 125E, (to s/n 9500 on E models)	1	17
CASE 580, 580B				
A51166R	Shuttle Pack	Twin Disc	1	42
A39521R	Torque Converter		1	80
A38133R	Shuttle Pack	Rockford	1	34
CASE 480C, 480D, 480E, 580C, 580D, 580E, 580K, 584E, 585E, 586E				
103293A1R	Torque Converter	Cores marked with SR, SN, or TG will not receive core credit	1	30
D75694R	Shuttle Assembly	480C, 480D, 480E, 580C, 580D, 580E	1	117
D102905R	Shuttle Assembly	580K	1	117
D140175	Shuttle Assembly	Will replace D75694, D102905 NEW	1	140
574136	Rebuild Kit	Shuttle	1	10
D103219	Disc Kit	Shuttle	1	5.5
1995137C1R	Torque Converter	550E, 550G, 550H, 580SK, 580SL, 580SL Ser. 2, 580SM, 590, 590SL, 590SL Ser 2, 590SM	1	39
CASE 580E, 580K to s/n JIG0020000				
D47456	Driven Gear	New	1	14
L35003	Free Wheel Clutch Kit		1	9.3
N7770	Charge Pump		1	23
JOHN DEERE TRANSMISSIONS				
PV231R	Shuttle Pack	450	1	60
AT104145R	Shuttle Pack	450B, 450C, 450D, 450E, 455D, 455E	1	71
AR30480R	Manifold	450, Marked R32696	1	7.7
AR40934R	Manifold	450, Marked R41331	1	7.7
AR48384R	Manifold	450B to s/n 142199, Marked R46220	1	7.7
AR56620R	Manifold	450B, 450C, 450D, 450E, 455D, 455E, Marked R52036	1	7.7
JOHN DEERE SHUTTLES				
AT163729R	Shuttle Assembly	210C, 310C, 315C, 482C	1	120
574136	Rebuild Kit	210C, 210D, 310C, 310D, 315C, 482C	1	10
AT100842R	Torque Converter		1	30
JOHN DEERE 550, 550B to s/n 719977, 555, 555B to s/n 720212				
PV233R	Transmission Assembly		1	675
PV232R	Torque Converter		1	53
JOHN DEERE 444, 544-ABC				
AT73766R	Transmission Assembly		1	785
AT69097R	Free Wheel Clutch & Gear		1	24
T72081R	Gear		1	14
AT72878	Charge Pump		1	23

TRANSMISSION DISCS

CASE

Part No.	Description	Notes	Qty.	Wt.
CASE 480, 580, 580B				
A41355	Metallic Disc	Rockford	10	0.1
A41005	Steel Disc	Rockford	10	0.2
A42854	Metallic Disc	Twin Disc	10	0.2
A42855	Steel Disc	Twin Disc	10	0.3
CASE 350, 350B, 480C, 480D, 480E, 580C, 580D, 580E, 580K to s/n JIG0020000				
D70672	Metallic Disc	480C, 480D, 480E, 580C, 580D, 580E, 580K to s/n JIG0020000	7	0.05
D50082	Metallic Disc	350, 350B	7	0.1
D50083	Steel Disc		6	0.2
D50040	Metallic Disc		3	0.45
CASE 450, 450B, 455B, 450C, 455C, 550, 850B, 850C, 850D, 855C, 855D, 1150B, 1150C, 1150D, 1155D, 1150E, 1155E, 1150G, 1150H				
G102354	Metallic Disc		24	1.05
G101711	Steel Disc		24	0.8
CASE 550E, 550G, 550H, 650G, 850E, 855E, 850G, 580K after s/n JIG0020000, 580SK, 590				
A188946	Metallic Disc		22-24	0.1
A175806	Steel Disc		22-24	0.3
CASE 570LXT, 580L, 580SL, 580M, 580SM, 590SL, 590SM				
181158A1	Metallic Disc		12	0.15
181159A1	Steel Disc		14-16	0.3
CASE 1150D, 1155D, 1150E, 1150G, 1150H, 1155E, 1450B				
A67156	Steel Disc		9	0.4
CASE 1150B, 1150C, 1150D, 1155D, 1150E, 1150G, 1150H, 1155E, 1450, 1450B, 1455B				
A50631	Steel Disc		10	0.4
N7022	Metallic Disc	W14, W18, W18B, W20, W20B, W20C, W24C	9	0.9
N7219	Metallic Disc	W11B, W14B, W14C, 680H, 680K, 680L, 780B, 780C, 780D	8	0.1
N7217	Metallic Disc	W11B, W14B, W14C, 680H, 680L, 780B, 780C, 780D	28	0.2
A17921	Steel Disc	W7, W8B, W8C, 780	20	0.2
103310A1	Steel Disc	W7, W8B, W8C, 780	20	0.2
D55252	Metallic Disc	W7, W8B, W8C, W36, 780, 621	24	0.3
D77063	Metallic Disc	W36, 780, 621	30	0.3

TRANSMISSION DISCS

JOHN DEERE, DRESSER, & CAT

Part No.	Description	Notes	Qty.	Wt.
JOHN DEERE 1010, 350, 350B, 350C, 350D				
T15801	Metallic Disc		12	0.4
T15793	Steel Disc		12	0.3
JOHN DEERE 400G, 450, 450B, 450C, 450D, 455D, 450E, 455E				
R57345	Steel Disc		15	0.5
R31404	Metallic Disc		12	0.5
JOHN DEERE 310, 310A, 310B, 410, 500C, 510, 410B, 510B				
AR94516	Metallic Disc		7	0.5
JOHN DEERE 410C, 410D, 510C, 610B, 610C, 710B, 710C				
RE23000	Metallic Disc		9	0.5
JOHN DEERE 550, 550B, 555, 555B				
T44805	Metallic Disc		32	0.4
T44804	Steel Disc		27	0.3
JOHN DEERE 300, 301, 401				
AR39128	Metallic Disc		7	0.1
JOHN DEERE 444C, 444D, 544C, 544D, 644B, 644C, 644D				
T67544	Metallic Disc		9	0.9
DRESSER 100C, 125C, TD7C, TD8C, (100E, 125E, TD7E, TD8E, to s/n 9500)				
324241R1	Steel Disc		37-47	0.2
324240R1	Metallic Disc		42-52	0.1
675667R1	Metallic Disc		42-52	0.1
187109H1	Metallic Disc		42-52	0.1
702959C1	Metallic Disc		42-52	0.1
DRESSER TD7G, TD8G, (100E, 125E, TD7E, TD8E, after s/n 9501)				
716719C1	Steel Disc		29	0.1
709777C1	Metallic Disc		34	0.1
CAT D3, D3C, D4C, D5C				
6Y7934	Metallic Disc			0.1
6Y7935	Metallic Disc			0.1
9P6903	Steel Disc			0.3
9P7101	Steel Disc			0.9