



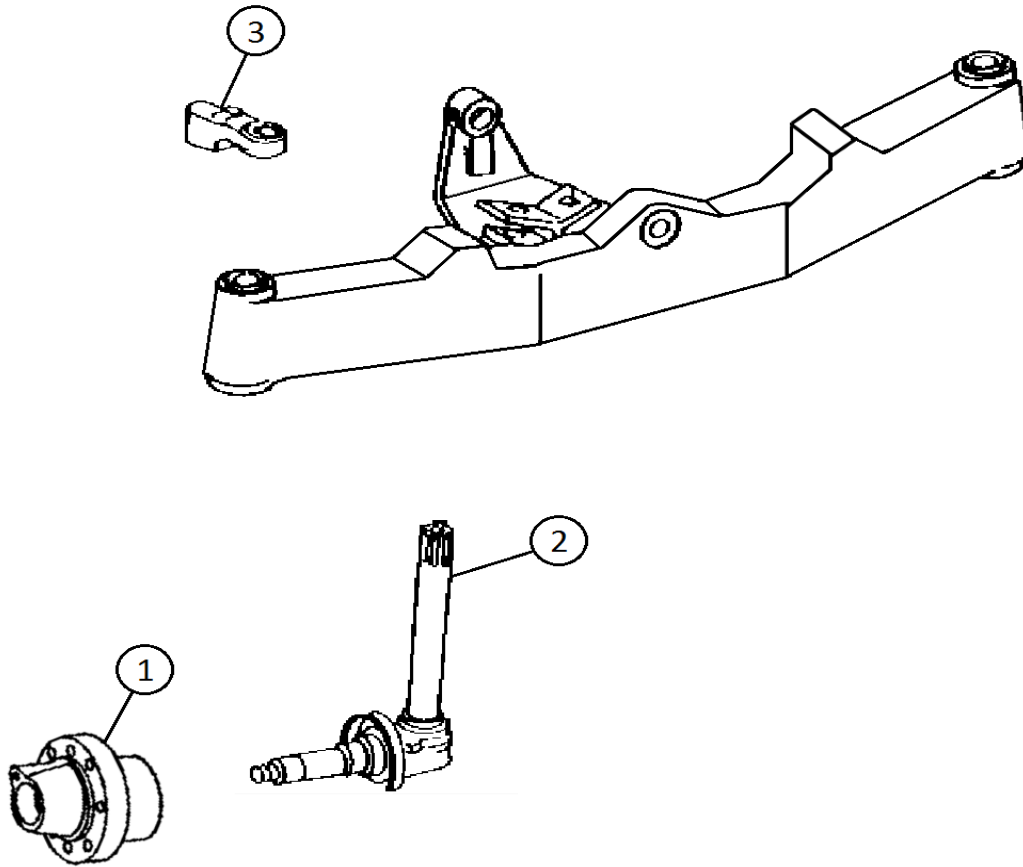
Loader Backhoe  
Front Axle Parts  
2WD & 4WD

# SECTION G

## LOADER BACKHOE FRONT AXLE PARTS

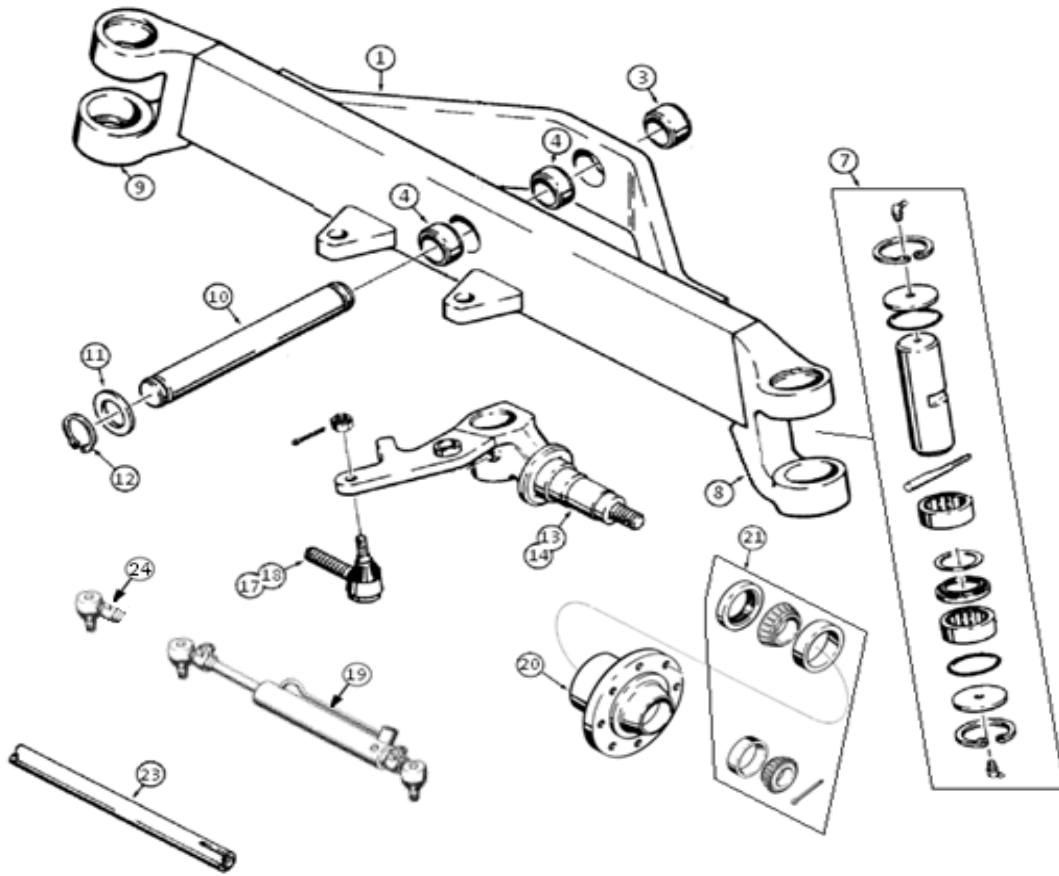
---

	<b>Page</b>
<u>CASE 2WD AXLE PARTS</u>	G2-G5
<u>CASE 4WD CARRARO APPLICATIONS</u>	G6-G22
<u>CASE 4WD FRONT AXLE KITS</u>	G23-G25
<u>CASE RIMS</u>	G5
<u>JOHN DEERE 2WD AXLE PARTS</u>	G1

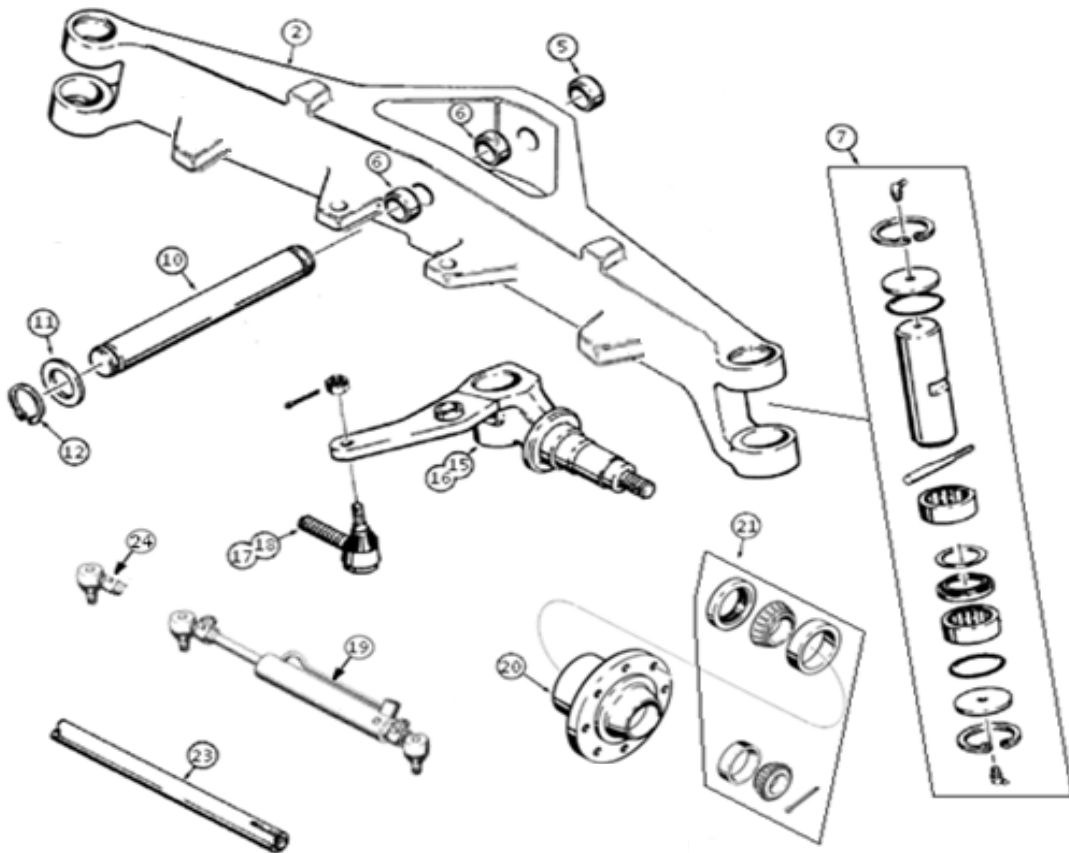


Ref.	Part No.	Description	Notes	Qty.	Wt.
<b>JOHN DEERE 300B, 301A, 302, 302A, 401B, 401C, 310 s/n -237997</b>					
1	R49839	Hub	6 Hole	2	18
2	AT33636	Spindle		2	23
3	T21519	Steering Arm R/H		1	6
	T21520	Steering Arm L/H		1	6
<b>JOHN DEERE 310 s/n 237998-, 310A, 310B s/n -700147, 401D s/n -700147, 480C s/n -700147</b>					
1	R49841	Hub	8 Hole	2	34
2	AT76758	Spindle		2	23
3	T77736	Steering Arm R/H	27 spline	1	16
	T77737	Steering Arm L/H	27 spline	1	16
<b>JOHN DEERE 310B s/n 700148-, 401D s/n 700148-, 480C s/n 700148-, 410 s/n 235786-, 500C s/n 238503-</b>					
1	R63556	Hub	8 Hole	2	27
2	AT76138	Spindle		2	37
3	T77482	Steering Arm R/H	30 spline	1	14
	T77483	Steering Arm L/H	30 spline	1	14

PV435R  
STEEL AXLE



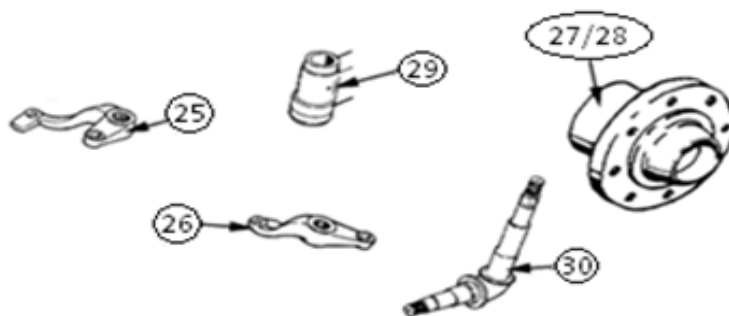
PV436R  
CAST AXLE



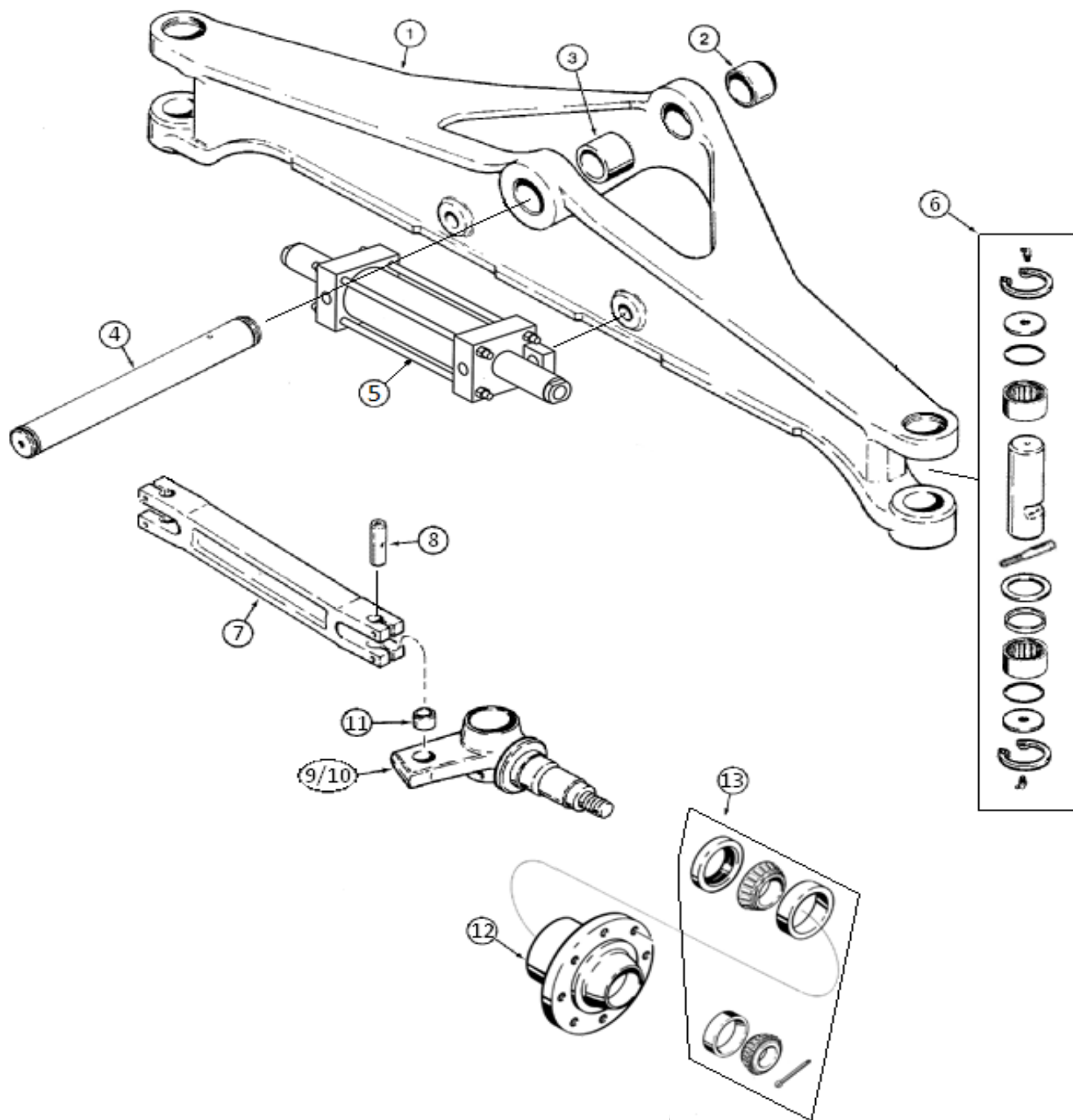
# FRONT AXLE PARTS

CASE

Ref. Part No.	Description	Notes	Qty.	Wt.	
<b>CASE 480C, 480D, 480E, 580C, 580D, 580E</b>					
1	PV435R	Steel Front Axle Assy 2WD	1	385	
2	PV436R	Cast Front Axle Assy 2WD	1	395	
(PV435 & PV436 will also work on rear axles on fork lifts, 584C, 584D, 584E, 585C, 585D, 585E, 586C, 586D, 586E)					
3	D43940	Bushing	1	0.5	
4	D61241	Bushing	2	0.4	
5	D50146	Bushing	1	0.7	
6	D61241	Bushing	2	0.4	
7	D103156	King Pin Kit	2	9	
8	D69359	Weld on End R/H	1	16	
9	D69360	Weld on End L/H	1	16	
10	D64171	Pin	1	9.4	
11	495-81226	Washer	2	0.05	
12	103-16175	Snap Ring	2	0.05	
13	D86343	Spindle, R/H	For Steel Axle	1	20
14	D86344	Spindle, L/H	For Steel Axle	1	20
15	D125862	Spindle, R/H	For Cast Iron Axle	1	20
16	D125863	Spindle, L/H	For Cast Iron Axle	1	20
17	D88491	Tie Rod End R/H		1	2
18	D88492	Tie Rod End L/H		1	2
19	234447A1	Steering Cyl. 2WD	Also fits 480B & 580B	2	9
19	234449A1	Steering Cyl. 4WD	480E, 580SE, 584E, 585E, 586E	2	9
20	A66759	Hub, 8 Hole		2	34
21	B93222	Wheel Bearing Kit		2	4
23	D73397	Tie Rod		1	20
24	A40962	Tie Rod End	L/H & R/H, Male Thread	2	2
	A40963	Tie Rod End	Female Thread	1	2



<b>CASE 430, 530, 480, 580 Front Axle Parts</b>					
25	A137741	Steering Arm L/H	480, 580, 580B	1	11
26	A137742	Steering Arm R/H	480, 580, 580B	1	11
27	A57336	Hub, 6 Hole	430, 530, 480, 480B	2	23
28	A51157	Hub, 8 Hole	580, 580B	2	35
29	A38382	Weld on End	480, 480B, 580, 580B	2	14
30	A154657	Spindle	430, 480, 530, 580, 580B	2	22
	G45368	Tie Rod End R/H		1	1
	G45369	Tie Rod End L/H		1	1



# FRONT AXLE PARTS

CASE

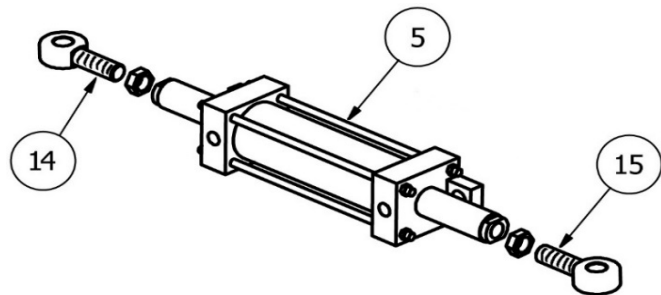
Ref. Part No.	Description	Notes	Qty.	Wt.	
<b>CASE 580K, 580SK, 580L, 580SL, 580M, 580SM</b>					
1	D138954	Front Axle Housing Housing Only, New	1	365	
	D138954A	Front Axle Assembly New, Hub to Hub (less steering cylinder)	1	491	
	D138954R	Front Axle Assembly Rebuilt Axle, Hub to Hub (less steering cylinder)	1	388	
2	D137345	Bushing	1	0.4	
3	D138047	Bushing	1	1	
4	D127445	Pin	Axle pivot	1	15
5	G107720	Steering Cylinder	1	29	
	G110045	Seal Kit	1	0.2	
14	G106832	Eye, L/H Thread	1		
15	G106813	Eye, R/H Thread	1		
6	D103626	King Pin Kit	2	8	
7	D123806	Steering Link	2	12	
8	D150155	Pin	4	0.5	
9	335130A1	Spindle R/H	1	17	
10	335132A1	Spindle L/H	1	17	
11	D127507	Bushing (335130A1 & 335132A1 spindles do not need this bushing)	2	0.1	
12	A66759	Hub, 8 Hole	2	34	
13	B93222	Wheel Bearing Kit	2	4	



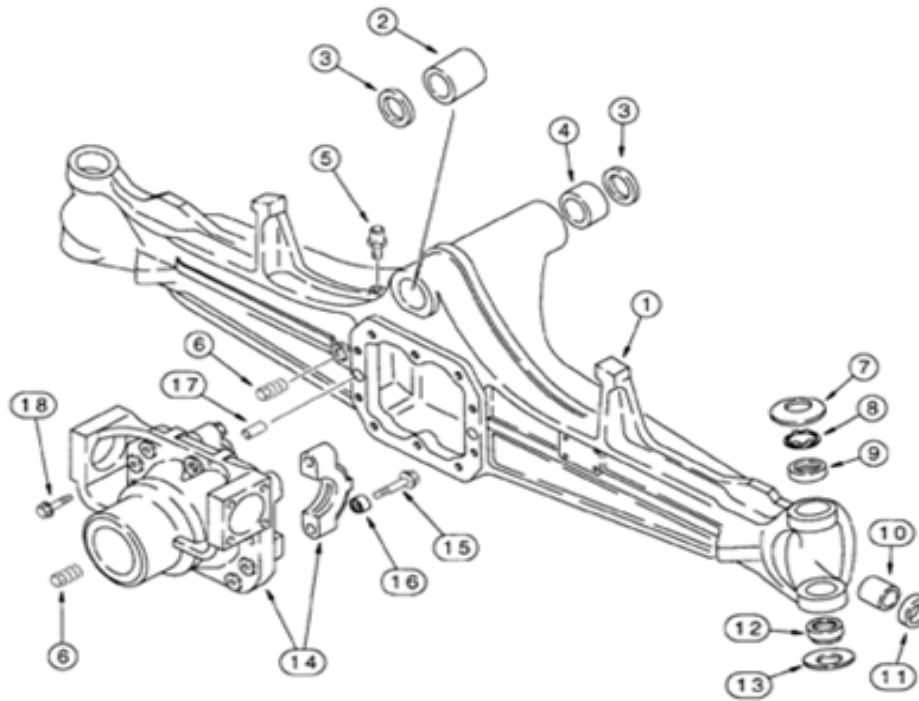
D125223



119243A1



<b>CASE</b>				
D125223	Front Rim, 8 Hole	2WD (All Models)	2	37
D126930	Front Rim, 8 Hole	4WD 580E, 580K, 580SK	2	36
119243A1	Front Rim, 8 Hole	4WD 580L, 580SL, 580M, 580SM	2	36
N6798	Steering Column	580D, 580E	1	9

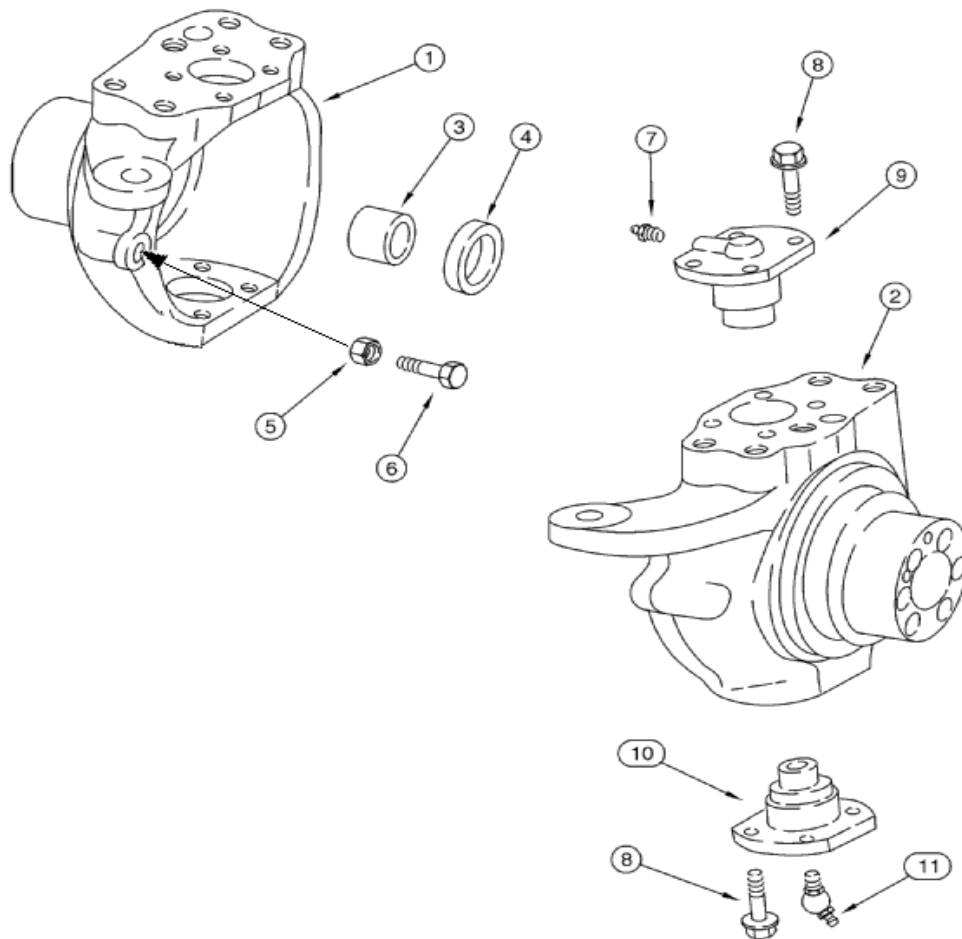


Ref.	Part No.	Description	Notes	Qty.	Wt.
<b>CASE 570L, 580L &amp; SL, 580M &amp; SM, 585G, 586G, 588G</b>					
	113561A1	AXLE Assembly	Front 4x4 - Complete Assembly	1	
1	144453A1	Housing	Front axle; Used With 144455A1 and 144456A1 No Longer Available, Order 402357A1 Housing	1	201
1	402357A1	Housing, Axle	Front Axle; Used With 397653A1 and 397654A1 Swivel Housings Which Use 45 x 60 x 16 Seal.	1	
2	D149725	Bushing	Rear Pivot	1	0.7
3	N14367	Seal	Bushing, front and rear	2	0.01
4	D149726	Bushing	Front pivot	1	0.5
5	1966149C1	Breather	Axle housing	1	0.05
6	A156873	Plug, Drain	M22 x 1.5, Housing and Carrier	2	0.1
7	122270A1	Washer	Belleville, upper	2	0.1
8	136990A1	Spacer	WASHER spacer, front axle	2	0.05
9	100522A1	Bushing	Housing	2	0.2
10	1966186C1	Bushing	Housing	2	0.1
11	1966191C1	Seal	30 x 44 x 11 mm Used With 144453A1 Housing, Ref 1 Above	2	0.05
11	85824343	Seal	30 x 44 x 14 mm CV Joint Differential Side; Used With 402357A1 Housing, Ref 1 Above; Replaces 311565A1	2	0.08
12	100520A1	Bushing	BUSHING spherical, two piece, housing, lower	2	0.3
13	122268A1	Washer	Belleville, lower	2	0.05
14	144454A1	Support Assy	CARRIER, differential, Includes: Refs. 14-16 Non-Stock	1	
15	NSS	Screw	Hex Flg, M14 x 75, 12.9, BOLT, Special	4	
16	1966136C1	Bushing	BUSHING centering, carrier Non-Stock	4	
17	1966138C1	Dowel	Dowel, housing to carrier	2	0.1
18	NSS	Screw	Hex Flg, M12 x 33, 12.9, BOLT, Carrier to housing	10	

**KITS AVAILABLE:**

PV720101	Front Axle Parts Kit	Page G24
PV710101	King Pin Kit	Page G24

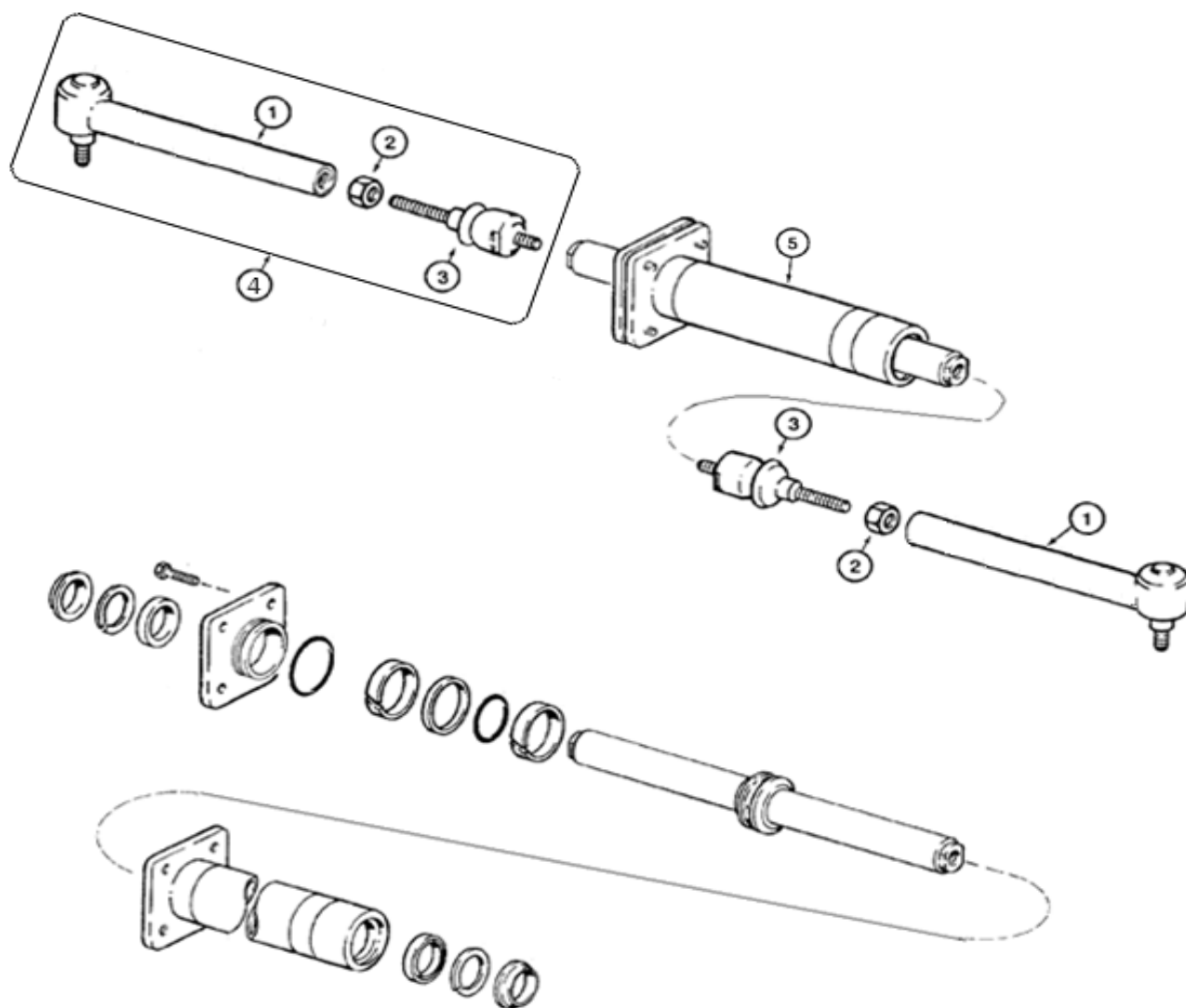




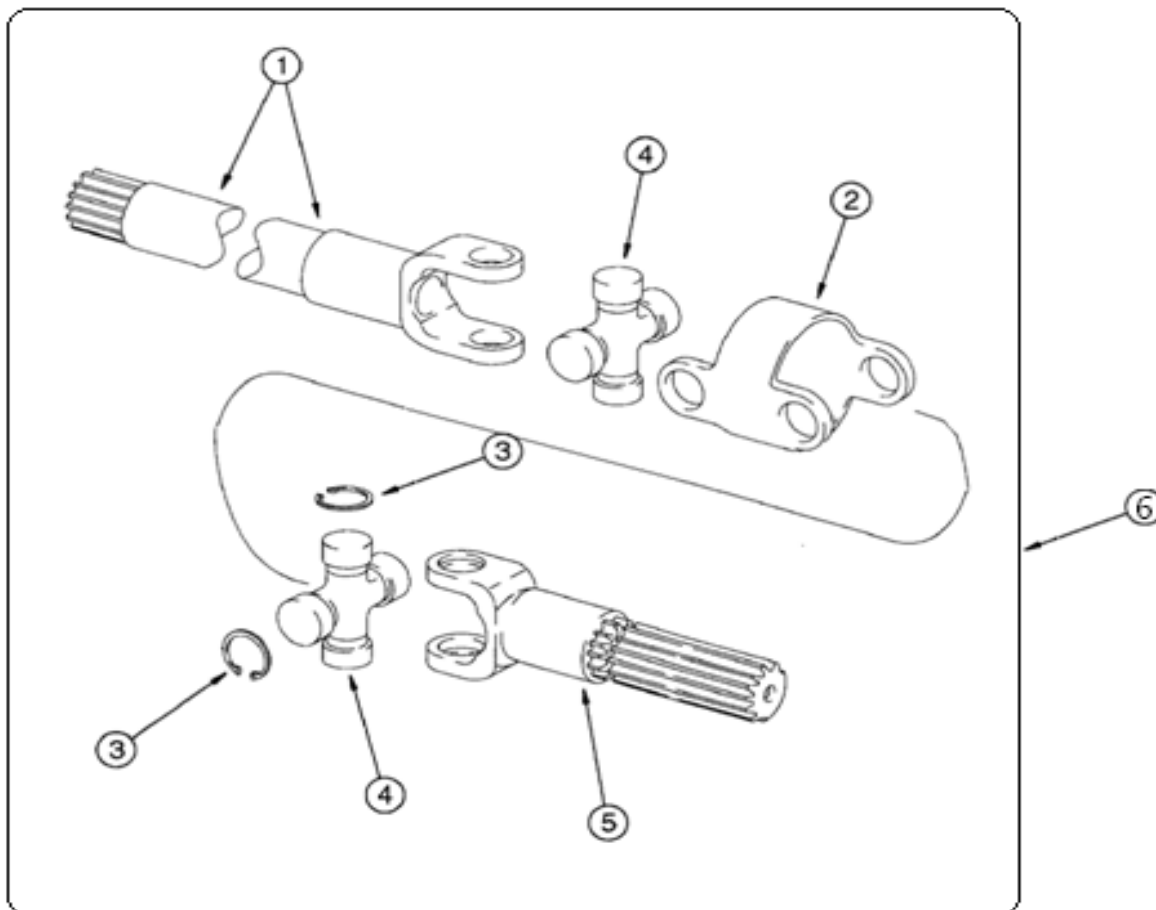
Ref.	Part No.	Description	Notes	Qty.	Wt.
<b>CASE 570L, 580L &amp; SL, 580M &amp; SM, 585G, 586G, 588G</b>					
1	144455A1	Housing L/H	Swivel, left hand; Used With 100529A1 Seal	1	32
1	397653A1	Housing, Axle	Swivel, Left-Hand; Used With 402359A1 Seal	1	33
2	144456A1	Housing R/H	Swivel, right hand; Used With 100529A1 Seal	1	32
2	397654A1	Housing, Axle	Swivel, Right-Hand; Used With 402359A1 Seal	1	33
3	100532A1	Bushing	Swivel housing, used with R/H or L/H swivel housing (not included with housing, order separately)	2	0.2
4	100529A1	Seal, Shaft	45 x 65 x 12; Used With 144455A1, 144456A1 Housings	2	0.1
4	402359A1	Seal	45 x 60 x 16; Used With 397653A1, 397654A1 Housings	2	0.1
5	85805986	Nut	M16,	2	0.05
6	1537664C1	Screw	BOLT, 16 mm, steering stop	2	0.4
7	321204	Nipple, Lube	M6 x 1, 16mm lg, Swivel cap	2	0.01
8	100533A1	Bolt	hex, special, 12-1.75 x 30 mm	16	0.1
9	122265A1	Pin	King, Swivel housing cap, Upper	2	2.2
10	122264A1	Pin	King, Swivel housing cap, Lower	2	2
11	N13505	Nipple, Lube	45 degree, M6 x 1, Special, Swivel cap	2	0.02

**CORNER KITS AVAILABLE:**

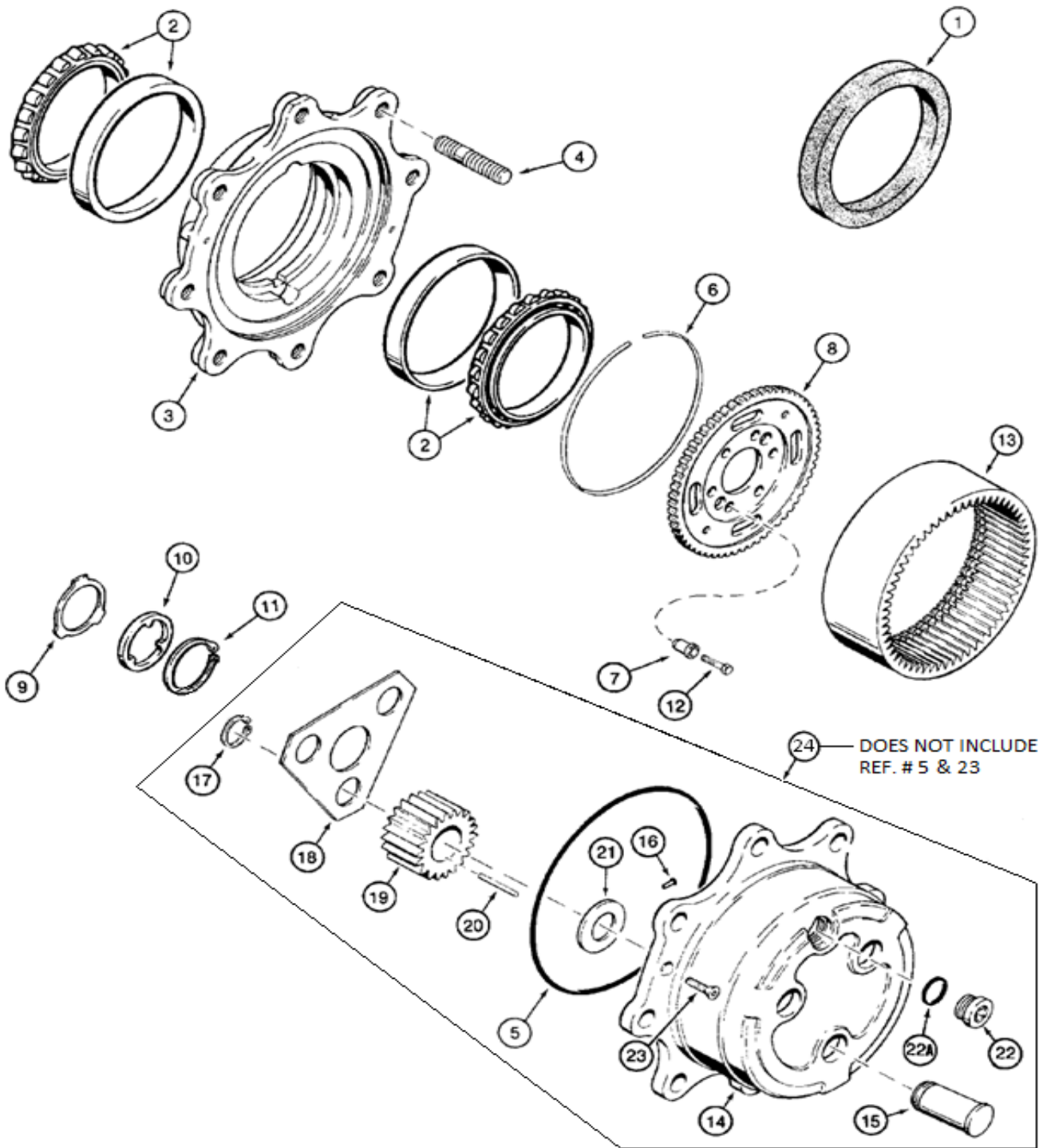
PV700102	CORNER KIT, R/H	Page G23
PV700103	CORNER KIT, L/H	Page G23
PV700102-A	CORNER KIT, R/H (Assembled)	Page G23
PV700103-A	CORNER KIT, L/H (Assembled)	Page G23



Ref.	Part No.	Description	Notes	Qty.	Wt.
<b>CASE 570L, 580L &amp; SL, 580M &amp; SM, 585G, 586G, 588G</b>					
1	350669	Ball Joint		2	3.4
2	934727R1	Nut	Not Sold Separately		
3	112509A1	Ball Joint		2	1.9
4	144457A1	Arm, Steering		2	6
5	144458A1	Cylinder, 4WD		1	29
	D149739	Seal Kit		1	0.05



Ref.	Part No.	Description	Notes	Qty.	Wt.
<b>CASE 570L, 580L &amp; SL, 580M &amp; SM, 585G, 586G, 588G</b>					
6	144461A1	Axle-Shaft, Articulated		2	19
1	144462A1	Shaft		2	10
2	390029A1	Body		2	2.9
3	N14410	Ring		16	0.01
4	144465A1	Spider, U-Joint		4	1
5	144463A1	Shaft		2	4



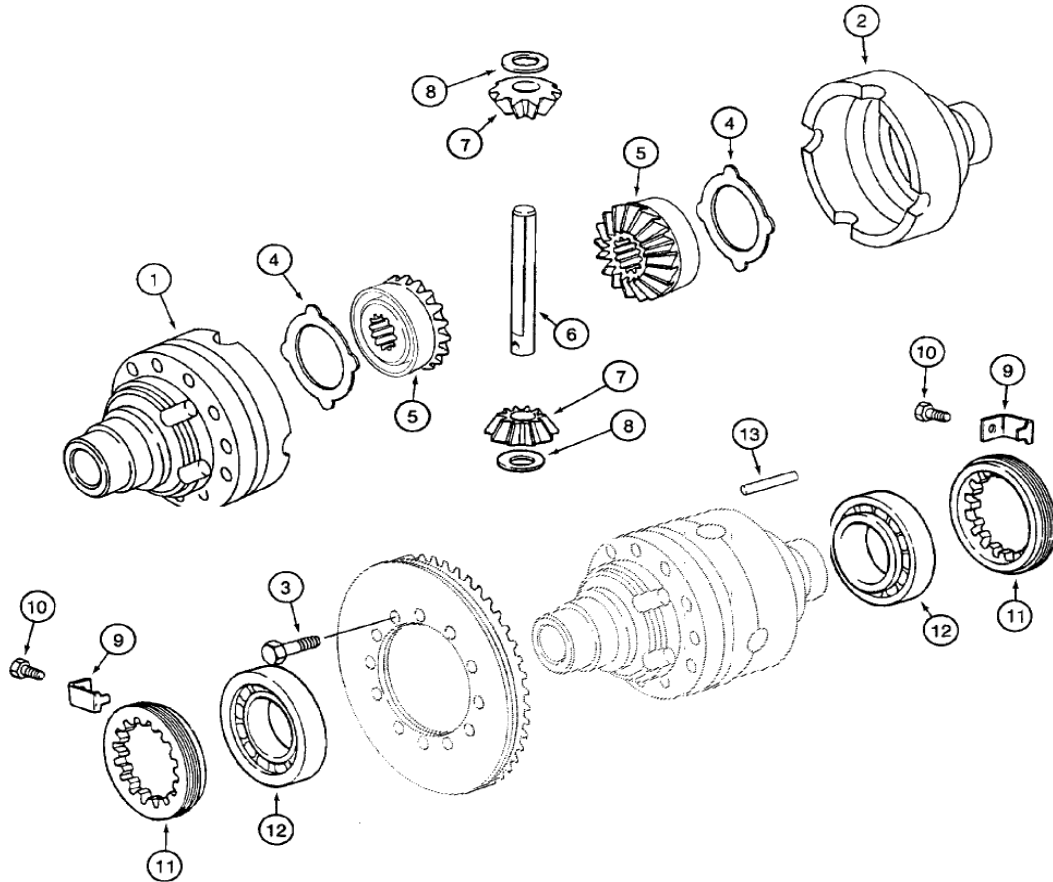
**PLANETARY****CASE 4WD**

Ref.	Part No.	Description	Notes	Qty.	Wt.
<b>CASE 570L, 580L &amp; SL, 580M &amp; SM, 585G, 586G, 588G</b>					
1	311569A1	Seal, Oil	hub; 130 ID x 160 OD x 14 wide Replaces 1984938C1	2	0.6
2	1966169C1	Bearing, cup & cone	tapered roller, hub	4	1.9
3	144466A1	Hub	HUB wheel attaching, Includes: Ref. 4	2	25
4	100556A1	Stud	hub, special	8	0.3
5	100552A1	O-ring	wheel hub	2	0.01
6	100559A1	Ring, Special	backup, wheel hub O-ring	2	0.05
7	116426A1	Bushing	BUSHING carrier	12	0.05
8	116427A1	Gear	CARRIER ring	2	3.4
9	100565A1	Washer, Thrust		2	0.05
10	100550A1	Washer, Thrust		2	0.05
11	A48041	Circlip	RING snap	2	0.01
12	116425A1	Screw	BOLT hex, self locking, special	12	0.1
13	100561A1	Gear	ring, planetary	2	6
14	NSS	Housing	CARRIER, planetary, purchase 100553A1		
15	NSS	Shaft	SHAFT pinion gear, purchase 100553A1		
16	K395093	Pin, Headed	locking	1	0.1
	100553A1	Housing Assy.	CARRIER, planetary, Includes Ref. 14-16	2	22
17	800-1134	Snap Ring	M34, Ext, Retaining	6	0.01
18	100555A1	Plate, Large	RETAINER pinion gear	2	0.3
19	100562A1	Gear, Planetary	pinion	6	1.3
20	114295A1	Kit, 10 Needle Bearings	BEARING needle, planetary gear, packet of 10	9	0.05
21	K395091	Washer, Thrust	Pinion gear, Outer	6	0.05
22	100557A1	Plug, Drain		2	0.2
22A	238-6121	O-ring	-121, 90 Duro, 1.049" ID x .103" Thk,	1	
23	K395082	Screw	Hex Soc Flat Hd, M8 x 20, 10.9, Special, Planetary cover plate	4	0.05
24	100554A1	Pinion Carrier	PLANETARY ASSEMBLY, Includes Ref. 14-22A	2	30

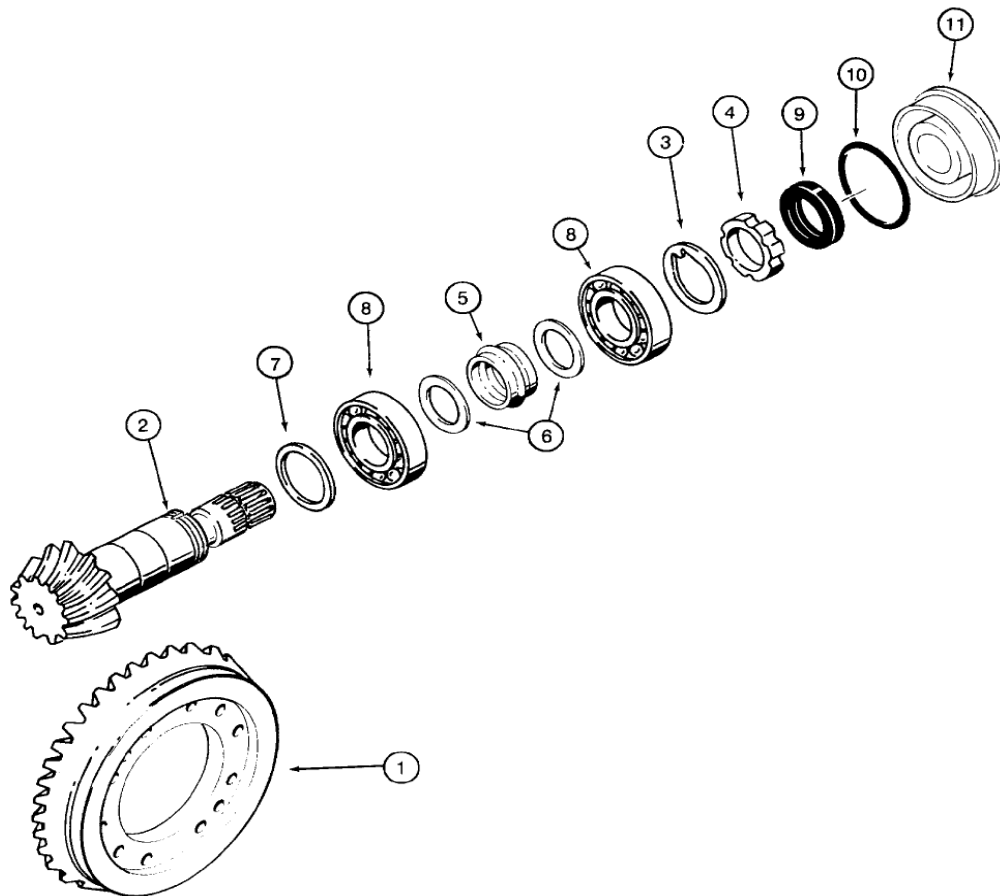
**PLANETARY KITS AVAILABLE:**

PV700101 SMALL PARTS KIT - PLANETARY

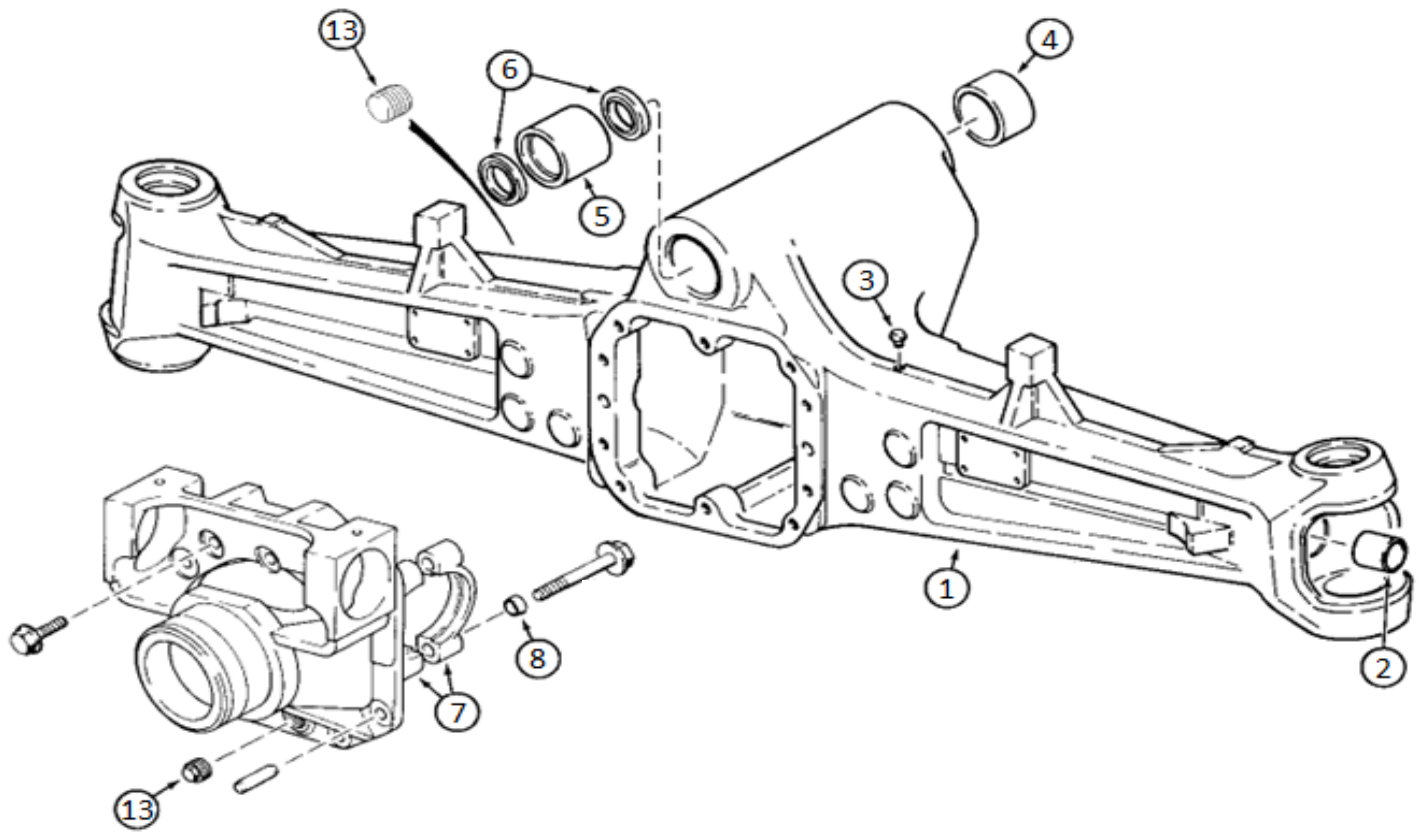
Page G23



Ref.	Part No.	Description	Notes	Qty.	Wt.
<b>CASE 570L, 580L &amp; SL, 580M &amp; SM, 585G, 586G, 588G</b>					
	109686A1	Housing	Differential, Incl. Ref. 1 & 2	1	
1	NSS	NSS	HOUSING differential, flange half	1	
2	NSS	NSS	HOUSING differential, plain half	1	
3	827-10075	Bolt	Hex, M10 x 75, 10.9,	12	
4	1967003C1	Washer, Thrust	differential housing	2	0.05
5	N14407	Gear	side, differential	2	1.7
6	K395087		Pinion gear	1	0.8
7	N14408	Sun Gear	pinion, differential	2	0.4
8	K395075	Washer, Thrust	Pinion gear	2	0.01
9	1966153C1	Plate, Locking	BRACKET lock	2	0.05
10	112486A1	Screw, Lock	Hex, M6 x 12, Special	2	0.02
11	1966559C1	Ring, Locking		2	0.4
12	K395027	Tapered Roller Bearing	Differential	2	1.2
13	K395086	Pin (No Longer Available)	for service order p/n 231397A1	1	0.05
	231397A1	Kit, Service	Gear, Differential, Service replacement (Includes Ref. 5-8, 13)	1	6

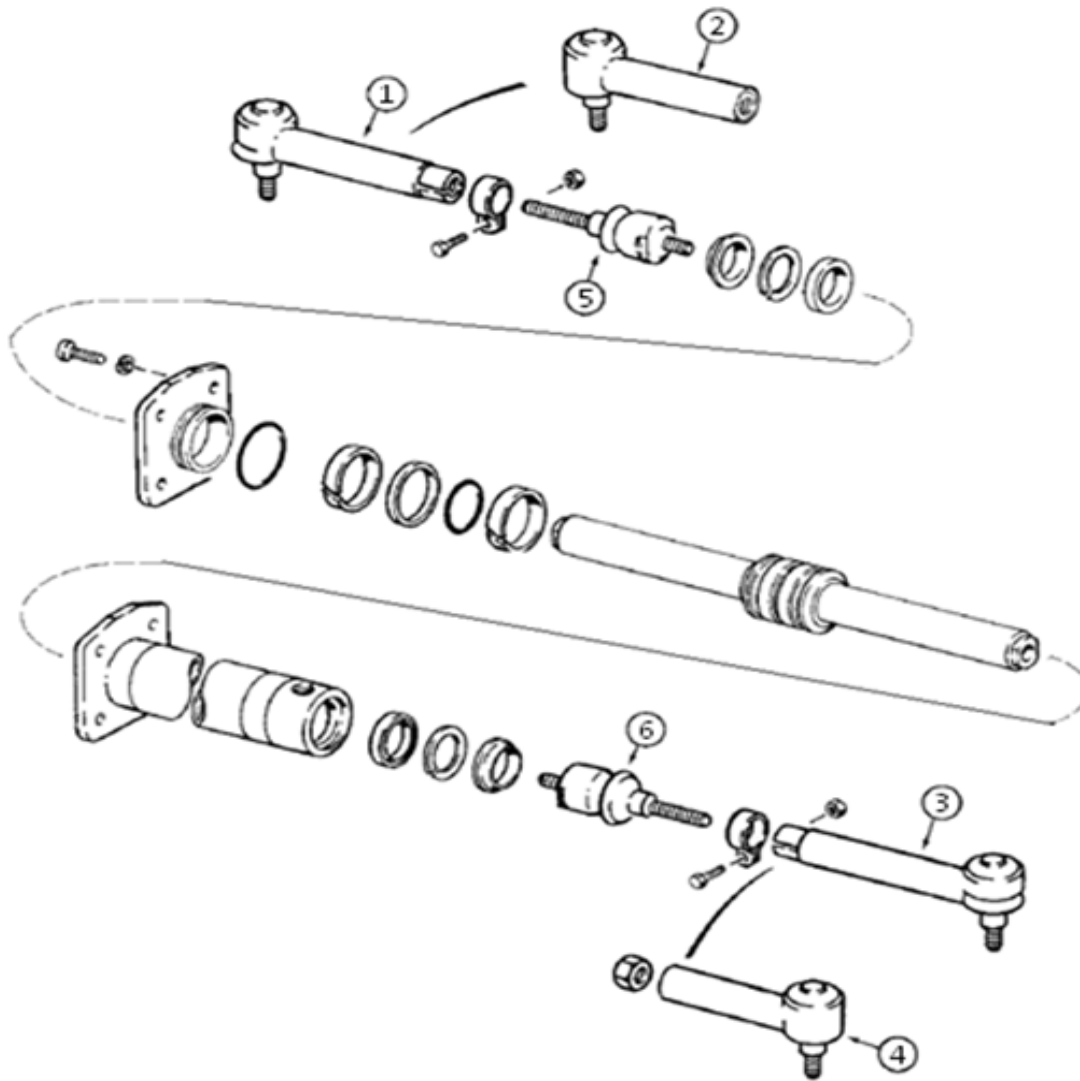


Ref.	Part No.	Description	Notes	Qty.	Wt.
<b>CASE 570L, 580L &amp; SL, 580M &amp; SM, 585G, 586G, 588G</b>					
1-6	144460A1	Gear Set	Ring and pinion, 113561A1 axle without powershift transmission	1	16
1	NSS	GEAR ring	Available in 144460A1 Gear Set Only	1	
2	NSS	GEAR pinion	Available in 144460A1 Gear Set Only	1	
3	NSS	Washer	Available in 144460A1 Gear Set Only	1	
4	NSS	Nut	Available in 144460A1 Gear Set Only	1	
5	NSS	Spacer	Available in 144460A1 Gear Set Only	1	
6	NSS	Washer	Available in 144460A1 Gear Set Only	2	
7	140954A1	Shim	2.50mm Th, (0.098") Non-Stock	UAR	
7	140951A1	Shim	2.70mm Th (0.106") Non-Stock	UAR	
7	140949A1	Shim	2.80mm Th (0.110") Non-Stock	UAR	
7	140943A1	Shim	3.00mm Th (0.118") Non-Stock	UAR	
7	140944A1	Shim	3.10mm Th (0.122") Non-Stock	UAR	
7	140946A1	Shim	3.30mm Th (0.129") Non-Stock	UAR	
8	K395090	Tapered Roller Bearing	Pinion gear	2	1.6
9	K262143	Seal	oil	1	0.1
10	238-5152	O-ring	-152, 70 Duro, 3.237" ID x .103" Th	1	0.01
11	128570A1	Flange	COVER differential	1	1.4

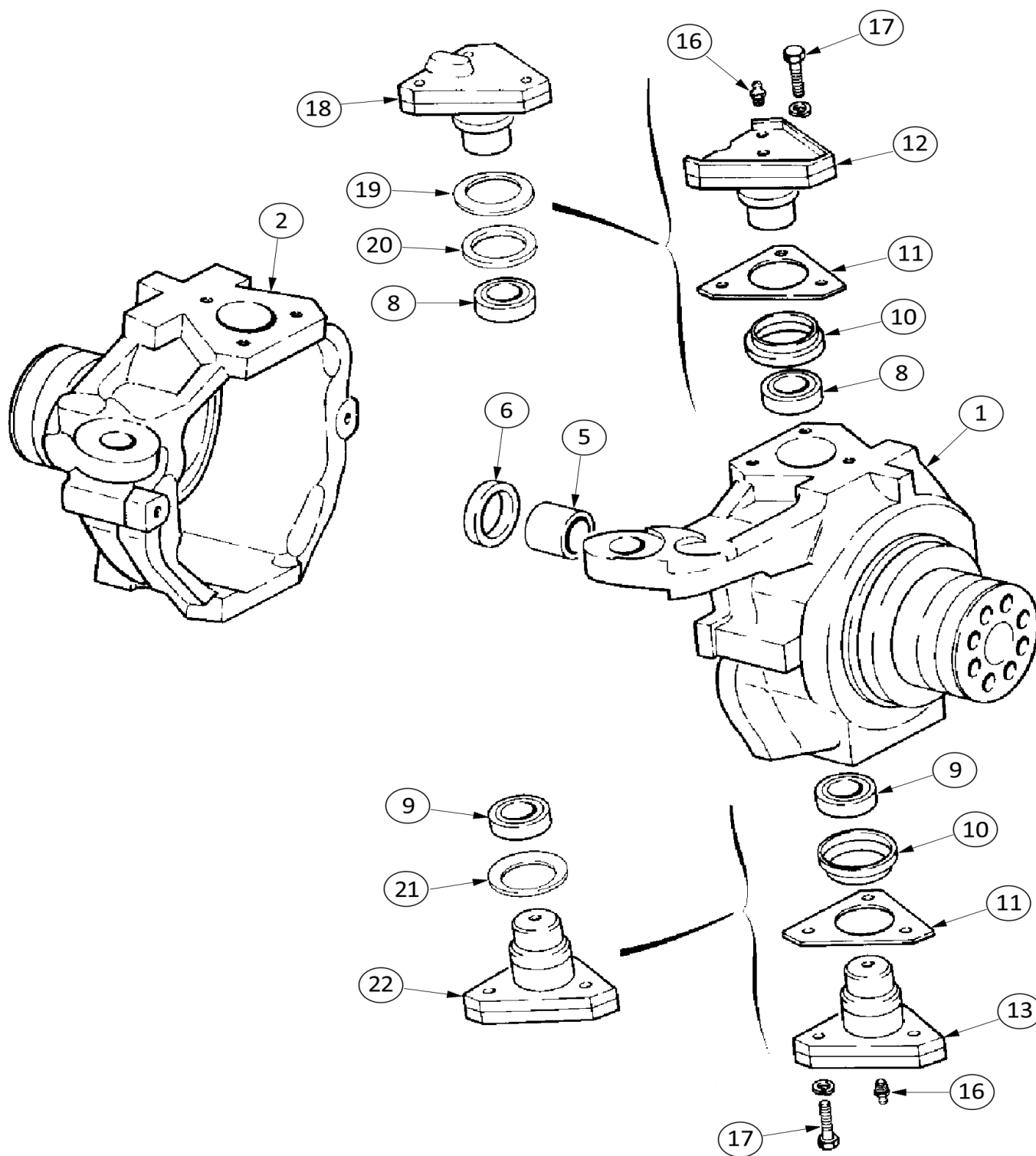


Ref.	Part No.	Description	Notes	Qty.	Wt.
<b>CASE 580K s/n JYG0020000 and newer, 580SK, 590</b>					
1	D149727	Housing	HOUSING front axle	1	270
2	K395019	Bushing	BUSHING housing	2	
3	1966149C1	Breather	BREATHER axle housing, replaces K965231 breather	1	0.05
4	D149726	Bushing	BUSHING front pivot - 580SK Only	1	0.5
5	D149725	Bushing	BUSHING rear pivot - 580SK Only	1	0.7
6	N14367	Seal	SEAL rear bushing	2	0.01
	D149714	Support	CARRIER ASSEMBLY differential, for 3-1/32 inch 77 mm, OD steering cylinder, Includes 7, 8 and 9	1	
7	NSS	NSS	CARRIER differential, order D149714 Carrier Assembly	1	
8	1966136C1	Ring	BUSHING centering, carrier Non-Stock	4	
13	A156873	Plug	PLUG, DRAIN, M22 x 1.5	1-2	0.1





Ref. Part No.	Description	Notes	Qty.	Wt.
<b>CASE 580K s/n JG0020000 and newer, 580SK, 590</b>				
D149729	Steering Cylinder	CYLINDER steering, order D149739 kit to service seals, No Longer Available	1	28
1	NSS	NSS	1	
2	126144A1	Ball Joint - 580SK, 590	1	4.5
2	N14402	Ball Joint - 580K	1	5.1
3	NSS	NSS	1	
4	126145A1	Ball Joint - 580SK, 590	1	4.4
4	N14379	Ball Joint - 580K	1	5.1
5	N14388	Ball Joint	1	2.9
6	N14377	Articulation	1	3
D149739	Seal Kit	KIT seal, steering cylinder (for rod, gland, and piston)	1	0.05



**KING PIN KITS AVAILABLE**

**PV710103 KING PIN KIT**

**PAGE G25**

**PV710105 KING PIN KIT**

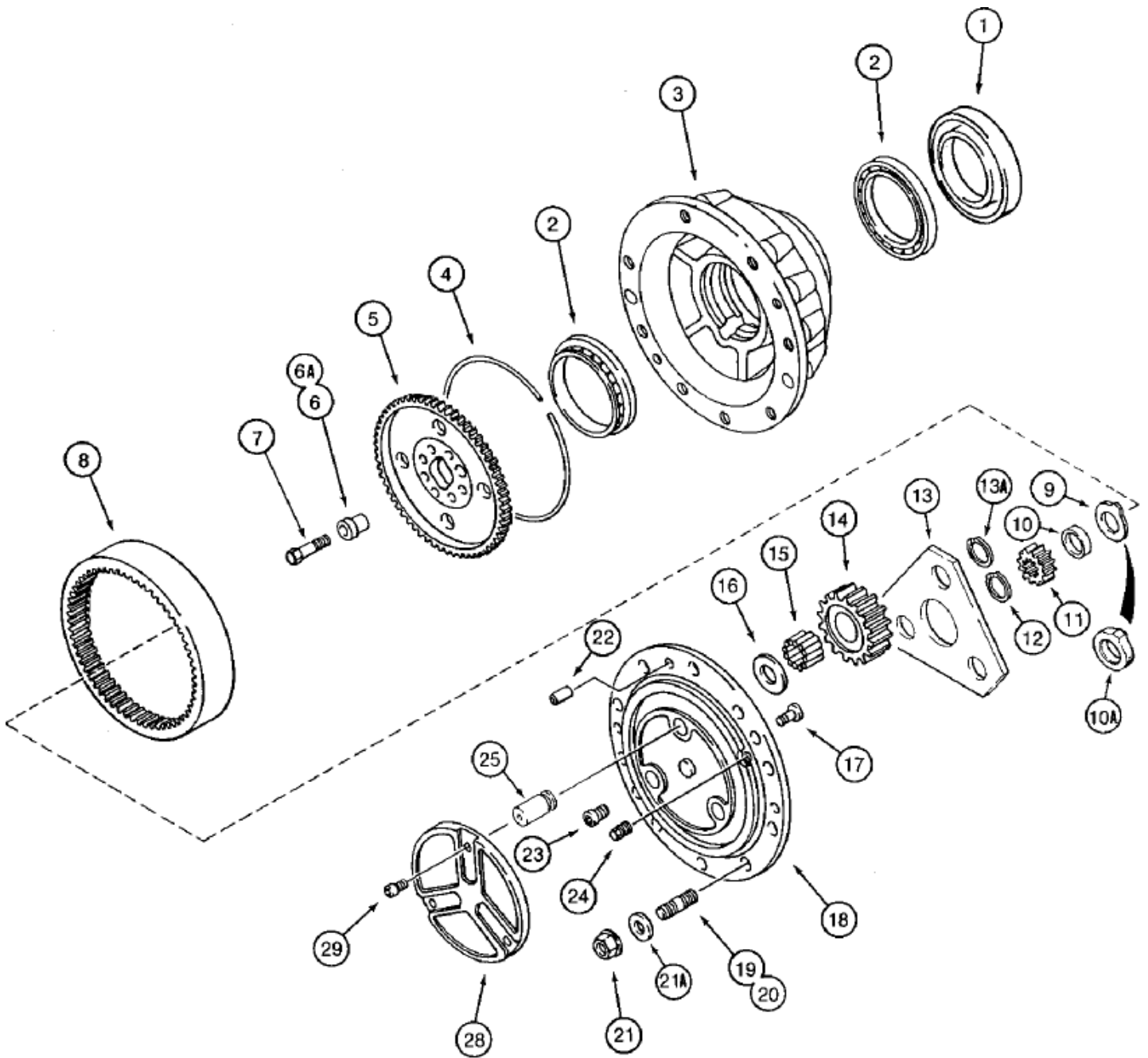
**PAGE G25**

# SWIVEL HOUSING

# CASE 4WD

Ref.	Part No.	Description	Notes	Qty.	Wt.
<b>CASE 580K s/n JJG0020000 and newer, 580SK, 590</b>					
1	D150204	Housing R/H	HOUSING swivel R/H, replaces N14375 housing	1	44
2	D150203	Housing L/H	HOUSING swivel L/H, replaces N14374 housing	1	
5	1967535C1	Bushing	BUSHING swivel housing, replaces K395033 bushing	2	0.1
6	K262143	Seal	SEAL oil, swivel housing	2	0.1
8	N14372*	Bushing	BEARING swivel cap, upper	2	0.3
9	N14373	Bearing	BEARING swivel cap, lower, two-piece bearing	2	0.4
10	K395039	Seal	SEAL bearing (Used on axles prior to Carraro serial number CAR/4253)	4	0.01
11	K395036	Shim	.10mm Th, Swivel cap (Used on axles prior to Carraro serial number CAR/4253)	UAR	0.01
11	K395037	Shim	.19mm Th, Swivel cap (Used on axles prior to Carraro serial number CAR/4253)	UAR	0.01
11	K395038	Shim	.35mm Th, Swivel cap (Used on axles prior to Carraro serial number CAR/4253)	UAR	0.01
12	N14376*	King Pin, Upper	swivel housing cap, upper	2	2.9
13	N13504	King Pin, Lower	swivel housing cap, lower (Used on axles prior to Carraro serial number CAR/4253)	2	3
16	321204	Lube, Nipple	M6 x 1, 16mm lg, Swivel cap, Replaces K965246 fitting	4	0.01
17	D150214	Screw	BOLT hex, self-locking, 14 - 2 x 35 mm, special, if used	12	0.1
18	122260A1	King Pin, Upper	swivel housing cap, upper (Used on axles Carraro s/n CAR/4253 and after)	2	2.9
19	122262A1	Washer, Belleville	upper (Used on axles Carraro s/n CAR/4253 and after)	2	0.1
20	144611A1	Spacer, NSS	bearing to upper king pin, NSS now included in N14372 bushing (Used on axles Carraro s/n CAR/4253 and after)	2	0.05
21	122261A1	Washer, Belleville	lower (Used on axles Carraro s/n CAR/4253 and after)	2	0.05
22	122259A1	King Pin, Lower	swivel housing cap, lower (Used on axles Carraro s/n CAR/4253 and after)	2	2.6

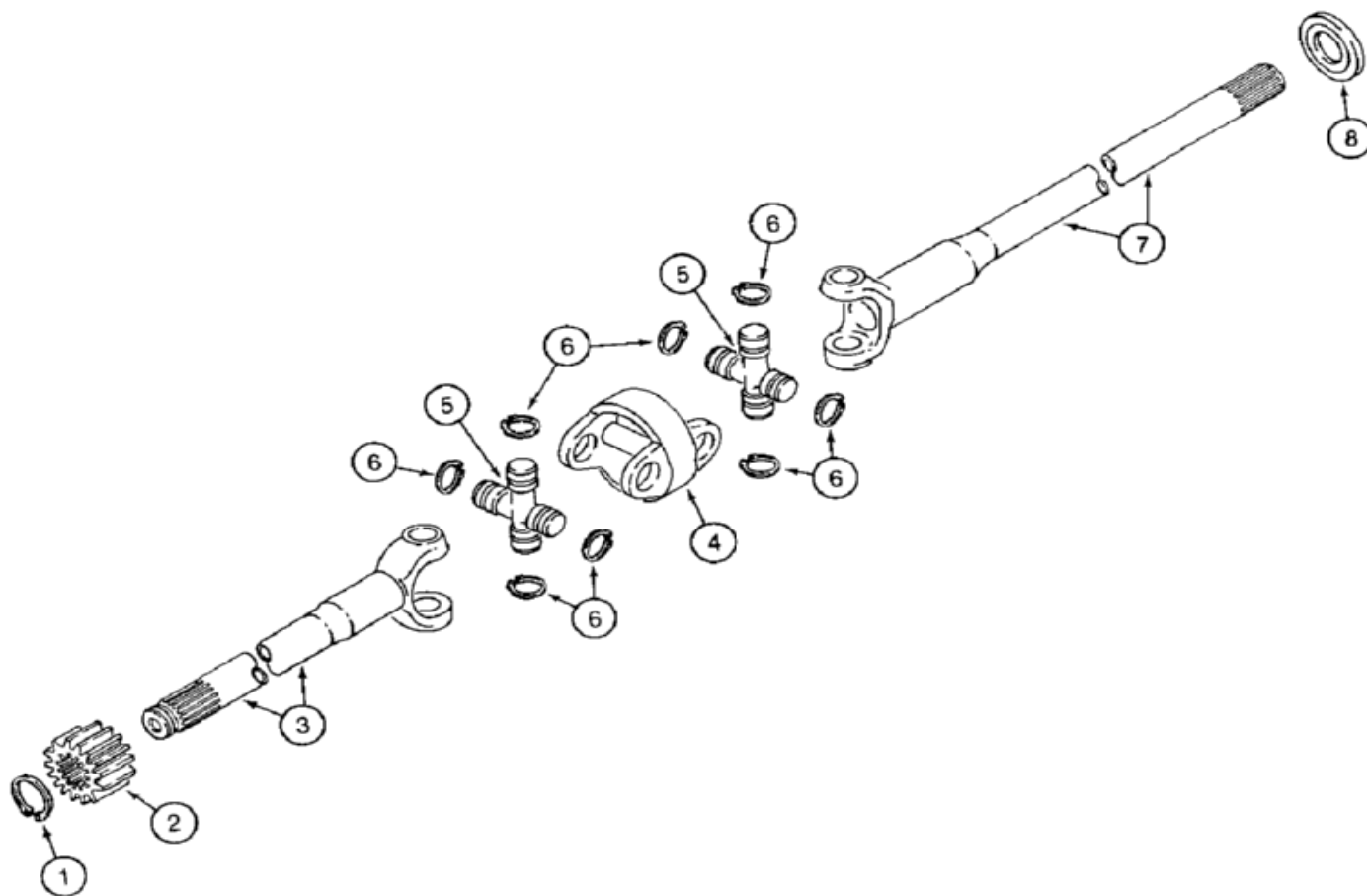
**\*If swivel housing has a two-piece upper bearing, both N14372 upper bearing and N14376 upper king pin must be ordered**



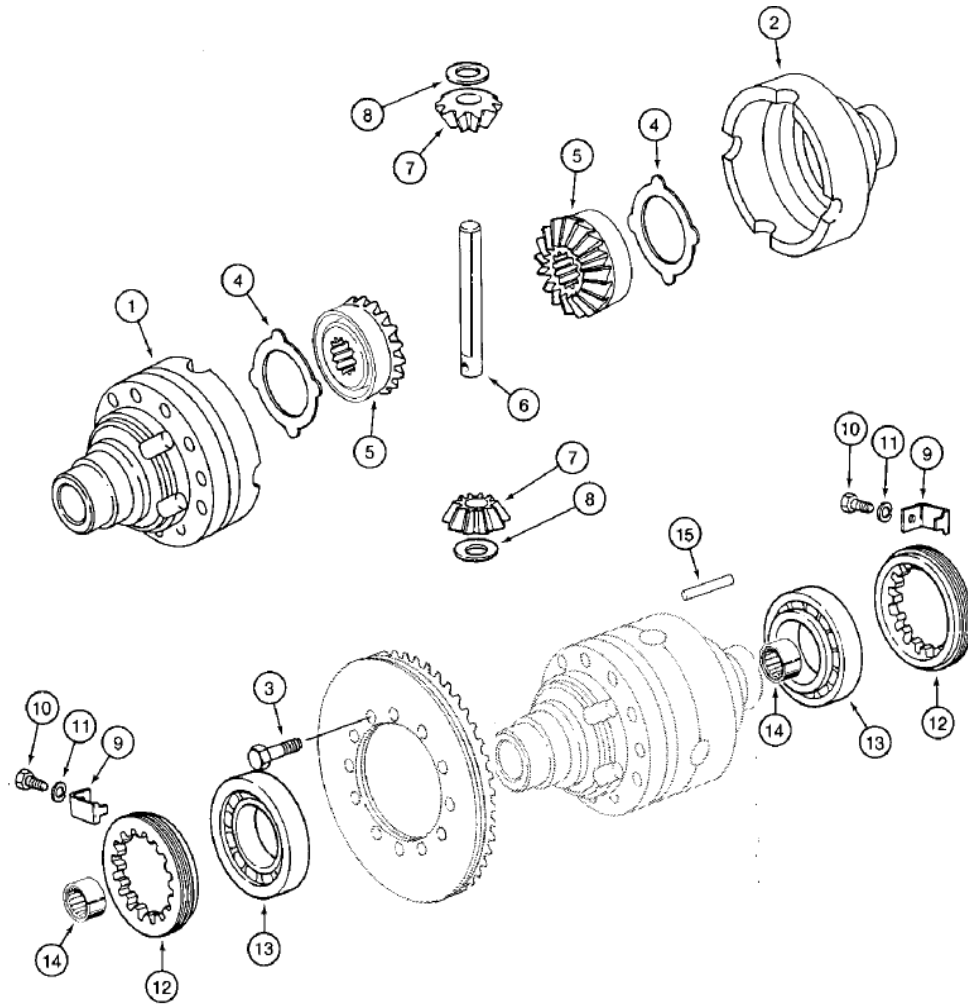
**PLANETARY**

**CASE 4WD**

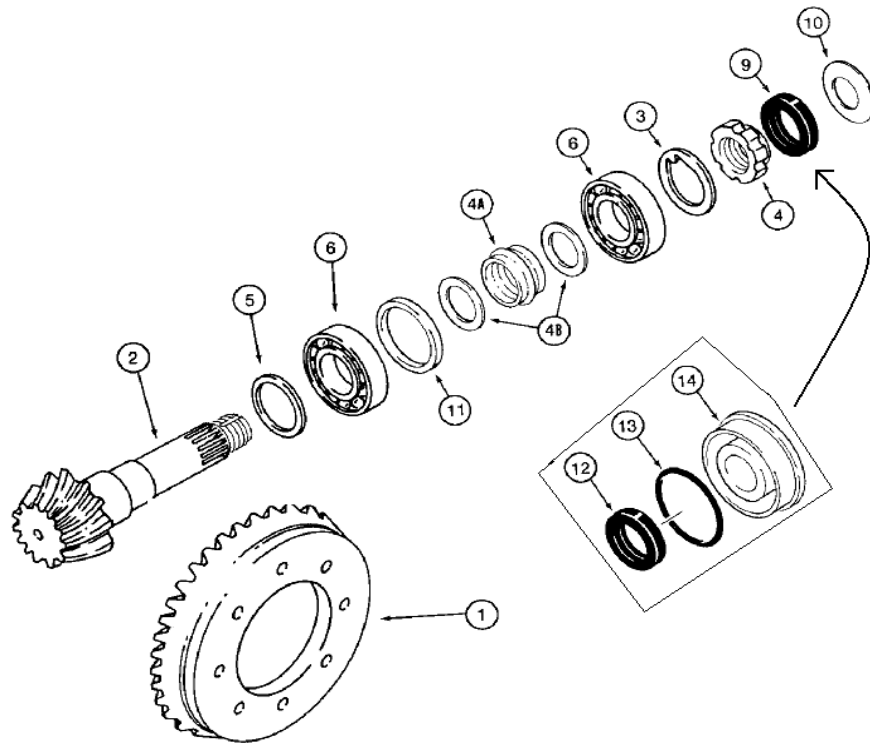
Ref.	Part No.	Description	Notes	Qty.	Wt.
<b>CASE 580K s/n JIG0020000 and newer, 580SK, 590</b>					
1	1349265C1	Seal	SEAL oil, hub, 149 x 176 x 16	2	0.7
2	K395101	Tapered Roller Bearing	BEARING ball, hub	4	2.8
3	K395123	Hub	Non-Stock	2	
4	H437679	Snap Ring	Non-Stock	2	
5	H437678	Ring, Flywheel	Non-Stock	2	
6	K395105	Bushing	BUSHING	6	0.1
6A	107072A1	Centering Ring	BUSHING - (Replaces K395104)	2	0.2
7	K395131	Screw	BOLT, Hex, M14 x 65, Cl 10.9, Special	8	0.2
8	H437677	Ring, Gear	Non-Stock	2	
9	K395115	Washer	Non-Stock	2	
10	K395121	Spacer	Non-Stock	2	
10A	107073A1	Washer	Non-Stock	2	
11	K395114	Gear	GEAR pinion, axle shaft	2	0.7
12	K261897	Snap Ring	Non-Stock	2	
13	K395122	Plate	Non-Stock	2	
13A	K395028	Snap Ring	Non-Stock	6	
14	K395110	Gear	GEAR pinion, planetary	6	2
	N13513	Gear	GEAR pinion, planetary , 580K		2.3
15	N13514	Needle Bearing Kit	BEARING needle, planetary gear, replaces K395092 (1 pkg. contains 10 bearings)	180	0.05
16	K395091	Washer	WASHER, THRUST, Pinion gear, Outer	6	0.05
17	K395093	Headed Pin	PIN lock, planetary cover	2	0.1
18	K395111	Pinion Carrier	COVER planetary (No Longer Available) order K262251 and N13515, Ref. 18A and 20	2	
18A	K262251	Pinion Carrier	Non-Stock	2	
19	K260218	Stud	STUD special, without collar	12	0.3
20	N13515	Stud	STUD special, with collar, for recessed bolt holes	4	0.3
21	K395089	Nut	Non-Stock	16	
21A	K395083	Washer	Non-Stock	16	
22	K395094	Dowel	DOWEL, M18 x 36, Pin, Planetary cover	4	0.2
23	K395029	Screw	SCREW special, planetary cover	4	0.05
24	A156873	Plug, Drain	PLUG, DRAIN, M22 x 1.5	2	0.1
25	K395124	Shaft - 580SK Only	Non-Stock	6	
28	K395135	Cover	Non-Stock	2	
29	K3950982	Screw	SCREW, Hex Soc Flat Hd, M8 x 20, 10.9, Special, Planetary cover plate	6	0.05



Ref.	Part No.	Description	Notes	Qty.	Wt.
1	K261897	Snap Ring	Non-Stock	2	
2	K395114	Gear	GEAR pinion, axle shaft	2	0.7
3	N14409	Shaft	SHAFT axle, wheel side, short	2	3.2
4	N14412	Body	Non-Stock	2	
5	N14411	U-joint Spider	JOINT universal, axle shaft, cross	4	1
6	N14410	Ring	RING snap, universal joint	16	0.01
7	D149735	Shaft	Non-Stock	2	
8	1966164C1	Seal	Replaces K395103 seal	2	0.1



Ref.	Part No.	Description	Notes	Qty.	Wt.
<b>CASE 580K s/n JYG0020000 and newer, 580SK, 590</b>					
	109686A1	Housing Assy.	HOUSING ASSEMBLY differential, replaces 1349056C1 housing, Includes Ref. 1 and 2 Non-Stock	1	
1	NSS	NSS	HOUSING differential, flange half	1	
2	NSS	NSS	HOUSING differential, plain half	1	
3	827-10075	Bolt	BOLT - hex, 10 - 1.5 x 75 mm, class 10.9	12	
4	1967003C1	Washer	Non-Stock	2	0.05
5	N14407	Gear	GEAR side, differential	2	1.7
6	K395087	Shaft	SHAFT - Pinion gear	1	0.8
7	N14408	Sun Gear	GEAR pinion, differential	2	0.4
8	K395075	Washer	WASHER, THRUST, Pinion gear	2	0.01
9	K261869	Lock	CLIP Non-Stock	2	
10	614-6012	Bolt	BOLT, Hex, M6 x 12, 8.8 Non-Stock	2	
11	892-11006	Lock Washer	WASHER, LOCK, M6 Non-Stock	2	
12	1966559C1	Locking Ring	RING, LOCKING, Replaces K261868 ring	2	0.4
13	K395027	Tapered Roller bearing	BEARING, ROLLER, TAPERED, Differential	2	1.2
14	1967625C1	Bushing	BUSHING housing	2	
16	K395086	Pin	PIN dowel	1	0.05



Ref.	Part No.	Description	Notes	Qty.	Wt.
<b>CASE 580K s/n JIG0020000 and newer, 580SK, 590</b>					
	D149266	Bevel Gear	GEAR SET ring & pinion (Includes Ref. 1 - 4B, 11)	1	
1	NSS	GEAR, ring	Not Serviced Separately	1	
2	NSS	GEAR, pinion	Not Serviced Separately	1	
3	K261065	Washer	WASHER special, replaces N7536, NSS	1	
4	K261014	Nut	RING nut pinion gear, replaces K261852 ring, NSS	1	
4A	1349058C1	Spacer	SPACER collapsible, NSS	1	
4B	1349059C1	Washer	WASHER spacer, NSS	2	
5	K965282	Shim	SHIM, 2.60mm Th Non-Stock	UAR	
5	K965284	Shim	SHIM, 2.70mm Th Non-Stock	UAR	
5	K965288	Shim	SHIM, 2.90mm Th Non-Stock	UAR	
5	K965290	Shim	SHIM 3.00 mm Th Non-Stock	UAR	
5	K965294	Shim	SHIM, 3.20mm Th Non-Stock	UAR	
5	K965298	Shim	SHIM, 3.40mm Th Non-Stock	UAR	
6	K395090	Bearing	BEARING, ROLLER, TAPERED, Pinion gear	2	
9	D149731	Oil Seal	Replaced by items 12, 13 & 14	1	
10	D149732	Shroud	COVER differential, does not require an O-ring, used with Ref. 9, D149731, if used Non-Stock	1	
11	N14405	Spacer	SPACER bearing cup, NSS, included with D149266 gear	1	
12	K262143	Seal	SEAL oil, used with Ref. 14, 128570A1 cover	1	0.1
13	238-5152	O-ring	O-RING, -152, 70 Duro, 3.237" ID x .103" Thk	1	0.01
14	128570A1	Flange	COVER differential	1	1.4



**PV700102 CORNER KIT - RIGHT**

MUO:	1	397654A1	SWIVEL HOUSING	G7 REF. 2
570L	1	100532A1	BUSHING	G7 REF. 3
580L & SL	1	402359A1	SEAL	G7 REF. 4
580M & SM	1	144466A1	HUB	G11 REF. 3
585G	1	100553A1	HOUSING ASSEMBLY	G11 REF. 14-16
586G	1	100552A1	O-RING	G11 REF. 5
588G	2	1966169C1	BEARING - CUP & CONE ASSY	G11 REF. 2
	1	311569A1	SEAL	G11 REF. 1
	1	100561A1	RING GEAR	G11 REF. 13
	3	100562A1	PLANETARY GEAR	G11 REF. 19
	1	PV700101	SMALL PARTS KIT - PLANETARY	LISTED BELOW

**PV700102-A CORNER KIT, R/H (ASSEMBLED) IN STOCK**

**PV700103 CORNER KIT - LEFT**

MUO:	1	397653A1	SWIVEL HOUSING	G7 REF. 1
570L	1	100532A1	BUSHING	G7 REF. 3
580L & SL	1	402359A1	SEAL	G7 REF. 4
580M & SM	1	144466A1	HUB	G11 REF. 3
585G	1	100553A1	HOUSING ASSEMBLY	G11 REF. 14-16
586G	1	100552A1	O-RING	G11 REF. 5
588G	2	1966169C1	BEARING - CUP & CONE ASSY	G11 REF. 2
	1	311569A1	SEAL	G11 REF. 1
	1	100561A1	RING GEAR	G11 REF. 13
	3	100562A1	PLANETARY GEAR	G11 REF. 19
	1	PV700101	SMALL PARTS KIT - PLANETARY	LISTED BELOW

**PV700103-A CORNER KIT, L/H (ASSEMBLED) IN STOCK**

**PV700101 SMALL PARTS KIT - PLANETARY**

MUO:	1	238-6121	O-RING	G11 REF. 22A
570L	3	800-1134	SNAP RING	G11 REF. 17
580L & SL	3	K395091	WASHER	G11 REF. 21
580M & SM	2	1966169C1	BEARING - CUP & CONE ASSY	G11 REF. 2
585G	1	100555A1	PLATE, LARGE	G11 REF. 18
586G	1	100559A1	SNAP RING	G11 REF. 6
588G	1	100550A2	WASHER	G11 REF. 10
	1	100565A1	WASHER	G11 REF. 9
	6	116426A1	BUSHING	G11 REF. 7
	1	116427A1	GEAR	G11 REF. 8
	6	116425A1	SCREW	G11 REF. 12
	2	K395082	SCREW	G11 REF. 23
	9	114295A1	NEEDLE BEARING KIT, PACK OF 10	G11 REF. 20
	1	100552A1	O-RING	G11 REF. 5
	1	311569A1	SEAL	G11 REF. 1
	1	A48041	SNAP RING	G11 REF. 11

**PV720101 FRONT AXLE PARTS KIT**

MUO:	1	1966149C2	BREATHER	G6 REF. 5
570L	2	1966186C1	BUSHING	G6 REF. 10
580L & SL	2	N14367	SEAL - OIL	G6 REF. 3
580M & SM	2	85824343	SEAL	G6 REF. 11
585G	1	D149725	BUSHING	G6 REF. 2
586G	1	D149726	BUSHING	G6 REF. 4
588G	2	5194168	PIN, Roll	NSS

**PV710101 KING PIN KIT**

MUO:	1	1966186C1	BUSHING	G6 REF. 10
570L	1	1966191C1	SEAL	G6 REF. 11
580L & SL	1	122270A1	WASHER, UPPER	G6 REF. 7
580M & SM	1	85824343	SEAL	G6 REF. 11
585G	8	100533A1	BOLT	G7 REF. 8
586G	1	122268A1	WASHER, LOWER	G6 REF. 13
588G	1	122264A1	KING PIN, LOWER	G7 REF. 10
	1	122265A1	KING PIN, UPPER	G7 REF. 9
	1	100522A1	BUSHING	G6 REF. 9
	1	321204	GREASE FITTING	G7 REF. 7
	1	N13505	GREASE FITTING	G7 REF. 11
	1	100520A1	BUSHING	G6 REF. 12

**PV710107 KING PIN KIT**

MUO:	1	122270A1	WASHER, UPPER
580M	4	100533A1	BOLT
SERIES 2	1	N14373	BEARING
	1	122261A1	WASHER, BELLEVILLE
	1	122259A1	KING PIN, LOWER
	1	122265A1	KING PIN, UPPER
	1	100522A1	BUSHING
	1	N13505	GREASE FITTING
	1	321204	GREASE FITTING
	1	401059A1	BEARING, CUP & CONE
	1	D150214	BOLT

**PV710103 KING PIN KIT**

MUO:	1	1967535C1	BUSHING	G17 REF. 5
580K	1	K262143	SEAL	G17 REF. 6
580SK	2	K395039	SEAL	G17 REF. 10
s/n -CAR/4253	1	N13504	KING PIN - LOWER	G17 REF. 13
590	1	N14376	KING PIN - UPPER	G17 REF. 12
s/n -CAR/4253	1	N14372	BUSHING - UPPER	G17 REF. 8
	1	N14373	BEARING	G17 REF. 9
	6	D150214	BOLT	G17 REF. 17
	6	K965248	WASHER - LOCK	G17 REF. 15
	2	321204	LUBE, NIPPLE	G17 REF. 16
	1	1349265C1	SEAL	G18 REF. 1

**PV710105 KING PIN KIT**

MUO:	1	1967535C1	BUSHING	G17 REF. 5
580SK	1	K262143	SEAL	G17 REF. 6
s/n CAR/4253-	1	122260A1	KING PIN - UPPER	G17 REF. 18
590	1	122259A1	KING PIN - LOWER	G17 REF. 22
s/n CAR/4253-	1	122261A1	WASHER - BELLEVILLE	G17 REF. 21
	1	122262A1	WASHER - BELLEVILLE	G17 REF. 19
	1	N14372	BUSHING	G17 REF. 8
	1	N14373	BEARING	G17 REF. 9
	6	D150214	BOLT	G17 REF. 17
	1	144611A1	SPACER	G17 REF. 20
	2	321204	LUBE, NIPPLE	G17 REF. 16