

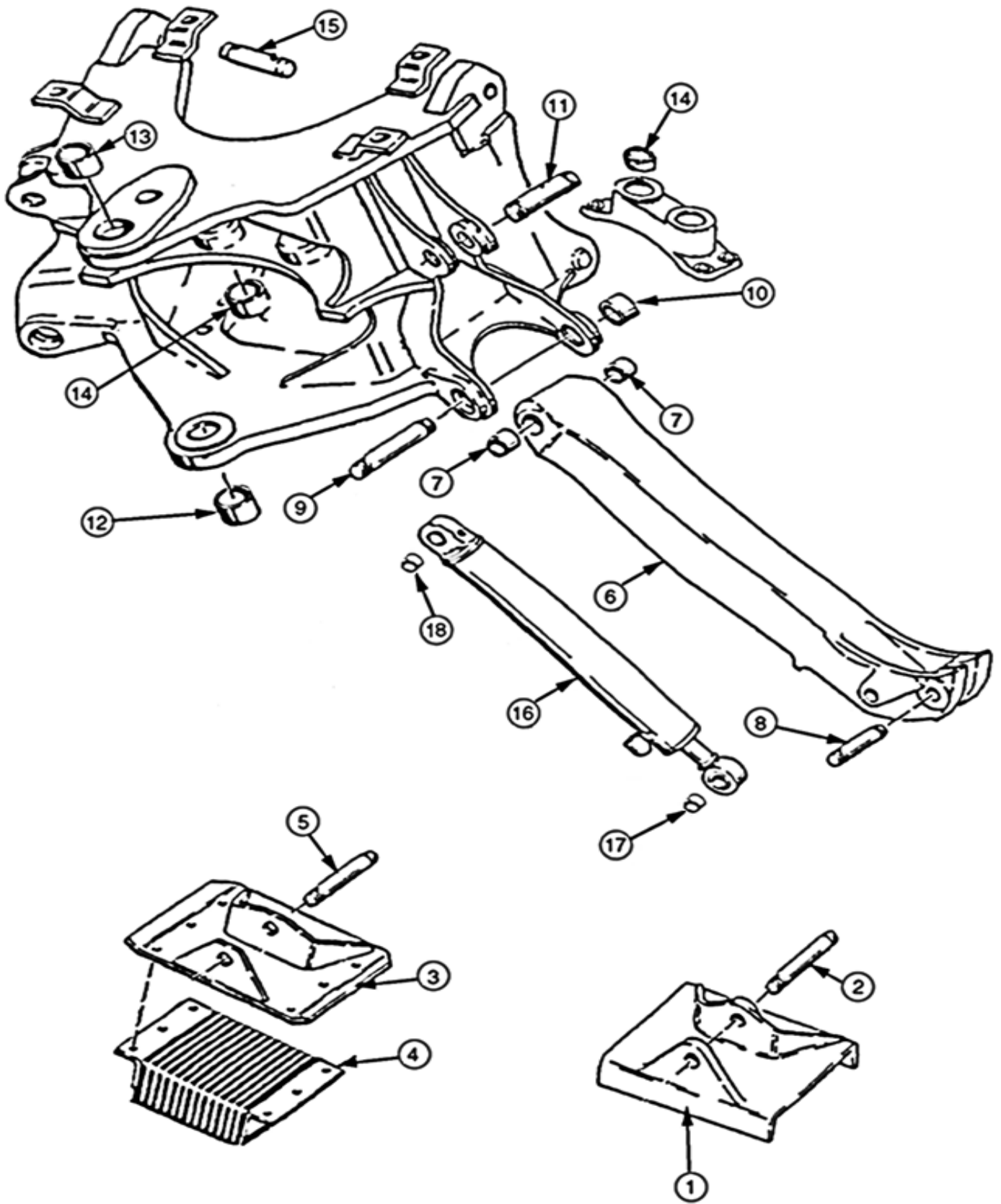


Loader Backhoe
Parts, Links,
Pins & Bushings

SECTION H

BACKHOE PARTS - STABILIZER PARTS, LINKS, PINS, & BUSHINGS

	Page
CASE	
BACKHOE BOOMS	H13-H14
BACKHOE DIPPER ARMS	H17-H19
DIPPER ARMS & BUCKET LINKAGE PARTS	H15-H21
FRONT LOADER PARTS	H22
MOUNTING FRAME & STABILIZER PARTS	H1-H6
STABILIZER LEG	H1-H4
SWING TOWER & BOOM PARTS	H7-H14
CAT	
BUCKET LINKAGE PARTS	H23-H24
JOHN DEERE	
BOOM & DIPPER PARTS	H25, H29-H30
BUCKET LINKAGE PARTS	H26, H31
LOADER BUCKET PINS	H32
STABILIZER & SWING TOWER PARTS	H27-H28, H32



MOUNTING FRAME & STABILIZER PARTS**CASE**

Ref.	Part No.	Description	Notes	Qty.	Wt.
CASE 580B, 580C, 580D, 580E					
1	D88427	Stabilizer Plate	Cleat	2	55
2	D28648	Pin	Stabilizer Plate to Leg - Cleat	2	5.1
3	D142519	Stabilizer Plate	Rubber	2	55
4	D61368	Rubber Pad		2	31
5	D50696	Pin	Stabilizer Plate to Leg - Rubber	2	5
6	446222A1	Stabilizer Leg	580E	2	160
7	D37443	Bushing	Stabilizer Leg 580B, 580C	2	0.8
7	D50146	Bushing	Stabilizer Leg 580D, 580E	2	0.7
8	D50695	Pin	Cylinder to Leg 580B, 580C, 580D 7 3/4" long	2	3.8
8	D26002	Pin	Cylinder to Leg 580D, 580E 7 1/4" long	2	3.6
9	D67308	Pin	Stabilizer Leg to Frame 580B, 580C	2	9
9	D89838	Pin	Stabilizer Leg to Frame 580D, 580E	2	8.6
10	D43940	Bushing	Stabilizer Anchor 580B, 580C	4	0.5
10	D37495	Bushing	Stabilizer Anchor 580D, 580E	4	0.6
11	D29483	Pin	Cylinder to Frame 580B, 580C	2	2.8
11	D32930	Pin	Cylinder to Frame 580D, 580E	2	2.5
12	D31142	Bushing	Frame to Swing Tower, Lower 580B, 580C	1	0.8
12	D90722	Bushing	Frame to Swing Tower, Lower 580D, 580E	1	1.5
13	D30756	Bushing	Frame to Swing Tower, Upper 580B, 580C	1	0.6
13	D90722	Bushing	Frame to Swing Tower, Upper 580D, 580E	1	1.5
14	D60159	Bushing	Swing Cylinder Mount	4	0.6
15	D49812	Pin	Backhoe Mount, Lower	4	2.6

CASE 580B, 580C

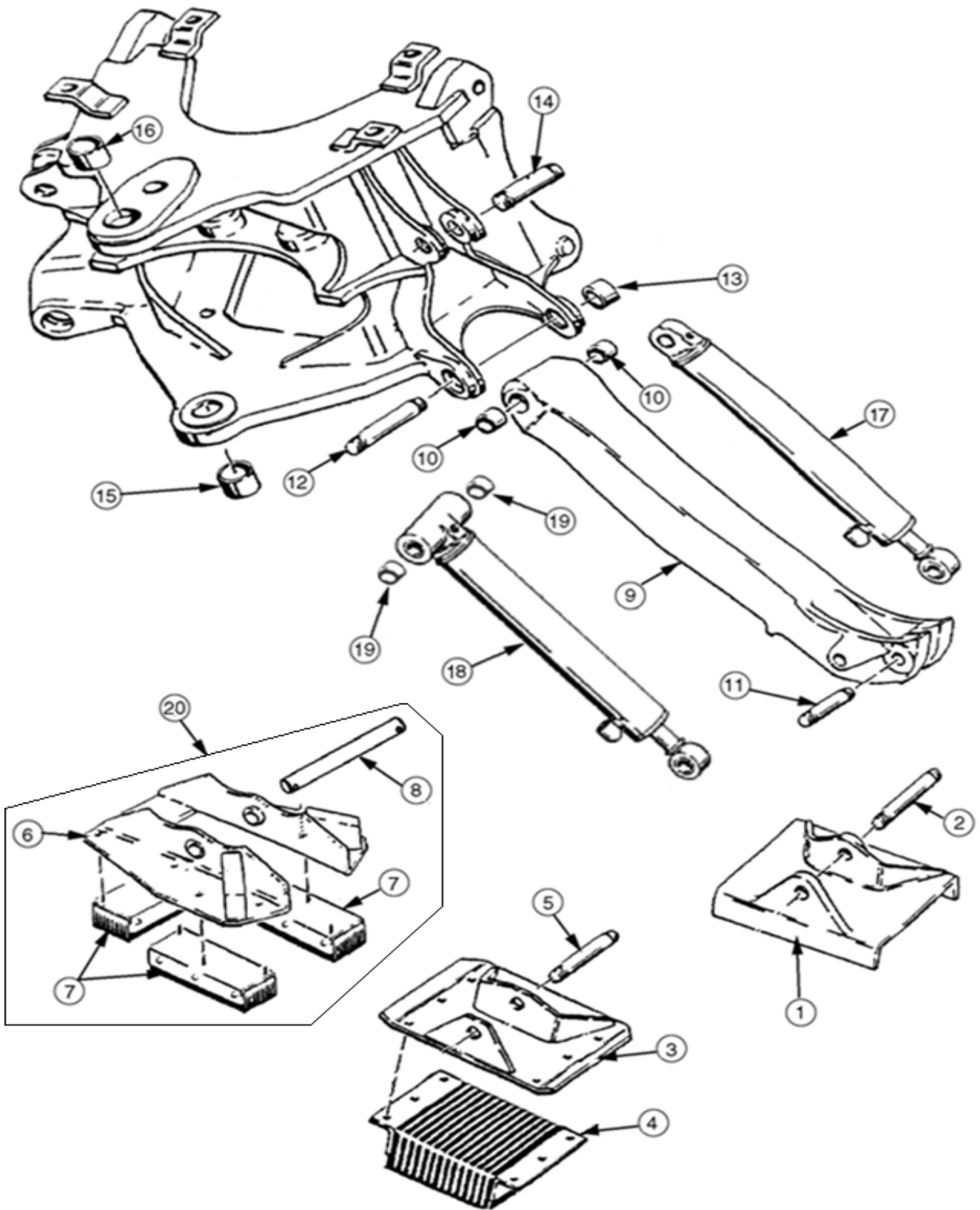
16	G101180	Stabilizer Cylinder, R/H		2	89
16	G101181	Stabilizer Cylinder, L/H		2	89
17	D32865	bushing		2	0.2
18	D36203	Bushing, sold separate		1	0.9

CASE 580D, 580E

16	G109139	Stabilizer Cylinder, L/H		2	96
16	G109140	Stabilizer Cylinder, R/H		2	96
17	D32865	bushing		2	0.2
18	D32865	bushing		2	0.2

MISC. HARDWARE

	D25279	Snap ring	1 1/2"		0.05
	103-16175	Snap ring	1 3/4"		0.05
	U11649	Washer	1 1/2" 10 ga.		0.1
	495-81292	Washer	1 1/2" 14 ga.		0.1
	495-81226	Washer	1 3/4" 10 ga.		0.1
	30575	Washer	1 3/4" 14 ga.		0.1



MOUNTING FRAME & STABILIZER PARTS**CASE**

Ref.	Part No.	Description	Notes	Qty.	Wt.
CASE 580K, 580SK, 580L, 580SL, 580M, 580SM					
1	D88427	Stabilizer Plate	Cleat	2	55
2	D28648	Pin	Stabilizer Plate to Leg - Cleat	2	5.1
3	D142519	Stabilizer Plate	Rubber	2	55
4	D61368	Rubber Pad		2	31
5	D39256	Pin	Stabilizer Plate to Leg - Rubber	2	5
20	186405A1	Stabilizer Pad Set		2	130
6	189955A1	stabilizer plate	Flip Over	2	87
7	D142314	rubber pad		6	12
8	D149033	pin - stabilizer plate to leg		2	5.9
9	446222A1	Stabilizer Leg		2	160
10	D50146	Bushing	Stabilizer Leg	4	0.7
11	D26002	Pin	Cylinder to Leg	2	3.6
12	D134723	Pin	Stabilizer Leg to Frame 580K	2	8
12	D89838	Pin	Stabilizer Leg to Frame 580SK	2	8.6
12	121665A1	Pin	Stabilizer Leg to Frame	2	8.6
13	D43940	Bushing	Frame at Stabilizer Leg 580K	4	0.5
13	D37495	Bushing	Frame at Stabilizer Leg 580SK	4	0.6
13	107124A1	Bushing	Frame at Stabilizer Leg	4	0.5
14	D133509	Pin	Cylinder to Frame 580K	2	6
14	D38907	Pin	Cylinder to Frame	2	3.6
15	D135556	Bushing	Frame at Swing Tower, Lower 580K	1	1
15	D151070	Bushing	Frame at Swing Tower, Lower	1	2
16	D135555	Bushing	Frame at Swing Tower, Upper 580K	1	1
16	D151069	Bushing	Frame at Swing Tower, Upper	1	1.5

CASE 580SK, 580SL, 580SM

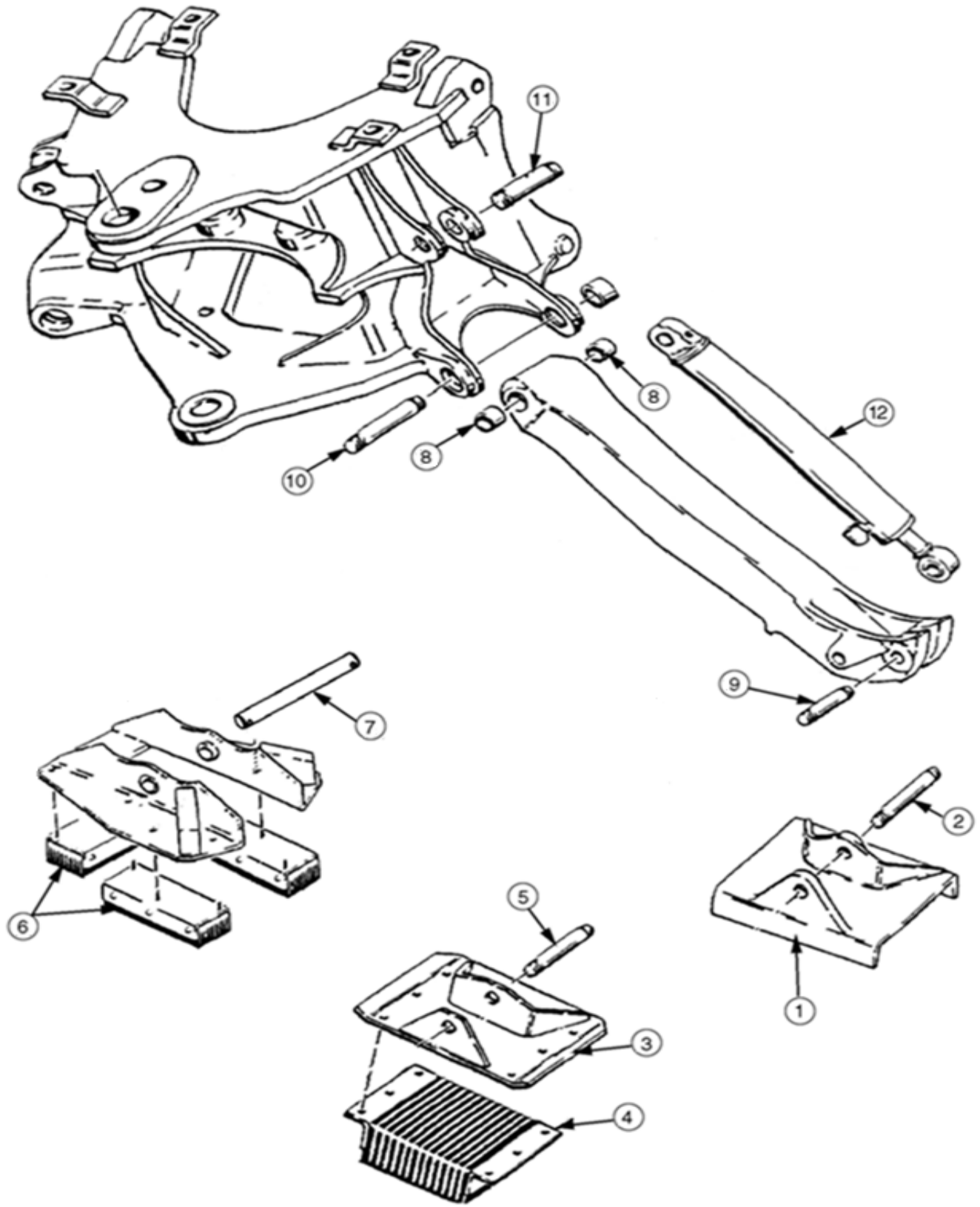
17	199720A1	Stabilizer Cylinder, R/H		1	100
17	199721A1	Stabilizer Cylinder, L/H		1	100

CASE 580L, 580M

17	195503A1	Stabilizer Cylinder, R/H		1	95
17	195504A1	Stabilizer Cylinder, L/H		1	95

CASE 580K

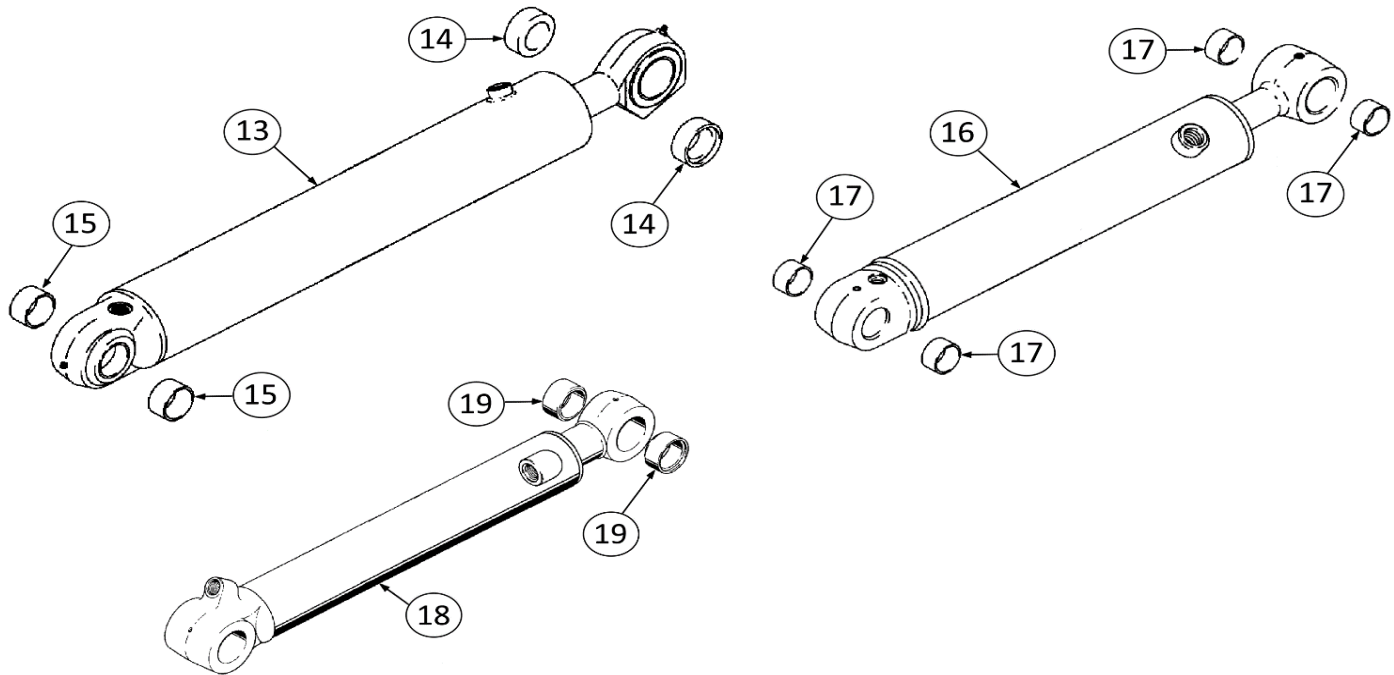
18	G110672	Stabilizer Cylinder, R/H		1	106
18	G110673	Stabilizer Cylinder, L/H		1	106
19	D30932	bushing		4	0.3
	PVPK12	Stabilizer Pin Kit		2	11
12	D134723	pin		2	8
10	D50146	bushing		4	0.7
13	D43940	bushing		4	0.5



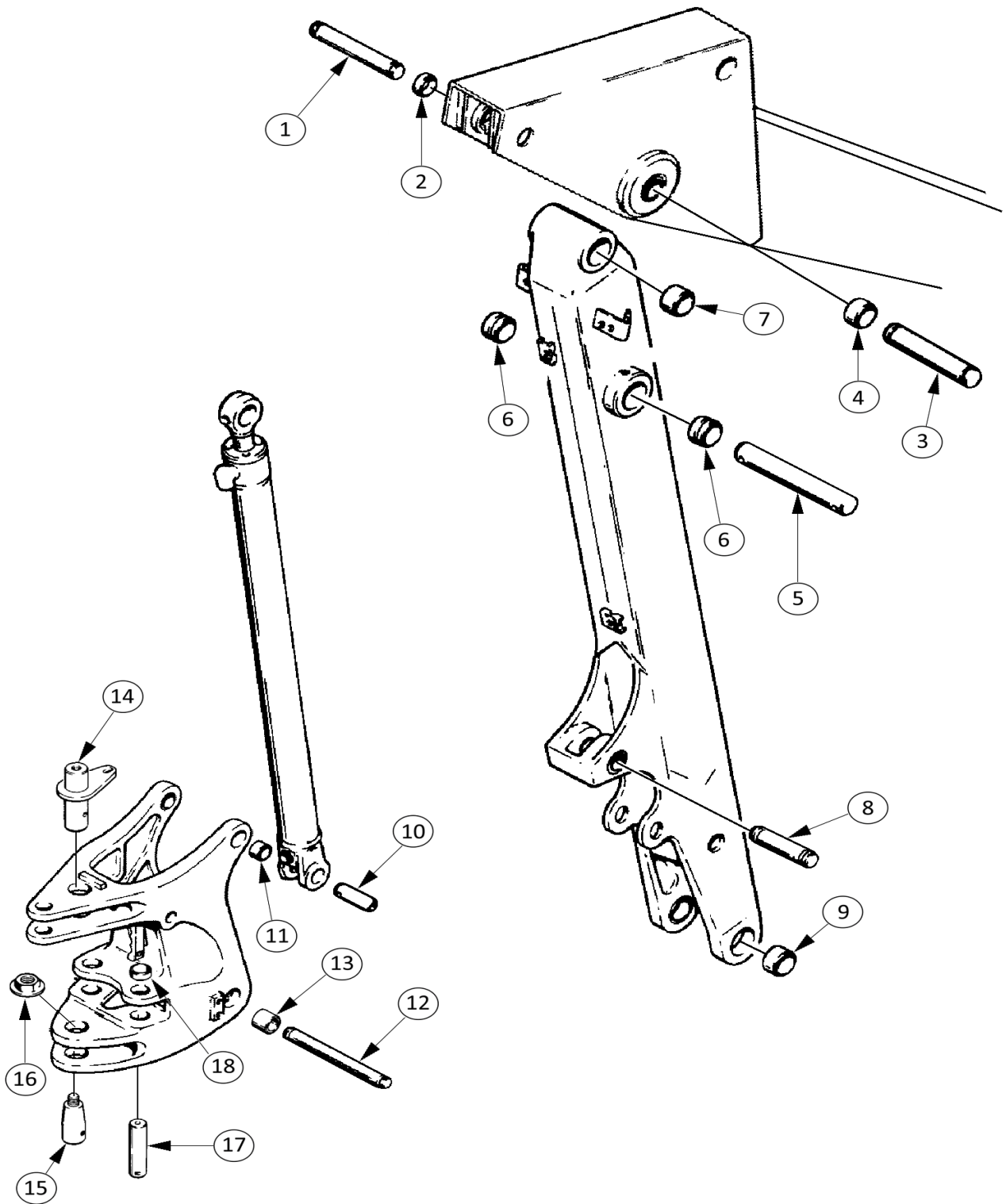
MOUNTING FRAME & STABILIZER PARTS

CASE 590SL, SM

Ref. Part No.	Description	Notes	Qty.	Wt.	
CASE 590SL, 590SM					
1	D88427	Stabilizer Plate	Cleat	2	55
2	D28648	Pin	Stabilizer Plate to Leg - Cleat	2	5.1
3	D142519	Stabilizer Plate	Rubber	2	55
4	D61368	Rubber Pad		2	31
5	D39256	Pin	Stabilizer Plate to Leg - Rubber	2	5
6	D142314	Rubber Pad	590SL	6	12
7	D149033	Pin	Stabilizer Plate to Leg	2	5.9
8	D50146	Bushing	Stabilizer Leg	4	0.7
9	R26725	Pin	Cylinder to Leg	2	4
10	121665A1	Pin	Stabilizer Leg to Frame	2	8.6
11	D38907	Pin	Cylinder to Frame	2	3.6
12	177256A1	Stabilizer Cylinder R/H		1	120
12	177257A1	Stabilizer Cylinder L/H		1	120



CASE 590SL, 590SM					
13	175785A1	Boom Cylinder		1	230
14	D151062	bushing		2	0.4
15	1980371C1	bushing		2	0.8
	1980412C2	seal kit		1	0.6
16	140965A1	Dipper Cylinder		1	188
17	1980371C1	bushing		4	0.8
	179011A1	seal kit		1	0.6
18	296434A1	Bucket Cylinder		1	
19	D140029	bushing		2	1
	297895A1	seal kit		1	



BOOM & SWING TOWER

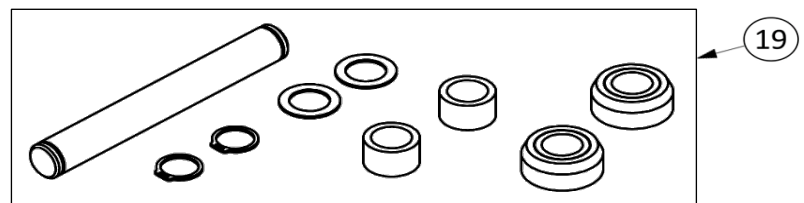
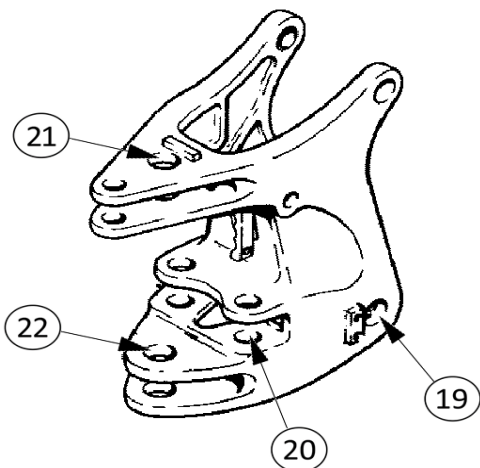
CASE

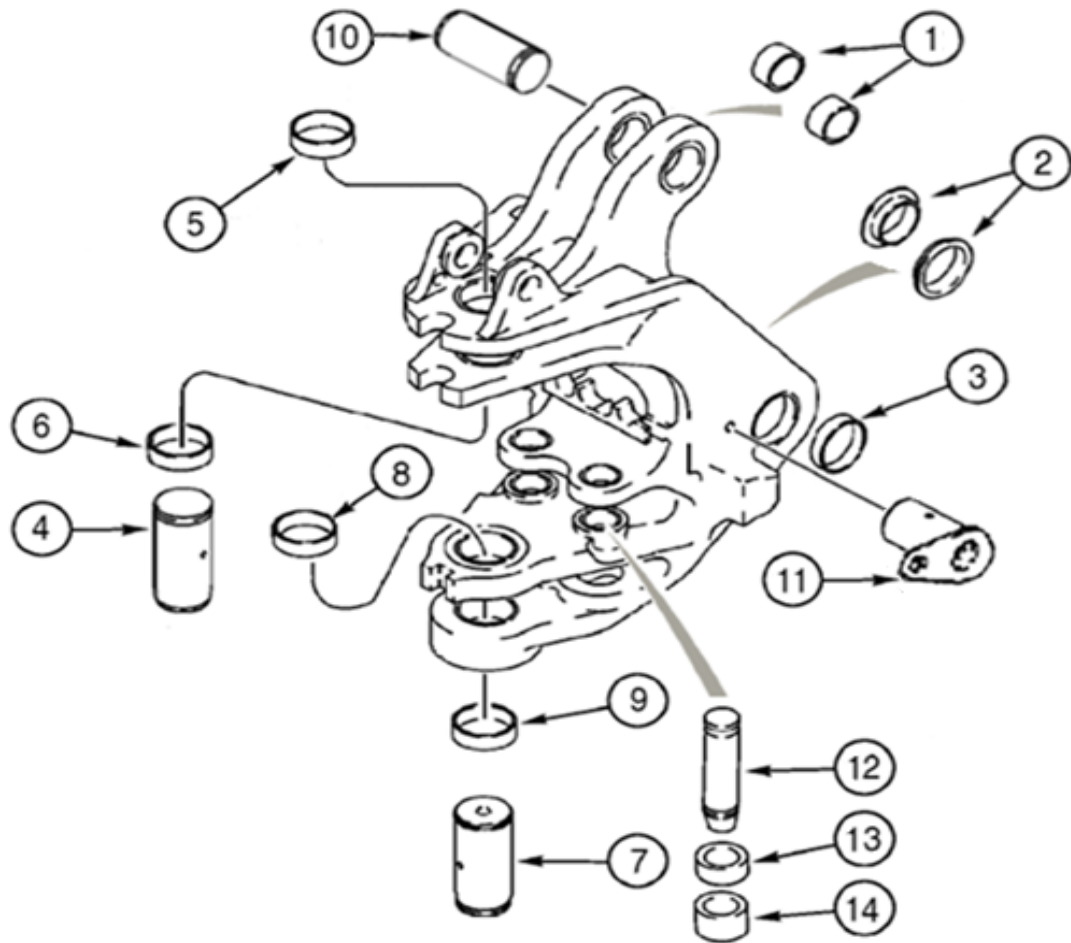
Ref.	Part No.	Description	Notes	Qty.	Wt.
CASE 580B, 580C, 580D, 580E					
1	D52522	Pin		1	5.7
2	D52434	Bushing	580B, 580C	2	0.5
2	D43940	Bushing	580D, 580E	2	0.5
3	D45523	Pin		1	10
4	D31142	Bushing		2	0.8
5	D49865	Pin		1	10
6	D95362	Bushing		2	1
7	D31142	Bushing		2	0.8
8	D72359	Pin		1	3.9
9	D50698	Bushing		2	1.3
10	D49866	Pin		2	1.8
11	D49429	Bushing		2	0.4
12	D91240	Pin		1	14
13	D91241	Bushing	580D, 580E	2	1.9
14	D74004	Pin	580B, 580C	1	5
14	D90727	Pin	580D, 580E	1	11
15	D74004	Pin	580B, 580C	1	5
15	D123653	Pin	580D, 580E	1	5.1
16	181042A1	Nut	580D, 580E	1	0.5
17	D49863	Pin	580B, 580C	2	6.4
17	D94019	Pin	580D, 580E	2	5.1
18	D94018	Bushing		2	0.2

SWING TOWER PIN KITS

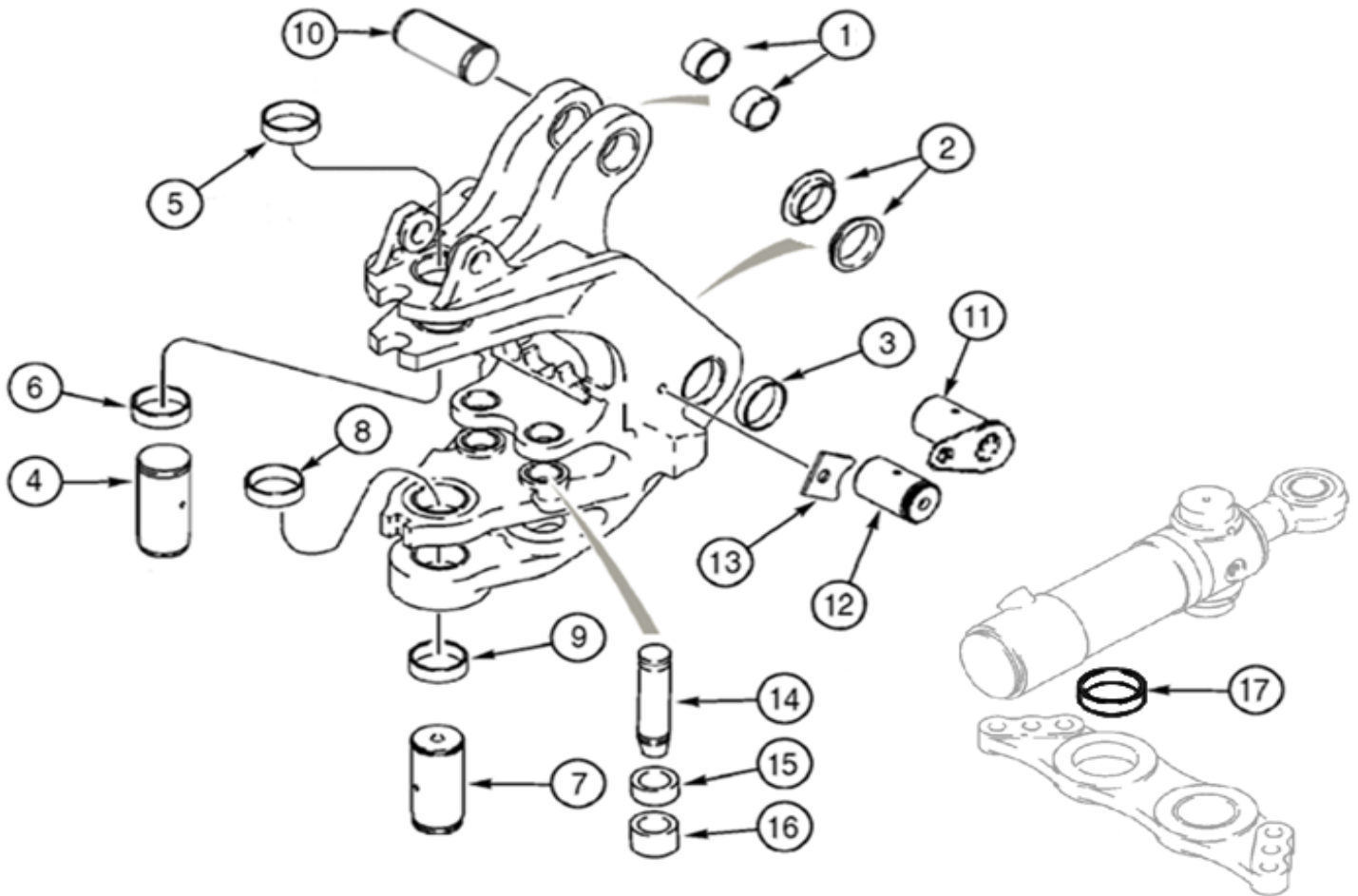
CASE 580B, 580C

Ref.	Part No.	Description	Notes	Qty.	Wt.
CASE 580B, 580C					
19	PVPK1	Pin Kit	Swing tower to boom (illustrated)	1	25
20	PVPK5	Pin Kit	Swing cylinder to tower	2	13
21	PVPK6	Pin Kit	Housing to swing tower, upper	1	13
22	PVPK7	Pin Kit	Housing to swing tower, lower	1	14

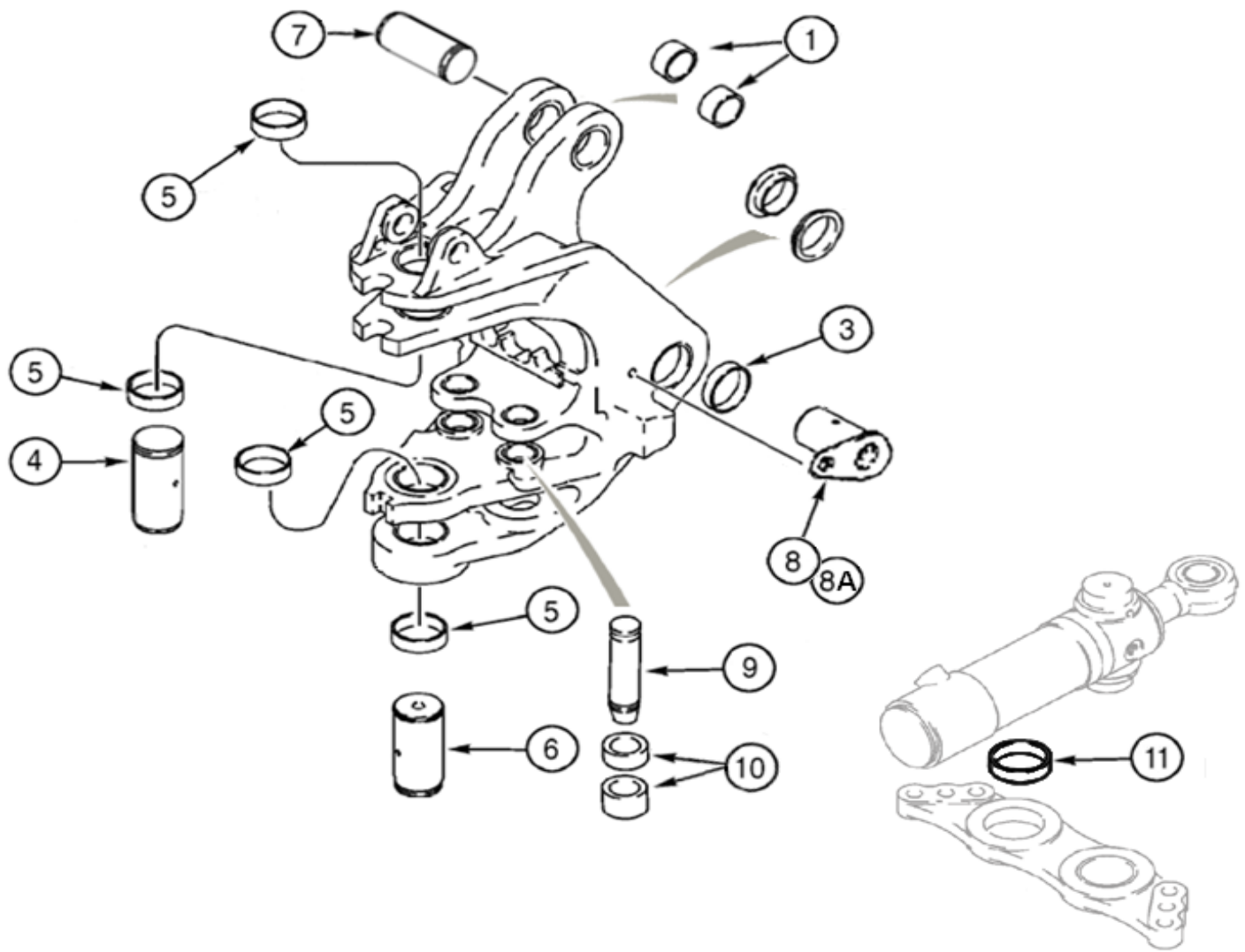




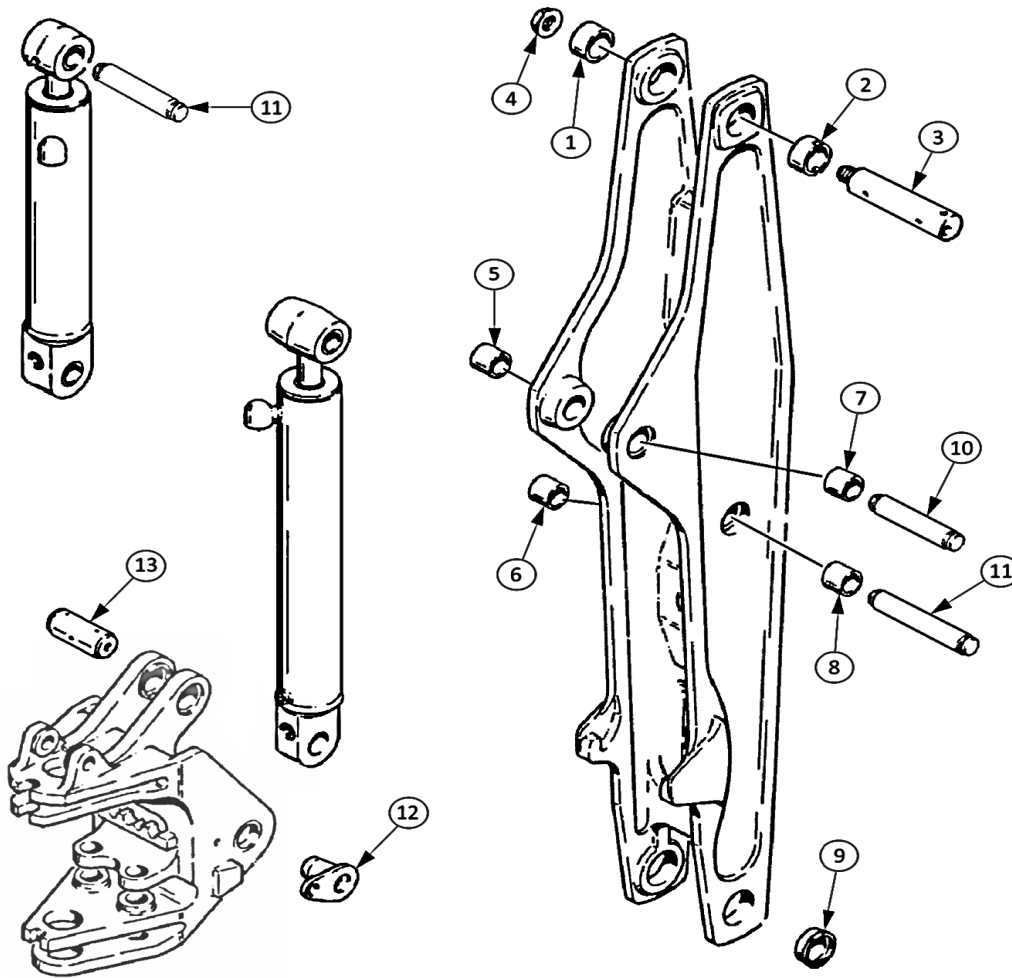
Ref.	Part No.	Description	Notes		Qty.	Wt.
CASE 580K, 580SK						
1	D135740	Bushing	boom cylinder pivot	580K	2	1.4
1	D151072	Bushing	boom cylinder pivot	580SK	2	1.4
2	D135742	Bushing	inner boom pivot		2	1.2
3	D135741	Bushing	outer boom pivot		2	1
4	105749A1	Pin	swing tower to frame, upper		1	11
5	D135557	Bushing	upper swing tower pivot, top		1	1
6	D135559	Bushing	upper swing tower pivot, bottom		1	0.8
7	D151065	Pin	swing tower to frame, lower		1	9.7
8	D135558	Bushing	lower swing tower pivot, top	w/ slots	1	1.2
8	D151073	Bushing	lower swing tower pivot, top	w/out slots	1	1
9	D135559	Bushing	lower swing tower pivot, bottom	580K	1	0.8
9	D151074	Bushing	lower swing tower pivot, bottom	580SK	1	0.8
10	D144420	Pin	boom cyl. to swing tower	580K	1	10
10	D151068	Pin	boom cyl. to swing tower	580SK	1	10
11	D140093	Pin	swing tower to boom	580K	2	8
11	105752A1	Pin	swing tower to boom	580SK	2	8
12	D132517	Pin	swing cylinder to tower	580K	2	3.1
12	D146779	Pin	swing cylinder to tower	580SK	2	3.3
13	D136570	Bushing	swing cylinder pivot		2	0.5
14	D136571	Bushing	swing cylinder pivot		2	0.6



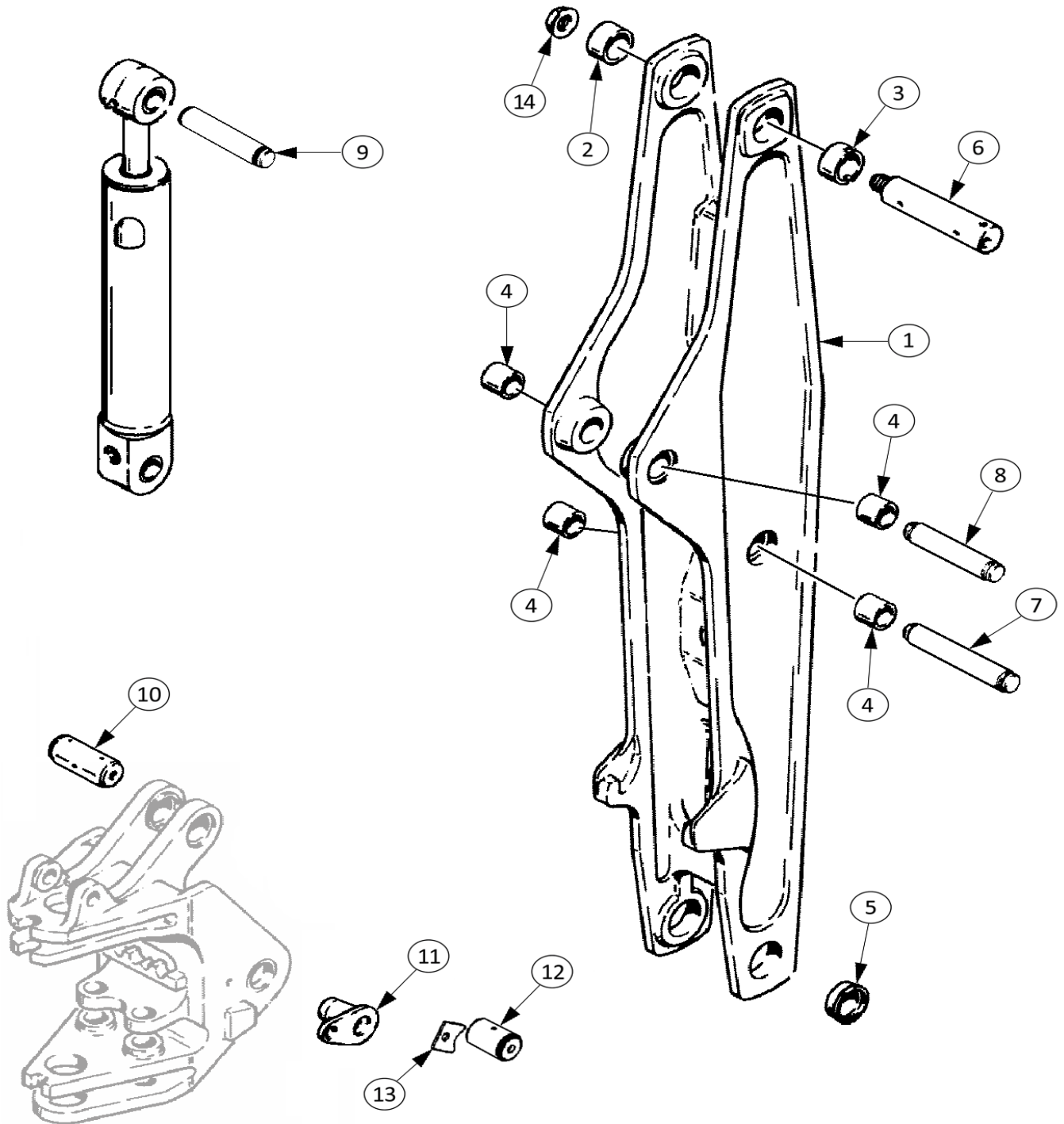
Ref.	Part No.	Description	Notes		Qty.	Wt.
CASE 580L, 580SL, 580M, 580SM						
1	D149079	bushing	boom cylinder pivot	580L, 580M	2	0.4
1	191017A1	bushing	boom cylinder pivot	580SL, 580SM	2	1.7
2	121778A1	bushing	inner boom pivot		2	1.2
3	D135741	bushing	outer boom pivot		2	1
4	292385A1	pin	swing tower to frame, upper		1	8.4
5	D135557	bushing	upper swing tower pivot, top		1	1
6	D135559	bushing	upper swing tower pivot, lower		1	0.8
7	D151065	pin	swing tower to frame, lower		1	9.7
8	D151073	bushing	lower swing tower pivot, top		1	1
9	D151074	bushing	lower swing tower pivot, lower		1	0.8
10	142842A1	pin	boom cylinder to swing tower	580L, 580M	1	5.6
10	190313A1	pin	boom cylinder to swing tower	580SL, 580SM	1	7.8
11	121779A1	pin	boom to swing tower		2	7.7
12	250663A1	pin	boom to swing tower, used with 303646A1		2	7.2
13	303646A1	bracket	pin retainer, boom to swing tower		2	0.5
14	386092A2	pin	swing cylinder rod end to swing tower		2	6.8
15	135249A1	bushing	swing cylinder pivot, upper		2	0.6
16	135248A1	bushing	swing cylinder pivot, lower		2	0.8
17	114318A1	bushing	swing cylinder pivot		2	0.4



Ref.	Part No.	Description	Notes	Qty.	Wt.	
CASE 590SL, 590SL Series 2, 590SM						
1	D151061	Bushing	boom cylinder pivot	2	1.4	
3	D144170	Bushing	outer boom pivot	2	0.4	
4	139262A1	Pin	swing tower to frame, upper	1	10	
5	D151060	Bushing	swing tower pivot	4	1	
6	175597A1	Pin	swing tower to frame, lower	1	12	
7	175315A1	Pin	boom cylinder to swing tower	1	14	
8	175596A1	Pin	swing tower to boom	590SL, 590SM	2	8.6
8A	129327A1	Pin	swing tower to boom	590, 590SL Series 2	2	8.6
9	386092A2	Pin	swing cylinder to swing tower		2	6.75
10	135249A1	Bushing	swing cylinder pivot		4	0.6
11	114318A1	Bushing	swing cylinder pivot		2	0.4



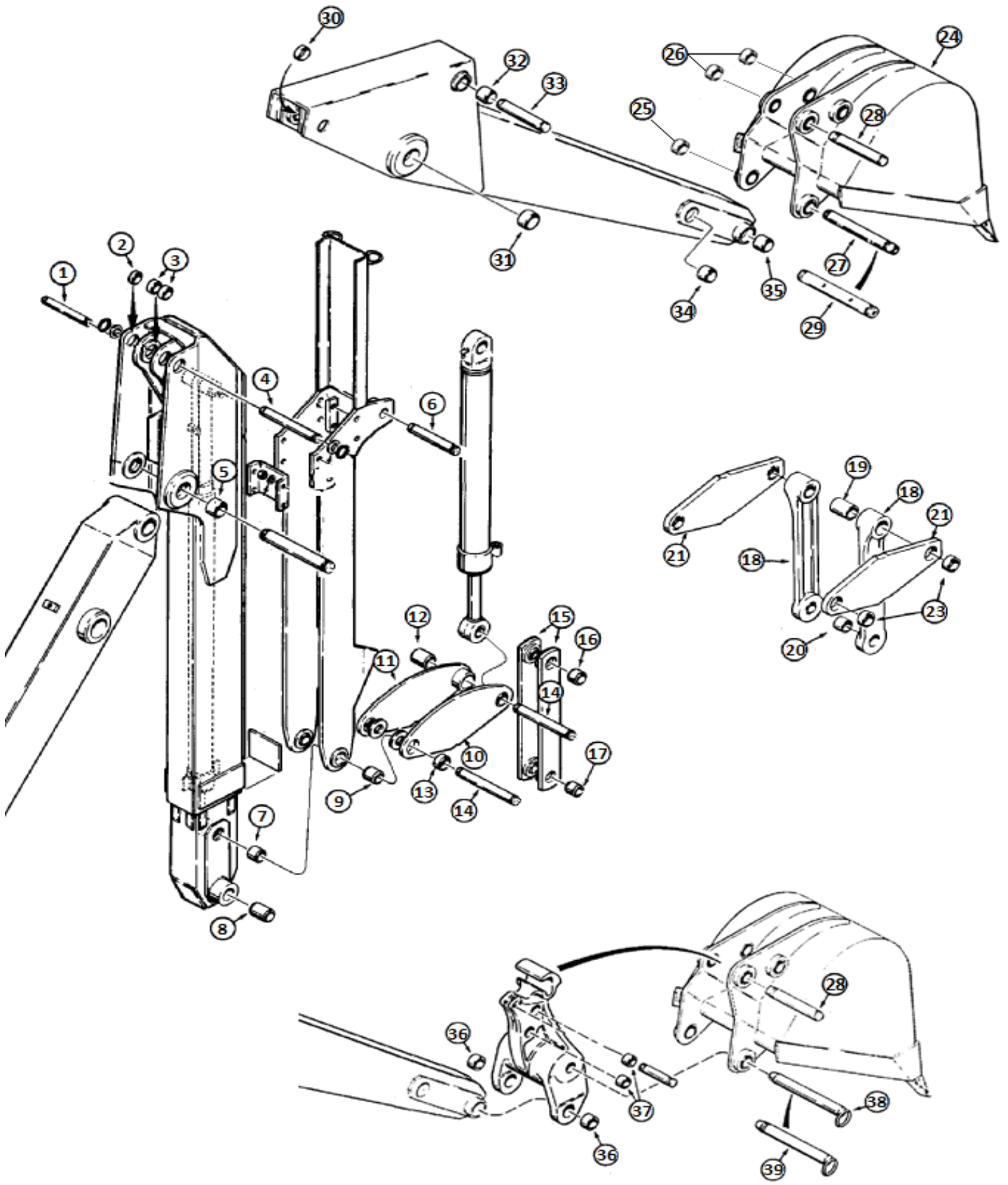
Ref.	Part No.	Description	Notes	Qty.	Wt.	
CASE 580K, 580SK						
1	D137218	Bushing		1	2	
2	D135739	Bushing		1	1	
3	D132494	Pin		1	20	
4	181042A1	Nut		1	0.5	
5,6	D137217	Bushing	580K	2	1	
7,8	D136565	Bushing	580K	2	1	
5,7	D145080	Bushing	580SK	70mm OD	2	1
6,8	D137217	Bushing	580SK	70mm OD	2	1
6,8	D138047	Bushing	580SK	60mm OD	2	1
9	D136569	Bushing	580K, 580SK	w/ groove	2	1
9	D151071	Bushing	580SK	w/out groove	2	1.4
10	D138023	Pin		1	9.6	
11	D132492	Pin	580K	w/ bolt hole	2	5.6
11	D138022	Pin	580K, 580SK	w/ snap ring grooves	2	7.8
12	D140093	Pin	580K		2	8
12	105752A1	Pin	580SK		2	8
13	D140096	Pin	580K	w/ bolt hole	1	11
13	D144420	Pin	580K	w/ snap ring grooves	1	10
13	D151068	Pin	580SK		1	10



BACKHOE BOOM

CASE

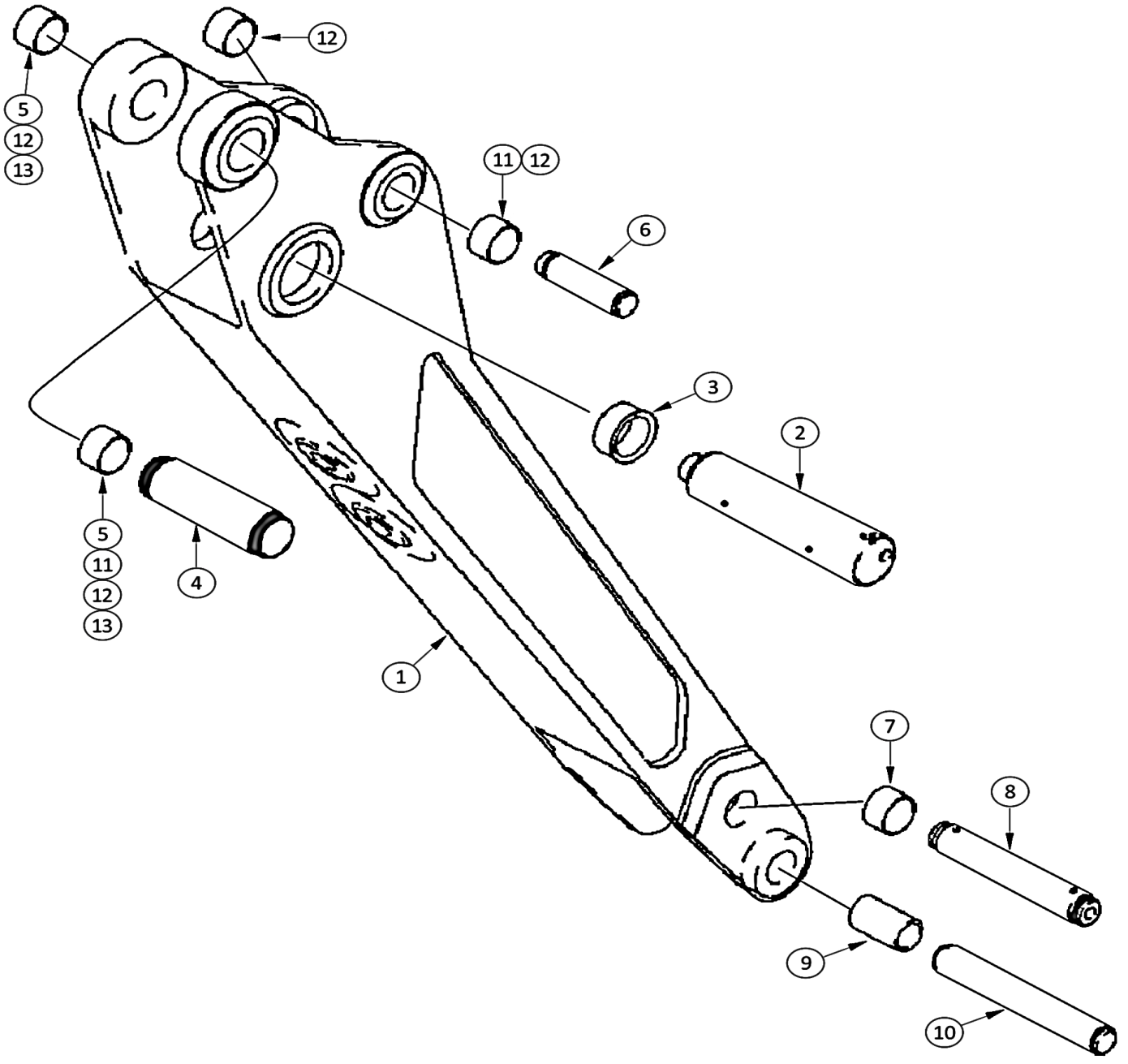
Ref.	Part No.	Description	Notes	Qty.	Wt.
CASE 580L, 580L Series 2, 580M					
1	129883A1	Boom		1	771
2	D137218	bushing, L/H	boom to dipper	1	2
3	D135739	bushing, R/H	boom to dipper	1	1
5	D151071	bushing	boom to swing tower	2	1.4
6	D132494	Pin	boom to dipper	1	20
7	129040A1	Pin	dipper cylinder to boom	1	5.3
8	129040A1	Pin	boom cylinder to boom	1	5.3
9	129041A1	Pin	dipper cylinder rod end to dipper	1	7.3
10	142842A1	Pin	boom cylinder to swing tower	1	5.6
11	121779A1	Pin	boom to swing tower	2	7.7
12	250663A1	Pin	boom to swing tower, used with 303646A1	2	7.2
13	303646A1	Bracket	pin retainer, boom to swing tower	2	0.5
14	181042A1	Nut	boom to dipper pin	1	0.5
CASE 580SL, 580SL Series 2, 580SM					
1	122284A2	Boom		1	990
2	D137218	bushing, L/H	boom to dipper	1	2
3	D135739	bushing, R/H	boom to dipper	1	1
5	D151071	bushing	boom to swing tower	2	1.4
6	D132494	Pin	boom to dipper	1	20
7	123167A2	Pin	dipper cyl. to boom, with center grease groove	1	12
8	123168A2	Pin	boom cylinder to boom	1	14
9	D138022	Pin	dipper cylinder rod end to dipper	1	7.8
10	190313A1	Pin	boom cylinder to swing tower	1	7.8
11	121779A1	Pin	boom to swing tower	2	7.7
12	250663A1	Pin	boom to swing tower, used with 303646A1	2	7.2
13	303646A1	Bracket	pin retainer, boom to swing tower	2	0.5
14	181042A1	Nut	boom to dipper pin	1	0.5
CASE 590					
1	D150756	Boom	use 140505A1		
CASE 590SL, 590SL Series 2, 590SM					
1	140505A1	Boom		1	1210
2	D144168	bushing, L/H	boom to dipper	1	1
3	D144197	bushing, R/H	boom to dipper, slotted	1	1
4	D144161	bushing	boom at dipper and boom cylinder	4	1
5	D151059	bushing	boom to swing tower	2	1
6	175313A1	Pin	boom to dipper	1	28
7	175581A1	Pin	dipper cylinder to boom	1	15
8	175581A1	Pin	boom cylinder to boom	1	15
9	175581A1	Pin	dipper cylinder rod end to dipper	1	15
10	175315A1	Pin	boom cylinder to swing tower	1	14
11	175596A1	Pin	boom to swing tower	2	8.6
			590SL, 590SM		
11	129327A1	Pin	boom to swing tower	2	8.6
			590SL Series 2		
14	181042A1	Nut	boom to dipper pin	1	0.5



BACKHOE PARTS

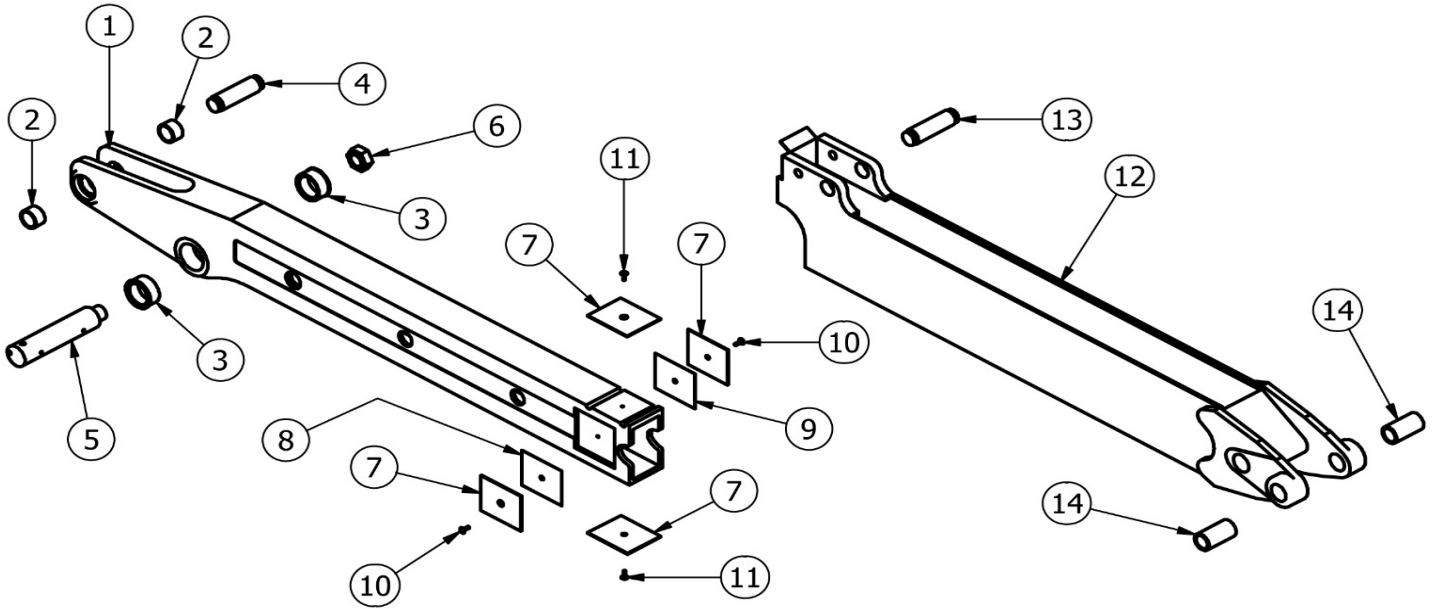
CASE

Ref.	Part No.	Description	Notes	Qty.	Wt.	
CASE 580B, 580C, 580D, 580E						
1	D44882	Pin	Extension cylinder to housing	1	4	
2	D34340	Bushing	At dipper cylinder	1	0.3	
3	D46405	Bushing	Dipper cylinder	2	0.2	
4	D37611	Pin	Dipper cylinder to housing	1	7.4	
5	D30756	Bushing	Dipper housing at boom	2	0.6	
6	D38907	Pin	Bucket cylinder to dipper ext.	580E	1	3.6
7	D37443	Bushing	Dipper arm at bucket link	2	0.8	
8	D50146	Bushing	Dipper arm at bucket	2	0.7	
9	D52521	Bushing	Bucket link pin	580B, 580C, 580D	2	0.5
9	D43940	Bushing	Bucket link pin	580E	2	0.5
10	D61087	Link	R/H	580B, 580C, 580D	1	26
11	D61088	Link	L/H	580B, 580C, 580D	1	26
12	D42788	bushing	Link at bucket cylinder	580B, 580C, 580D	2	0.7
13	D46405	bushing	Link at dipper arm	580B, 580C, 580D	2	0.2
14	D53818	Pin	Dipper to bucket links	580B, 580C, 580D	2	7.4
15	D61244	Link	Bucket cylinder to bucket	580B, 580C, 580D	2	28
16	D37495	bushing	Link at cylinder	580B, 580C, 580D	2	0.6
17	D30933	bushing	Link at bucket	580B, 580C, 580D	2	0.4
18	D126492	Link	Bucket cylinder to bucket	580D, 580E	2	30
19	D121845	bushing	Link at cylinder	580D, 580E	2	1.2
20	D30933	bushing	Link at dipper arm	580D, 580E	2	0.4
21	D89620	Link		580D, 580E	2	25
23	D46405	bushing		580D, 580E	4	0.2
24	PV441	Bucket	See page L1 for all backhoe buckets	1	351	
25	D37495	bushing	Bucket at dipper	2	0.6	
26	D30933	bushing	Bucket at links	6	0.4	
27	D64799	Pin	Bucket to dipper	1	9.5	
28	D37614	Pin	Bucket to link	1	4.6	
29	D55584	Pin	Dipper to bucket, 12" buckets only	1	8.3	
30	D52434	Bushing	Dipper at dipper cylinder	580B, 580C	2	0.5
30	D43940	Bushing	Dipper at dipper cylinder	580D, 580E	2	0.5
31	D31142	Bushing	Dipper at boom	2	0.8	
32	D34340	Bushing	Dipper at bucket cylinder	580C, 580D, 580E	2	0.3
33	D52522	Pin	Bucket cylinder to dipper	1	5.7	
34	D50146	Bushing	Dipper at bucket links	2	0.7	
35	D55626	Bushing	Dipper at bucket	2	0.7	
36	D37495	Bushing	Bucket pivot	580E	2	0.6
37	D31140	Bushing	Link pivot	580E	4	0.3
38	D150619	Pin	Bucket to coupler	580E	1	10
39	D135690	Pin	Bucket to coupler, 12" buckets only	580E	1	9.3

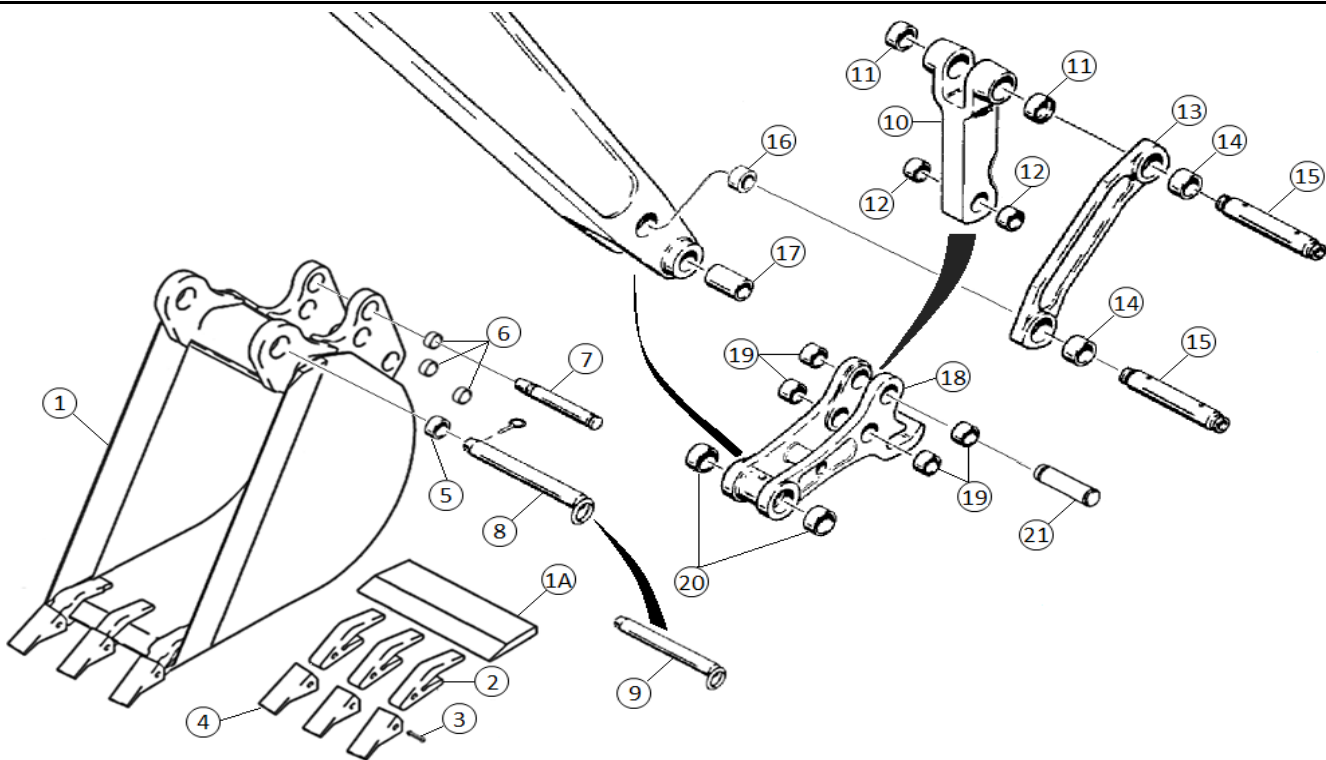


DIPPER ARM**CASE**

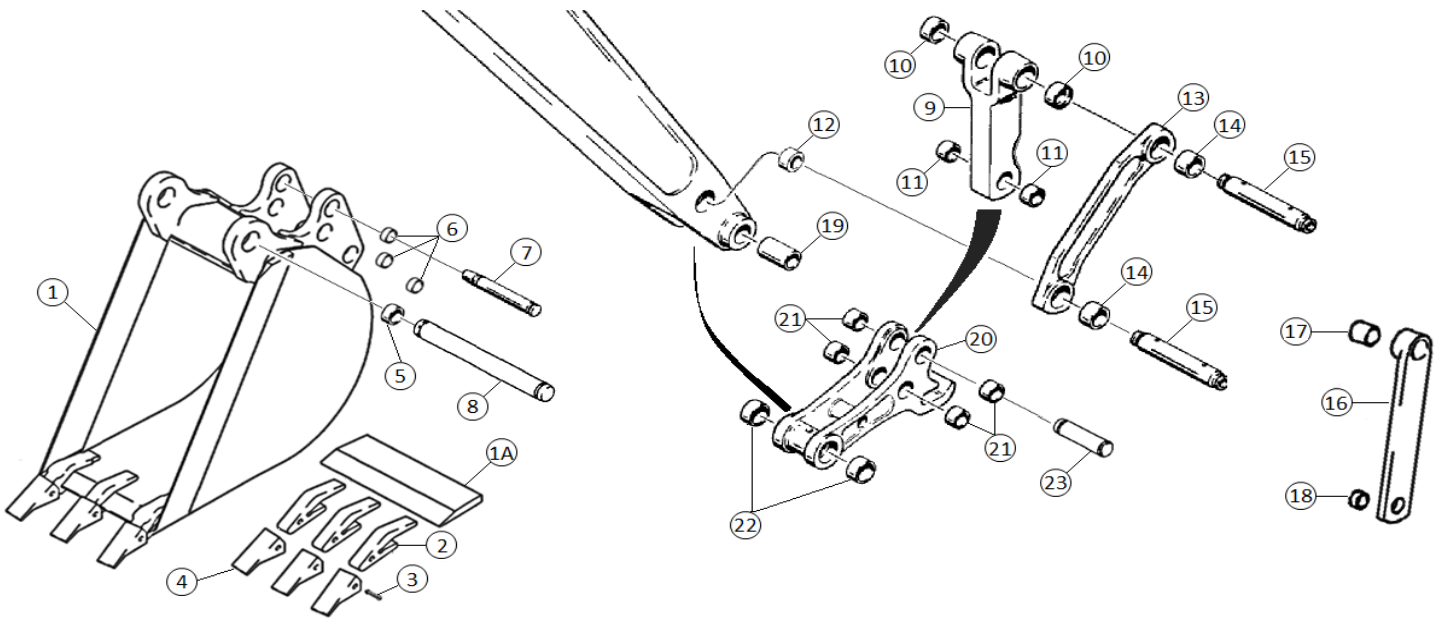
Ref.	Part No.	Description	Notes	Qty.	Wt.
CASE 580K, 580SK					
1	403353A1	Dipper Arm	580SK	1	
3	D135740	bushing	w/ groove	2	1.4
3	D150121	bushing	w/out groove	2	1.4
11	D136565	bushing	70mm OD, with slot	1	1
12	D137217	bushing	70mm OD, w/out slot	1	1
13	D138047	bushing	60mm OD	1	1
7	D136573	bushing	70mm OD, Length 1.575"	2	1
7	D141249	bushing	70mm OD, Length 1"	2	0.6
7	D140029	bushing	60mm OD, Length 1"	2	1
2	D132494	Pin	boom to dipper	1	20
4	D132492	Pin	dipper cylinder rod end to dipper, w/ bolt hole	1	5.6
4	D138022	Pin	dipper cylinder rod end to dipper, w/ snap ring	1	7.8
6	D132492	Pin	dipper cylinder rod end to dipper, w/ bolt hole	1	5.6
6	D138022	Pin	dipper cylinder rod end to dipper, w/ snap ring	1	7.8
10	D140655	Pin	with ear & one bolt hole	1	9.3
10	D135690	Pin	for 12" bucket	1	9.3
CASE 580L, 580L Series 2, 580M					
1	129884A2	Dipper Arm		1	740
3	D150121	bushing	dipper at boom pivot	2	20
5	D145978	bushing	dipper at dipper cylinder	2	1.4
7	D140029	bushing	dipper at linkage	2	7.3
2	D132494	Pin	boom to dipper	1	0.45
4	129041A1	Pin	dipper cylinder rod end to dipper	1	7.3
6	129041A1	Pin	bucket cylinder to dipper	1	1
CASE 580SL, 580SL Series 2, 580SM					
1	403353A1	Dipper Arm	For models w/out hydraulic coupler	1	
3	D150121	bushing	dipper at boom pivot	2	1.4
5	D138047	bushing	dipper at dipper cylinder	2	1
7	D140029	bushing	dipper at linkage	2	1
2	D132494	Pin	boom to dipper	1	20
4	D138022	Pin	dipper cylinder rod end to dipper	1	7.8
6	D138022	Pin	bucket cylinder to dipper	1	7.8
CASE 590SL, 590SL Series 2, 590SM					
2	175313A1	Pin	boom to dipper	1	28
3	D151059	Bushing	dipper at boom pivot	2	1
4	175581A1	Pin	dipper cylinder rod end to dipper	1	15
5	D144161	Bushing	dipper at dipper cylinder	2	1
6	175316A1	Pin	bucket cylinder to dipper	1	6.4
7	D140029	Bushing	dipper at linkage	2	1
FITS ALL MODELS ON THIS PAGE					
8	D141142	Pin	link to dipper	2	9.9
9	307186A1	Bushing	dipper at bucket	2	1.7
10	D150619	Pin	dipper to bucket	1	10



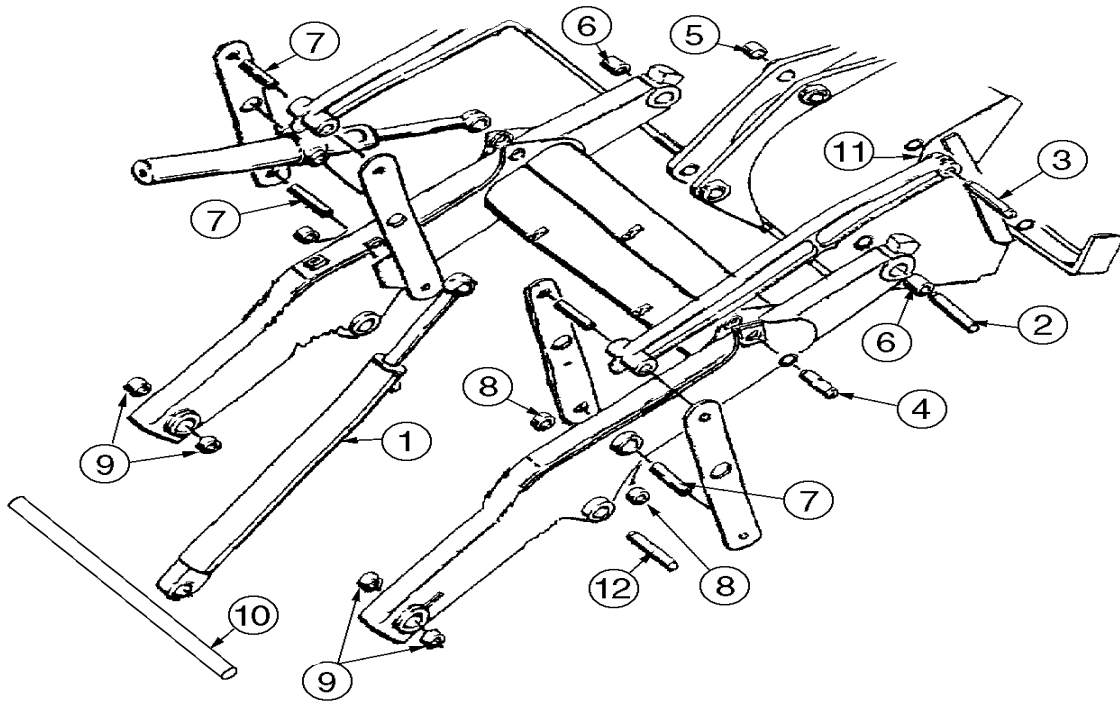
Ref.	Part No.	Description	Notes	Qty.	Wt.
CASE 580K, 580SK, 580SL, 580SM					
1	244536A1	Inner Dipper Arm	Also order PV9105 shim kit	1	
2	D149079	bushing	580K, 580SK, 580SL, 580SM	2	0.4
3	D150121	bushing	580SK, 580L, 580SL, 580M, 580SM	2	1.4
7	451384A1	Wear Plate		4	
	PV9105	Shim Kit	Shim kit will fit our dipper and 580SM OE dipper only.	1	
8	132844A1	shim, NSS	(PV9105 kit contains 12)	AR	
9	132842A1	shim, NSS	(PV9105 kit contains 12)	AR	
10	183509A1	pin, NSS	(PV9105 kit contains 2)	2	
11	183443A1	pin, NSS	(PV9105 kit contains 2)	2	
12	87600242	Outer Dipper Arm	For models w/out hydraulic coupler	1	
<hr/>					
2	D145978	Bushing	580L, 580M	2	0.45
2	D144161	Bushing	590SL, 590SM	2	1
3	D135740	Bushing	580K	2	1.4
3	D151059	Bushing	590SL, 590SM	2	1
4	D141666	Pin	580K, 580SK, 580SL, 580SM	1	
4	129041A1	Pin	580L, 580M	1	7.3
4	175581A1	Pin	590SL, 590SM	1	15
5	D132494	Pin	580K, 580SK, 580L, 580SL, 580M, 580SM	1	20
5	175313A1	Pin	590SL, 590SM	1	28
6	181042A1	Nut	580K, 580SK, 580L, 580SL, 580M, 580SM, 590SL, 590SM	1	0.5
13	D141666	Pin	580K, 580SK, 580L, 580SL, 580M, 580SM	1	
13	175316A1	Pin	590SL, 590SM	1	6.4
14	307186A1	Bushing	580K, 580SK, 580L, 580SL, 580M, 580SM, 590SL, 590SM	2	1.7



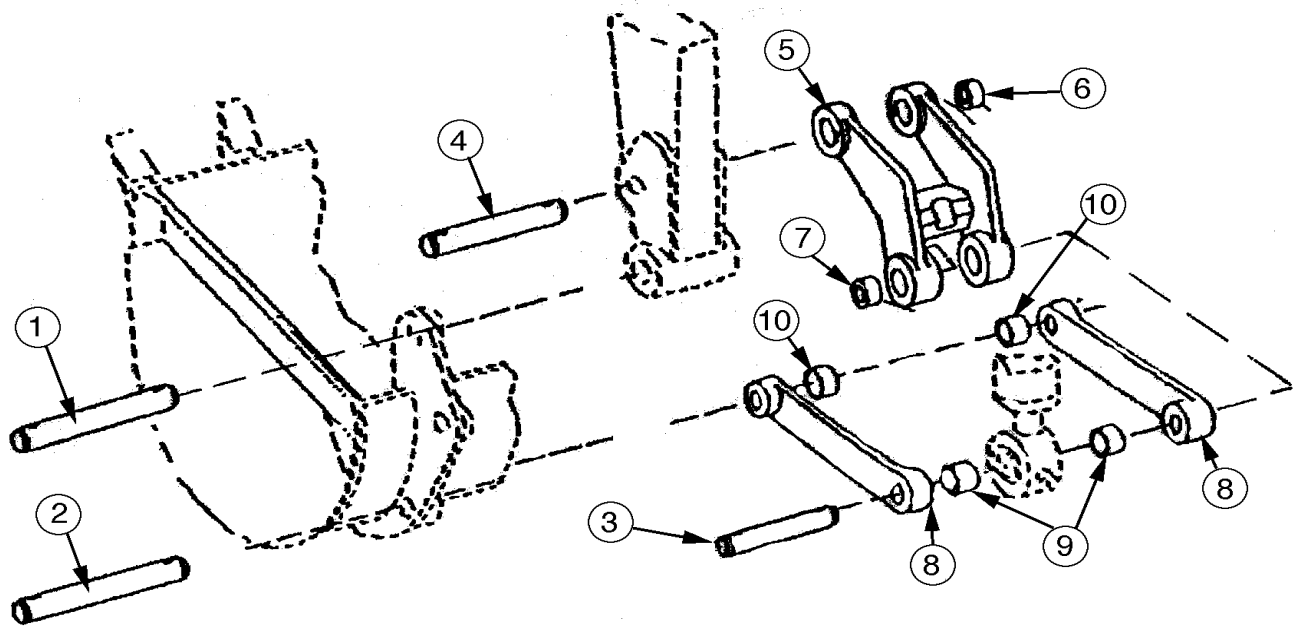
Ref.	Part No.	Description	Notes	Qty.	Wt.
CASE 580K, 580SK					
1	PV441	Bucket, 18"	See page L1 for all backhoe buckets	1	351
1A		cutting edge	See page L1 for all backhoe buckets	AR	
2	230010	adapter		AR	3.4
3	23P	pin		AR	0.1
4	230	tooth		AR	3.5
5	D37495	bushing		2	0.6
6	D30933	bushing		6	0.4
7	D37614	Pin	Bucket to coupler	1	4.6
8	D140655	Pin	Dipper to bucket, all buckets except 12"	1	9.3
9	D135690	Pin	Dipper to bucket, 12" buckets only	1	9.3
10	D150080	Y-Link		1	62
11	D138047	bushing		2	1
12	107124A1	bushing		2	0.5
16	D141249	Bushing	D145902 & D150784 dipper	2	0.6
16	D140029	Bushing	101631A1 dipper	2	1
13	D150608	Link	1 3/8"	2	27
14	D149079	bushing		4	0.4
13	242562A1	Link	1"	2	27
14	D140029	bushing		4	1
15	D141142	Pin	Link to dipper arm & Link to cylinder	2	9.9
17	307186A1	Bushing	Dipper to quick coupler	2	1.7
18	134437A1	Quick coupler		1	65
19	107124A1	bushing		4	0.5
20	D127167	bushing		2	1
21	D140653	Pin	Link to coupler	1	4
21	D146288	Pin	Link to coupler	1	4.2



Ref.	Part No.	Description	Notes	Qty.	Wt.
CASE 580L, 580SL, 580M, 580SM, 590SL, 590SM					
1	PV441	Bucket, 18"	See page L1 for all backhoe buckets	1	351
1A		cutting edge	See page L1 for all backhoe buckets	AR	
2	230010	adapter		AR	3.4
3	23P	pin		AR	0.1
4	230	tooth		AR	3.5
5	D37495	bushing		2	0.6
6	D30933	bushing		6	0.4
7	D37614	Pin	Bucket to coupler	1	4.6
8	D150619	Pin	Dipper to bucket, all buckets except 12"	1	10
9	242561A1	Y-Link	580L, 580SL, 590SL		
9	400398A1	Y-Link	580M, 580SM, 590SM	1	62
10	D138047	bushing		2	1
11	107124A1	bushing		2	0.5
12	D140029	Bushing		2	1
13	D150608	Link	1 3/8"	2	27
14	D149079	bushing		4	0.4
13	242562A1	Link	1"	2	27
14	D140029	bushing		4	1
15	D141142	Pin	Link to dipper arm & Link to cylinder	2	9.9
16	244790A1	Link		2	27
17	D138047	bushing		4	1
18	D31140	bushing		4	0.3
19	307186A1	Bushing	Dipper to quick coupler	2	1.7
20	134437A1	Quick coupler		1	65
21	107124A1	bushing		4	0.5
22	D127167	bushing		2	1
23	D146288	Pin	Link to coupler	1	4.2
	84305923	Bucket Pin Kit	M Series Bucket Retrofit Kit for 580N, 580SN, 580SN WT, & 590SN With Mechanical Couplers or Straight Links	1	



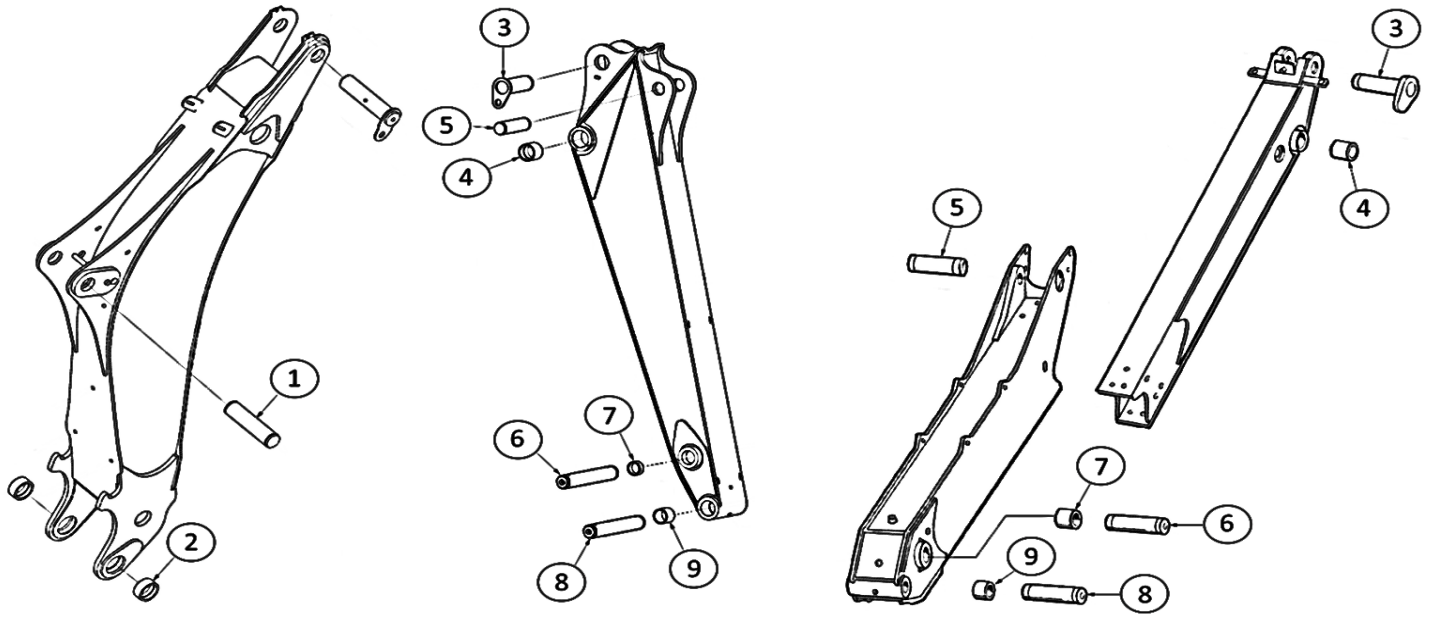
Ref. Part No.	Description	Notes	Qty.	Wt.
CASE 580C, 580D, 580E Loader Pins & Bushings				
1	Loader Lift Cylinder, see Section B			
2 D126717	Pin	Bucket, Lower	2	4
3 D126718	Pin	Bucket, Upper	2	4
4 D89321	Pin	Tilt Cylinder Rod, 580D, 580E	2	2.1
6 D30931	Bushing	Loader Frame	2	0.6
7 D30933	Bushing	Link to Linkage	4	0.4
8 100696A1	Bushing	Bucket Link Pivot	4	0.3
9 D37392	Bushing	Loader Frame	4	0.2
10 D129819	Shaft	Main Frame	1	29
11 D30931	Bushing	Linkage Bucket	2	0.6
12 D67357	Pin	Lift Cylinder	2	2.7
CASE 580K, 580SK Loader Pins & Bushings				
1	Loader Lift Cylinder, see Section B			
2 D129256	Pin	Bucket, Lower	2	3.6
3 D129257	Pin	Bucket, Upper	2	3.6
4 D129279	Pin	Tilt Cylinder Rod	2	2.2
5 D129264	Bushing	Bucket	8	0.4
6 D129240	Bushing	Loader Frame	2	0.8
7 D132076	Bushing	Cylinder Link	4	1.3
8 100696A1	Bushing	Bucket Link Pivot	4	0.3
9 D37392	Bushing	Loader Frame	4	0.2
10 182650A1	Shaft	Main Frame	1	30
11 D129240	Bushing	Bucket Link	2	0.8
CASE 580L, 580SL, 580M, 580SM Loader Pins & Bushings				
2 118901A1	Pin	Bucket upper and lower	4	3.8
6 109268A1	Bushing	Loader Frame	4	0.8



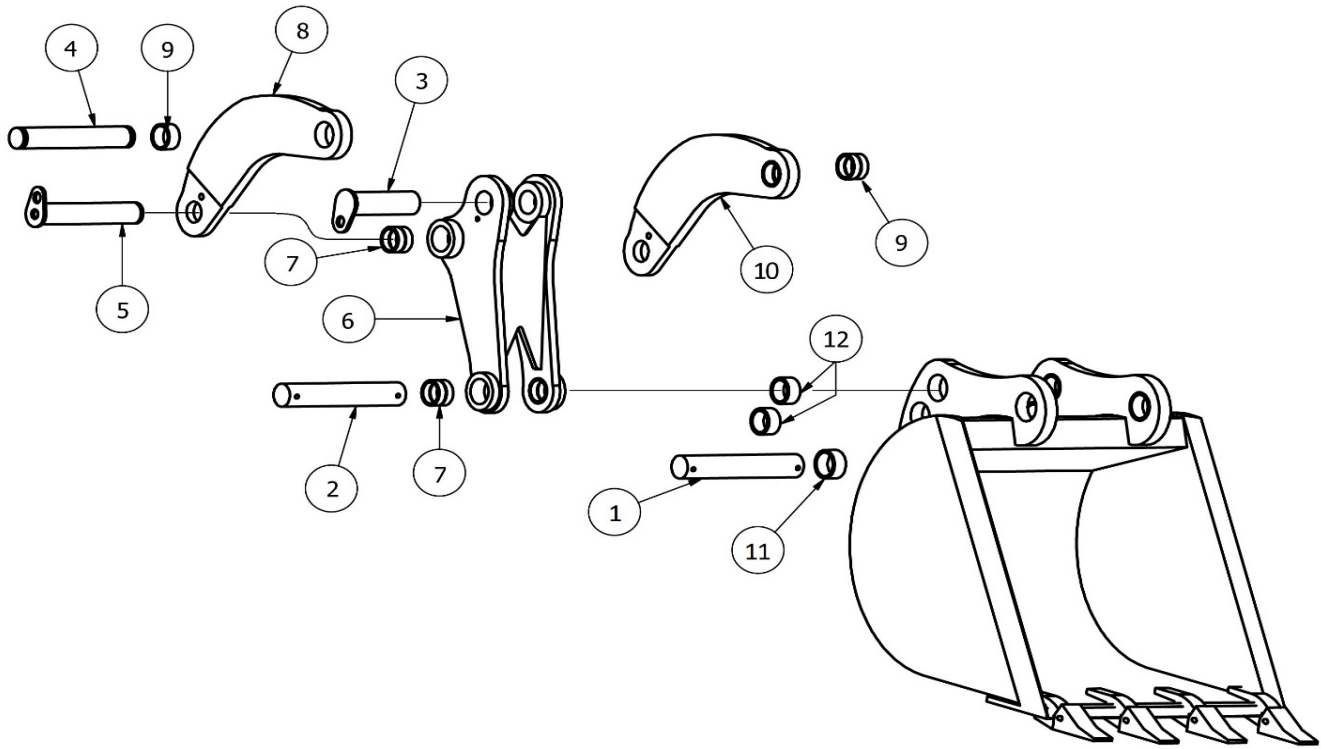
Ref.	Part No.	Description	Notes	Qty.	Wt.
CAT 416, 416B, 416C					
1	9R6162	Pin	Bucket to dipper arm	1	14
2	9R6161	Pin	Bucket to linkage	1	10
3	9R7696	Pin	Cylinder to Linkage	1	8.4
4	9R7696	Pin	Dipper to H-Link	1	8.4
5	9R7699	H-Link		1	47
6	9R0153	Bushing		2	0.4
7	9R0153	Bushing		2	0.4
8	9R8724	Link	H-Link to bucket	2	17
9	9R0147	Bushing		1	0.7
10	9R0147	Bushing		1	0.7
CAT 416D, 420D, 430D					
1	154-5280	Pin	Bucket to dipper arm	1	14
2	154-5279	Pin	Bucket to linkage	1	10
3	154-5277	Pin	Cylinder to Linkage	1	8.5
4	154-5278	Pin	Dipper to H-Link	1	11
5	154-5265	H-Link		1	56
6	9R3092	Bushing		2	0.8
7	9R0147	Bushing		2	0.7
8	145-8337	Link R/H	H-Link to bucket	1	40
8	145-8334	Link L/H	H-Link to bucket	1	40
9	9R0162	Bushing		1	0.9
10	9R0411	Bushing		1	0.7

BACKHOE PARTS**CAT**

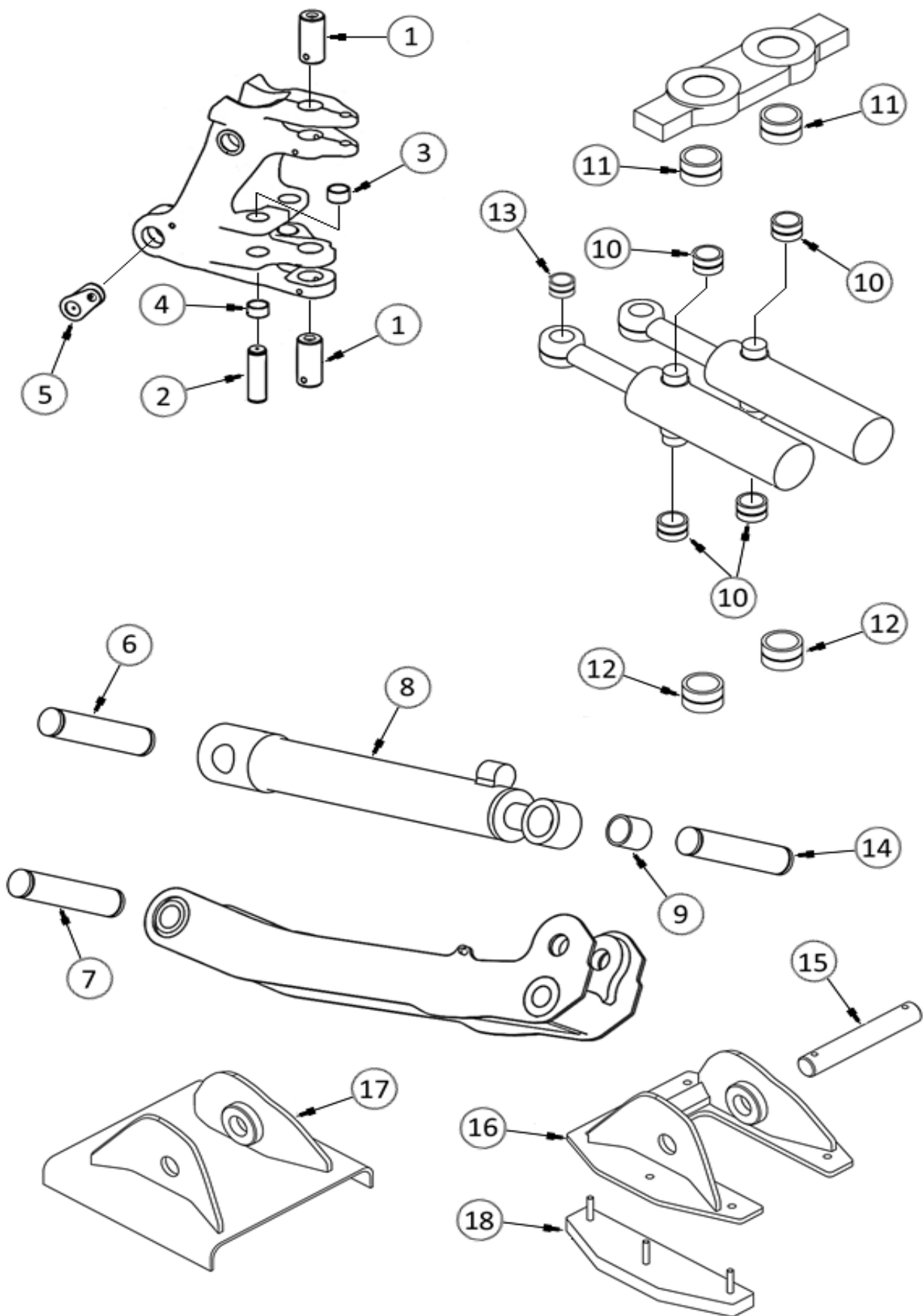
Part No.	Description	Notes	Qty.	Wt.
CAT 416B, 416C, 416D, 420D, 430D				
238-9546	Pin	Stabilizer Pad, flip over	2	9.1
9R0424	Pin	Stabilizer Pad, standard	2	8.4
9R0422	Pin	Stabilizer Cylinder Rod, no cover	2	4.7
9R0423	Pin	Stabilizer Cylinder Tube	2	4
9R0424	Pin	Stabilizer Leg to Machine	2	8.4
9R0411	Bushing	Stabilizer Leg to Frame	4	0.7
9R0431	Bushing	Frame to Stabilizer Leg	4	.6
116-4365	Stabilizer Cylinder R/H	416, 416B, 416C, 426, 426B	1	98
116-4366	Stabilizer Cylinder L/H	416, 416B, 416C, 426, 426B	1	98
180-7485	Stabilizer Cylinder R/H	416D, 420D, 430D	1	97
180-7484	Stabilizer Cylinder L/H	416D, 420D, 430D	1	97
237-5330	Pin	Swing Tower to Boom 416D, 420D	2	5.9
237-2252	Bushing	On Boom at Swing Tower	2	.6
237-0944	Bushing	Bottom Swing Tower, outside	2	1
237-0945	Bushing	Bottom Swing Tower, inside	2	.6
236-8182	Pin	Swing Cylinder Rod 416D, 420D	2	7
101-4020	Pin	Boom Cylinder Rod to Swing Tower 416D, 420D	1	9.2
9R0139	Bushing	Boom Cylinder Rod & Tube	4	1
9R9812	Pin	Boom Cylinder Tube to Boom 416D, 420D	1	9.6
9R0139	Bushing	Dipper Cylinder Rod & Tube	4	1
9R9812	Pin	Dipper Cylinder Tube to Boom	1	9.6
184-9956	Pin	Dipper Cylinder Rod to Dipper w/ Extend-a-hoe	1	10
159-0961	Pin	Boom to Dipper	1	15
9R0170	Bushing	On Boom to Dipper	2	1
9R6163	Pin	Bucket Cylinder Tube w/ Extend-a-hoe	2	2.6
9T5219	Boom Cylinder	416	1	110
6E0274	Boom Cylinder	416B, 416C, 416D	1	185
152-9148	Boom Cylinder	420D	1	192
109-7020	Dipper Cylinder	416B, 416C, 416D, 420D	1	156
6E0275	Bucket Cylinder	416B, 416C (standard dipper arm)	1	135
6E1964	Bucket Cylinder	416B, 416C (extendable dipper arm)	1	135



Ref.	Part No.	Description	Notes	Qty.	Wt.
JOHN DEERE 310E, 310G, 310J, 310K					
1	T159089	Pin		1	
2	T164182	Bushing		2	0.6
3	AT176533	Pin		1	
4	T162582	Bushing		2	1
6	AT176538	Pin		1	7.8
7	T166714	Bushing		2	0.4
8	T125926	Pin		1	10
9	T166716	Bushing		2	0.9
JOHN DEERE 310SE, 310SG, 310SJ, 310SK					
1	T153608	Pin		1	
2	T164183	Bushing		2	
3	AT169831	Pin		1	
4	T295708	Bushing		2	1
5	T153567	Pin		1	
6	AT171079	Pin		1	9.8
7	T166715	Bushing		2	0.4
8	T185832	Pin		1	13
9	T166686	Bushing		2	0.8
JOHN DEERE 410E, 410G, 410J, 410K					
1	T154922	Pin		1	
2	T164183	Bushing		2	
3	AT169831	Pin		1	
4	T295708	Bushing		2	1
5	T153567	Pin		1	
6	AT171079	Pin		1	9.8
7	T166715	Bushing		2	0.4
8	T185832	Pin		1	13
9	T166686	Bushing		2	0.8



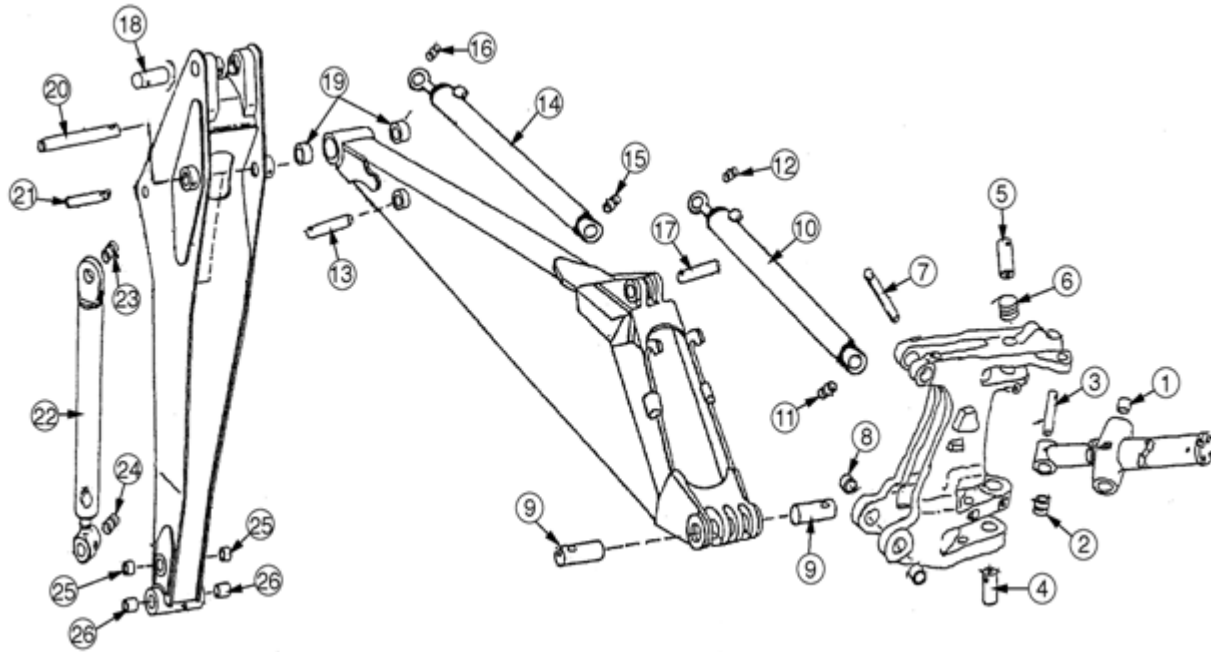
Ref.	Part No.	Description	Notes	Qty.	Wt.
JOHN DEERE 310E, 310G, 310J, 310K					
1	T125926	Pin	Bucket to dipper arm	1	10
2	T125931	Pin	Bucket to linkage	1	8
3	AT176537	Pin	Cylinder to H-Link	1	5
4	AT176538	Pin	Dipper to link	1	7.8
5	AT176536	Pin	H-Link to link	1	6.5
6	AT183068	H-Link	Cylinder to bucket	1	67
7	T105988	Bushing		4	0.5
8	AT181712	Link	H-Link to dipper	1	39
9	T166714	Bushing		2	0.4
10	AT181713	Link	H-Link to dipper	1	39
11	T187115	Bushing	Bucket at dipper	2	0.6
12	T187114	Bushing	Bucket at link	4	0.4
JOHN DEERE 310SE, 310SG, 310SJ, 310SK, 410E, 410G, 410J, 410K					
1	T185832	Pin	Bucket to dipper arm	1	13
2	T185831	Pin	Bucket to linkage	1	11
3	AT171078	Pin	Cylinder to H-Link	1	7.7
4	AT171079	Pin	Dipper to link	1	9.8
5	AT171077	Pin	H-Link to link	1	9.6
6	AT324138	H-Link	Cylinder to bucket	1	65
7	T154273	Bushing		4	0.5
8	AT181714	Link	H-Link to dipper	1	38
9	T166715	Bushing		2	0.4
10	AT181715	Link	H-Link to dipper	1	38
11	T187117	Bushing	Bucket at dipper arm	2	0.4
12	T187116	Bushing	Bucket at bucket links	2	0.4



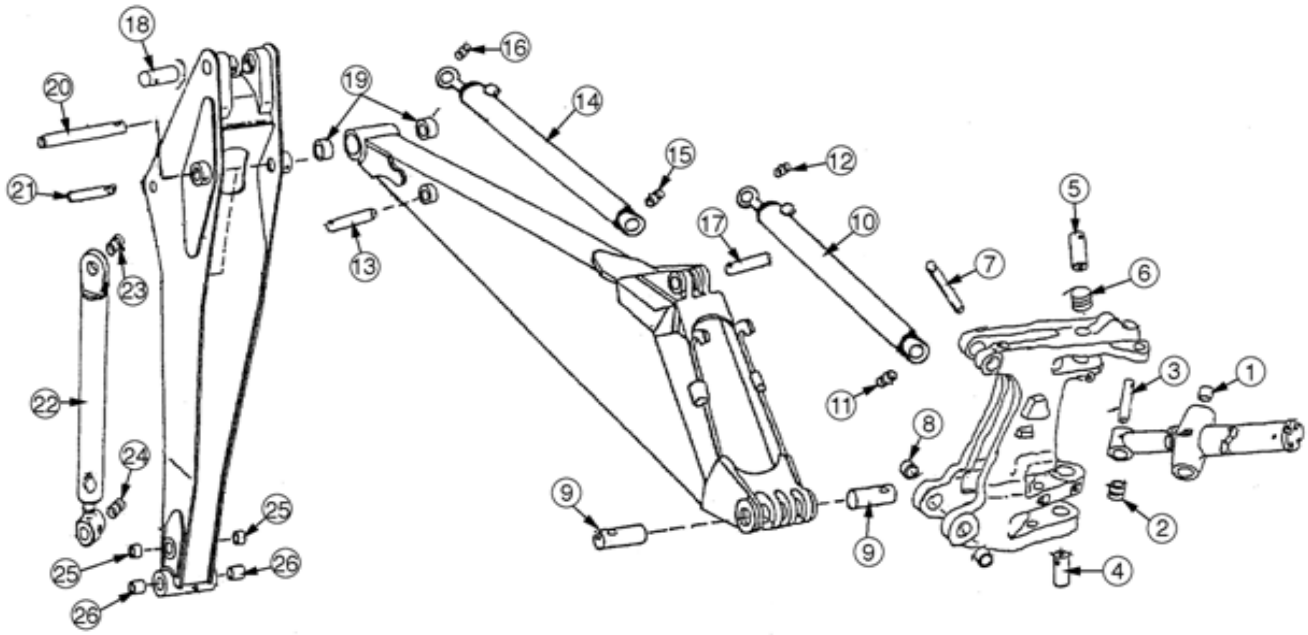
STABILIZER & SWING TOWER

JOHN DEERE

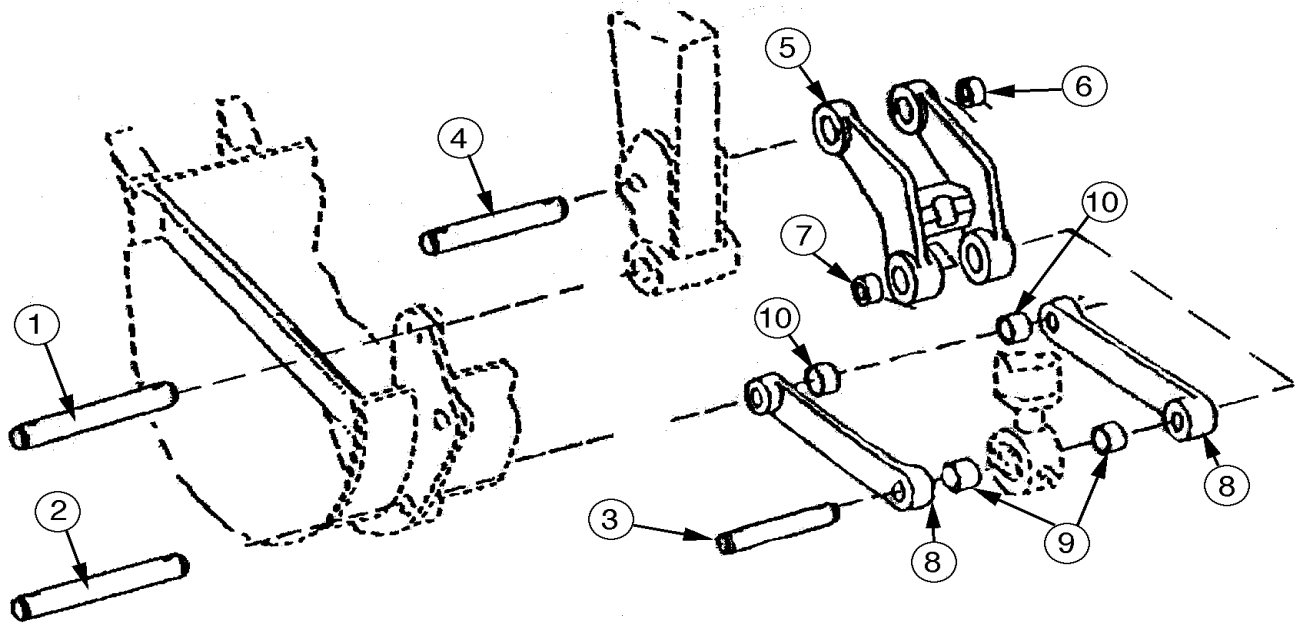
Ref.	Part No.	Description	Notes	Qty.	Wt.
JOHN DEERE 310E, 310G, 310J, 310K					
1	T159118	Pin		2	
2	T200240	Pin	310G s/n 911129-, 310J, 310K	2	
5	AT306500	Pin		2	
6	T161027	Pin		2	10
7	T201909	Pin		2	10
8		Stabilizer Cylinder	Refer to Section B		
9	H154404	bushing		2	
JOHN DEERE 310SE, 310SG, 310SJ, 310SK					
1	T212948	Pin		2	
2	T200240	Pin	310SE, 310SG s/n -928871 (bolt hole)	2	
2	T201971	Pin	310SE, 310SG s/n 928872-, 310SJ, 310SK (snap ring groove)	2	
3	T201361	Bushing		2	
4	T201362	Bushing		2	
5	AT306499	Pin		2	
6	T201909	Pin		2	10
7	T201909	Pin		2	10
8		Stabilizer Cylinder	Refer to Section B		
9	H154404	bushing		2	
JOHN DEERE 410E, 410G, 410J, 410K					
1	T212948	Pin		2	
2	T200240	Pin	410E, 410G s/n -926213 (bolt hole)	2	
2	T201971	Pin	410E, 410G s/n 926214-, 410J, 410K (snap ring groove)	2	
3	T201361	Bushing		2	
4	T201362	Bushing		2	
5	AT303272	Pin		2	
6	T201909	Pin		2	10
7	T201909	Pin		2	10
8		Stabilizer Cylinder	Refer to Section B		
9	H154404	bushing		2	
JOHN DEERE 310E, 310SE, 310G, 310SG, 310J, 310SJ, 310K, 310SK, 410E, 410G, 410J, 410K					
10	H151328	Bushing		4	
11	T153303	Bushing		2	1
12	T147070	Bushing		2	0.8
13	H180402	Bushing		2	1.2
14	T127437	Pin		2	6.6
15	T69472	Pin		2	10
16	T166258	Stabilizer Plate	Reversible	2	63
17	T126867	Stabilizer Plate	Cleat	2	65
18	AT195669	Stabilizer Pad		7	8
	AT157327	Stabilizer Pad Set	Contents: 4) AT195669 & 2) T166258 plates	1	158



Ref.	Part No.	Description	Notes	Qty.	Wt.
JOHN DEERE BACKHOE PINS & BUSHINGS					
1	R81487	Bushing	Swing cyl pivot, 410B, 410C, 410D, 510B, 510C, 510D, 610B	2	1
2	R81488	Bushing	Standard Size, 40MM, Swing cylinder rod end	2	1
			315D, 410B, 410C, 410D to s/n 801199, 415B, 510B, 510C, 510D to s/n 801199, 515B, 610B, 610C		
3	T37598	Pin	Swing cylinder rod end, 310, 310A, 310B, 410	2	3.7
3	T69030	Pin	Standard Size, 40MM, Swing cylinder rod end	2	3.4
			315D, 410B, 410C, 410D to s/n 801199, 415B, 510B, 510C, 510D to s/n 801199, 515B, 610B, 610C		
4	T126916	Pin	Swing tower to frame, upper & lower, 310C after s/n 761935	2	9.1
5	T78795	Pin	Swing tower to frame, upper & lower	2	9.8
			310C to s/n 761934, 410B, 410C, 410D to s/n 801199, 510B, 510C, 510D, 610B, 610C		
6	T126935	Bushing	Swing tower, upper & lower, 210C, 310C	2	10
7	U16051	Pin	Boom cylinder to swing tower, 310, 310A, 310B,	1	4
7	T125934	Pin	Boom cylinder to swing tower, 310C	1	11
8	T126936	Bushing	Swing tower to boom, 310 after s/n 236853, 310A, 310B, 310C	2	1
8	T33689	Bushing	Swing tower to boom, 410	2	1
9	T125914	Pin	Swing tower to boom, 310, 310A, 310B, 310C	2	2.6
9	AT86425	Pin	Swing tower to boom 410B, 410C, 410D, 510B, 510C, 510D, 610B, 610C	2	5.7
10		Boom Cylinder, refer to Section B			
11	H144296	Bushing	Boom cylinder tube end, 310D, 410D after s/n 801200	1	1
12	R97726	Bushing	Boom cylinder rod end, 310D, 410D after s/n 801200	1	1



Ref.	Part No.	Description	Notes	Qty.	Wt.
JOHN DEERE BACKHOE PINS & BUSHINGS					
13	T67060	Pin	Boom cylinder to boom, 410 after s/n 343952	1	9
13	T125933	Pin	Boom cylinder to boom, 310C	1	6.4
13	T133689	Pin	Boom cylinder to boom, 310D, 410D after s/n 801200	1	6.1
14		Dipper Cylinder, refer to Section B			
15	R97724	Bushing	Dipper cylinder tube end, 310D, 410D after s/n 801200	1	1
16	R82077	Bushing	Dipper cylinder rod end, 310C, 310D, 410C, 410D	1	1
18	T125936	Pin	Dipper cylinder rod end, 310D to s/n 780903, 310C, 410C	1	10
19	T33933	Bushing	Boom to Dipper, 310A, 310B, 410, 500C	4	1
19	T162582	Bushing	Boom to Dipper 210C, 300D, 310C, 310D, 410B, 410C, 410D, 410E std boom only, 510B, 510C, 510D, 610B, 610C	2	1
20	T125922	Pin	Boom to Dipper 210C, 300D, 310C, 310D, 410B after s/n 712717, 410C, 410D, 510B after s/n 712623, 510C, 510D, 610B after s/n 713298, 610C	1	14
21	T100188	Pin	Bucket cylinder tube end, 310C, 310D, 410C, 410D	1	4.1
22		Bucket Cylinder, refer to Section B			
23	R81850	Bushing	Bucket cyl tube end, 310C, 310D, 410C, 410D, 510C, 510D, 610C	1	1
24	R82077	Bushing	Bucket cyl rod end, 310C, 310D, 410C, 410D, 510C, 510D, 610C	1	1
25	U11121	Bushing	Dipper arm to H-Link	2	1
25	R72579	Bushing	Dipper arm to H-Link	2	0.4
26	T34301	Bushing	Dipper arm to bucket	2	0.8

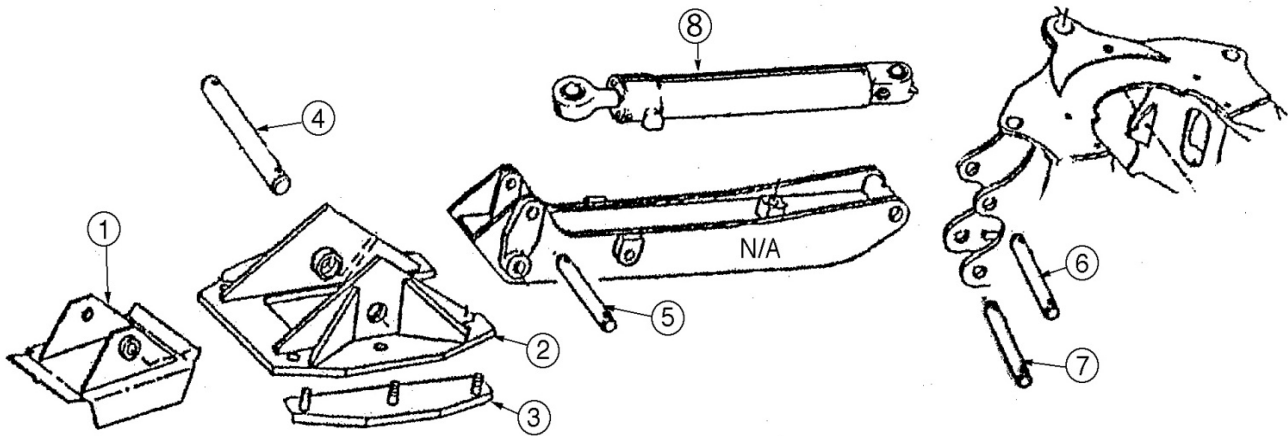


Ref.	Part No.	Description	Notes	Qty.	Wt.
JOHN DEERE 310, 310B, 410, 410B					
1	T125926	Pin	Bucket to dipper arm	1	10
2	T125931	Pin	Bucket to linkage	1	8
3	T34428	Pin	Cylinder to Linkage	1	8.2
4	T34425	Pin	Dipper to H-Link	1	5
5	T39046	H-Link	With bushings, dipper to cylinder	1	45
8	AT80539	Link	With bushings, H-Link to bucket	2	18
	T34427	Use AT80539			

JOHN DEERE 300D, 310C, 310D, 410C, 410D, 510C, 610C					
1	T125926	Pin	Bucket to dipper arm	1	10
2	T125931	Pin	Bucket to linkage	1	8
3	T125939	Pin	Cylinder to Linkage	1	12
4	T125929	Pin	Dipper to H-Link	1	6.7
5	AT158567	H-Link		1	78
6	R72579	Bushing		2	0.4
7	T101084	Bushing		2	0.6
8	AT146005	Link	H-Link to bucket	2	27
9	T101084	Bushing		2	0.6
10	T101148	Bushing		2	1

STABILIZER PARTS

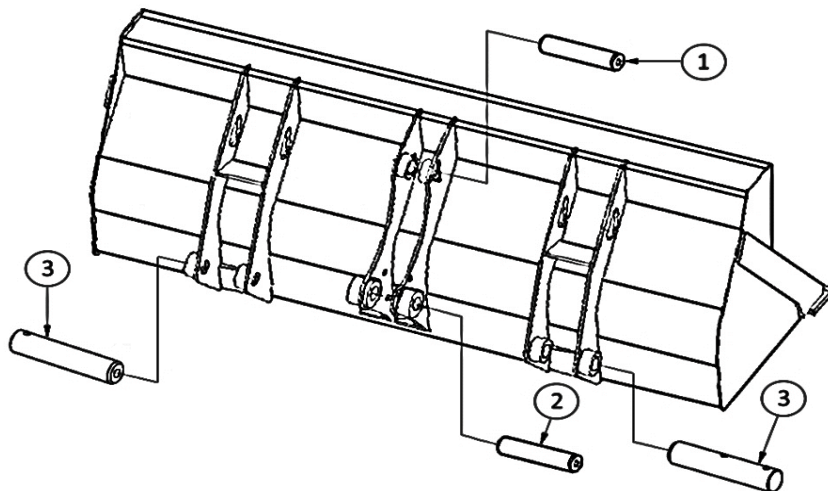
JOHN DEERE



Ref. Part No.	Description	Notes	Qty.	Wt.	
JOHN DEERE VARIOUS OLDER MODELS, PLEASE CALL					
1	T126867	Stabilizer Plate	Cleat	2	65
2	T166258	Stabilizer Plate	Reversible	2	63
3	AT195669	Rubber Pad		4	8
	AT157327	Stabilizer Pad Set	Contents: 4) AT195669 & 2) T166258 plates	1	158
4	T69472	Pin	Stabilizer arm to plate	2	10
5	T127437	Pin	Stabilizer cylinder rod to arm	2	6.6
6	T68296	Pin	Stabilizer cylinder tube end to machine	2	6.8
7	T34485	Pin	Stabilizer arm to machine	2	7.6
8		Stabilizer Cylinder	Refer to Section B		

LOADER PINS

JOHN DEERE



Ref. Part No.	Description	Notes	Qty.	Wt.	
JOHN DEERE 310E, 310SE, 310G, 310SG, 310J, 310SJ, 310K, 310SK, 410E, 410G, 410J, 410K					
1	T165333	Pin		1	
2	T165332	Pin		1	
3	T204908	Pin	(Will not fit 310SE)	2	