

Dozer Blade Parts,  
Crawler Loader Parts,  
Suspension Parts

# SECTION C

## DOZER BLADE PARTS, CRAWLER LOADER PARTS, DOZER SUSPENSION PARTS

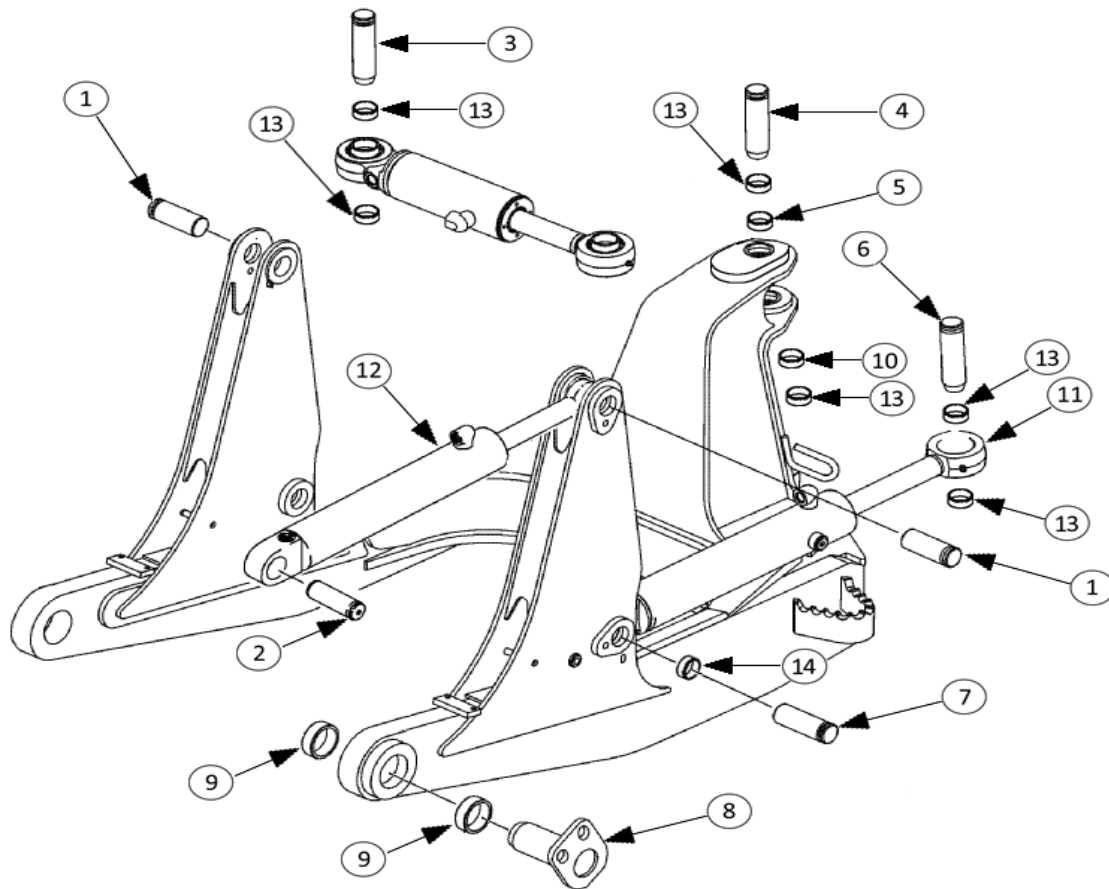
---

	Page
<b>BLADE &amp; C-FRAME PARTS</b>	
CASE	C2-C9
DRESSER	C18-C19
JOHN DEERE	C10-C17
<b>C-FRAMES</b>	
CASE	C5
JOHN DEERE	C13, C15
<b>CRAWLER LOADER PARTS</b>	
CASE	C1
JOHN DEERE	C1
<b>SUSPENSION PARTS</b>	
CASE	C20
CAT	C21

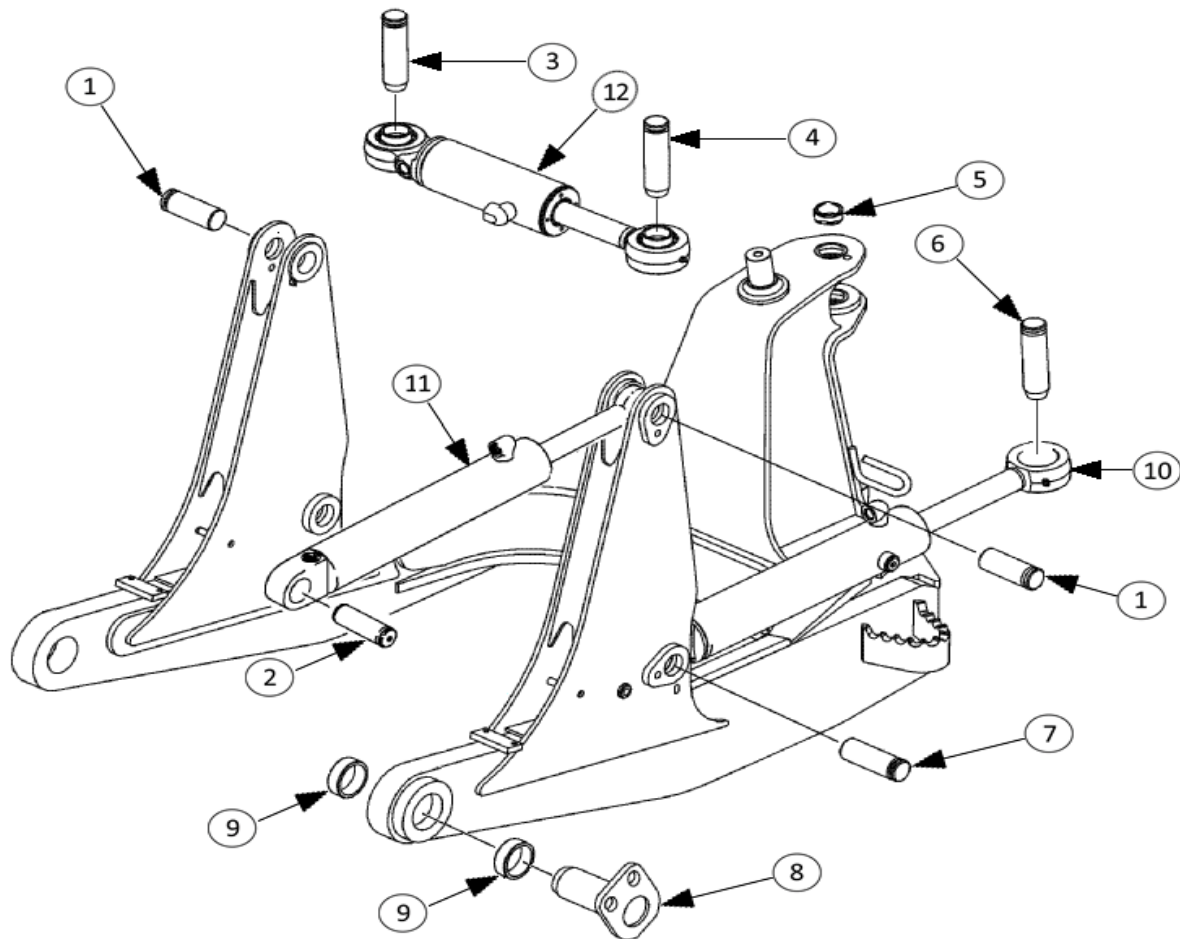
**DOZER & LOADER PARTS**

**CASE & JOHN DEERE**

Part No.	Description	Notes		Qty.	Wt.
<b>CASE 450, 450B, 455B, 455C</b>					
D34654	Pin	Link to bucket	450, 450B, 455B	2	2.1
D34655	Pin	Loader frame to bucket		2	3.7
D33047	Bushing	Bucket, upper	455C	4	0.3
D32865	Bushing	Bucket, upper	450, 450B, 455B	4	0.2
D33678	Bushing	Bucket, lower		4	1
D30929	Bushing	Frame at tilt cylinder	450, 450B, 455B	2	0.4
D30929	Bushing	Bucket link at bucket	450, 450B, 455B	2	0.4
D34354	Bushing	Bucket link, both ends	455C	4	0.2
D31140	Bushing	Bucket link at dump link	450, 450B, 455B	4	0.3
D34354	Bushing	Frame at lift cylinder		2	0.2
D30929	Bushing	Frame at dump link	450B, 455B	2	0.4
D30931	Bushing	Frame at dump link	450	2	0.6
D31142	Bushing	Frame at bucket		2	0.8
D33047	Bushing	Lift cylinder, rod		4	0.3
D32865	Bushing	Tilt cylinder, rod	450, 450B, 455B	4	0.2
D33047	Bushing	Tilt cylinder, rod	455C	4	0.3
G103411	Bushing	Tilt cylinder, trunnion	450B, 455B	4	0.2
<b>CASE 850B, 850C, 855C</b>					
R48920	Pin	Bucket mounting		4	6.3
D33659	Bushing	Frame at lift cylinder		4	0.4
D37723	Bushing	Lift & tilt cylinder bushings		16	0.3
D31142	Bushing	Link at bucket		2	0.8
D33659	Bushing	Leveling link, short & Link at tilt cylinder		8	0.4
D33023	Bushing	Leveling link, long & Frame at bucket		4	1
D31142	Bushing	Frame at dump link	850B	4	0.8
D33024	Bushing	Frame at dump link	850C, 855C	4	0.5
<b>CASE 1150, 1150B, 1150C, 1155D, 1155E</b>					
R27061	Pin	Bucket	1150B, 1150C, 1155D, 1155E	4	7.2
R13427	Pin	Bucket	1150	4	6
D33023	Bushing	Bucket	1150	8	1
D31142	Bushing	Tilt link at bucket	1150, 1150B	2	0.8
D33678	Bushing	Tilt link at lever	1150	2	1
D31142	Bushing	Tilt link, both ends	1150B, 1150C, 1155D, 1155E	4	0.8
D31142	Bushing	Lift frame at bucket	1150	4	0.8
R27011	Bushing	Lift frame at main frame	1150B, 1150C, 1155E	2	1
<b>JOHN DEERE 450, 450B, 450C, 455D, 455E, 555, 555B</b>					
AT31947	Link R/H			1	46
AT31948	Link L/H			1	46
T32679	Link			2	20
T32682	Link	To Bucket		2	35
AT86423	Pin	Bucket Upper		2	4.7
T32601	Pin	Bucket Upper		2	4.7
AU14012	Pin	Bucket Lower		2	4.7
T32677	Pin	Loader Linkage		2	5



Ref.	Part No.	Description	Notes		Qty.	Wt.
<b>CASE 650G, 650H, 750H, 850G, 850H</b>						
1	181427A1	Pin	Lift cylinder, rod	650G, 650H, 750H, 850H	2	
1	119097A1	Pin	Lift cylinder, rod	850G	2	3.4
2	119097A1	Pin	Lift cylinder, tube	(not for 650H)	2	3.4
3	119101A1	Pin	Tilt cylinder, tube		1	3.8
4	119106A1	Pin	Tilt cylinder, rod		1	
5	D43940	Bushing			2	0.5
6	119101A1	Pin	Angle Cylinder, rod		2	3.8
7	119097A1	Pin	Angle Cylinder, tube	(not for 650H)	2	3.4
8	R53254	Pin	C-Frame mount		2	11
9	D33635	Bushing			4	0.4
	95-81156	Washer	C-Frame Pin		AR	0.2
10	D40243	Bushing			2	0.4
14	103-16175	Snap Ring			2	0.05
11	190595A2	Angle Cylinder			2	70
	613524C91	Bushing, rod end & tube end			4	1.4
	103-21281	Snap Ring, rod end & tube end			8	0.05
12	116211A2	Lift Cylinder				
	D40243	Bushing, rod end & tube end			8	0.4
	613524C91	Bushing, rod end & tube end	For Tilt Cylinder		2	1.4
	103-21281	Snap Ring, rod end & tube end	For Tilt Cylinder		4	0.05
13	121167A1	Bushing			8	
14	121166A1	Bushing			4	



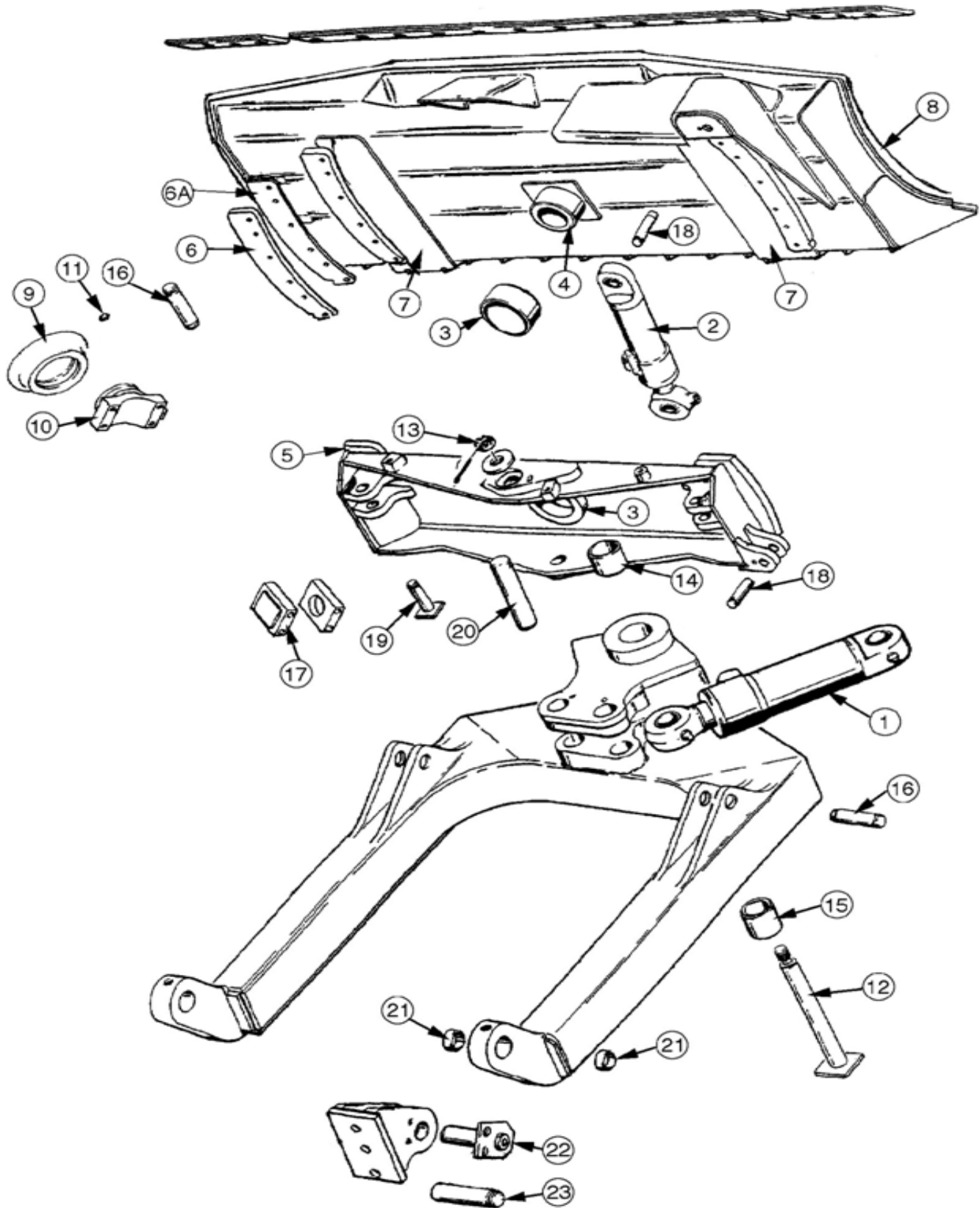
Ref.	Part No.	Description	Notes	Qty.	Wt.
<b>CASE 650K, 750K, 850K</b>					
1	345410A1	Pin	Lift cylinder, rod	2	3.1
2	405607A1	Pin	Lift cylinder, tube	2	3.4
3	435157A1	Pin	Tilt cylinder, tube	1	3.8
4	435157A1	Pin	Tilt cylinder, rod	1	3.8
5	D43940	Bushing		2	0.5
6	435157A1	Pin	Angle Cylinder, rod	2	3.8
7	446456A1	Pin	Angle Cylinder, tube	2	3.1
8	405608A1	Pin	C-Frame mount	2	11
9	D33635	Bushing		4	0.4
	495-81283	Washer	C-Frame Pin	6	0.2
10	412359A1	Angle Cylinder		2	70
	407538A1	Bushing, rod end		2	
	407539A1	Bushing, tube end		2	
	103-21281	Snap Ring, rod end & tube end		8	0.05
11	417854A1	Lift Cylinder, Non-Stock		2	
	D40243	Bushing, rod end & tube end		8	0.4
12	412357A1	Tilt Cylinder, Non-Stock		1	
	407538A1	Bushing, rod end & tube end		2	
	103-21281	Snap Ring, rod end & tube end		4	0.05



## DOZER BLADE PARTS

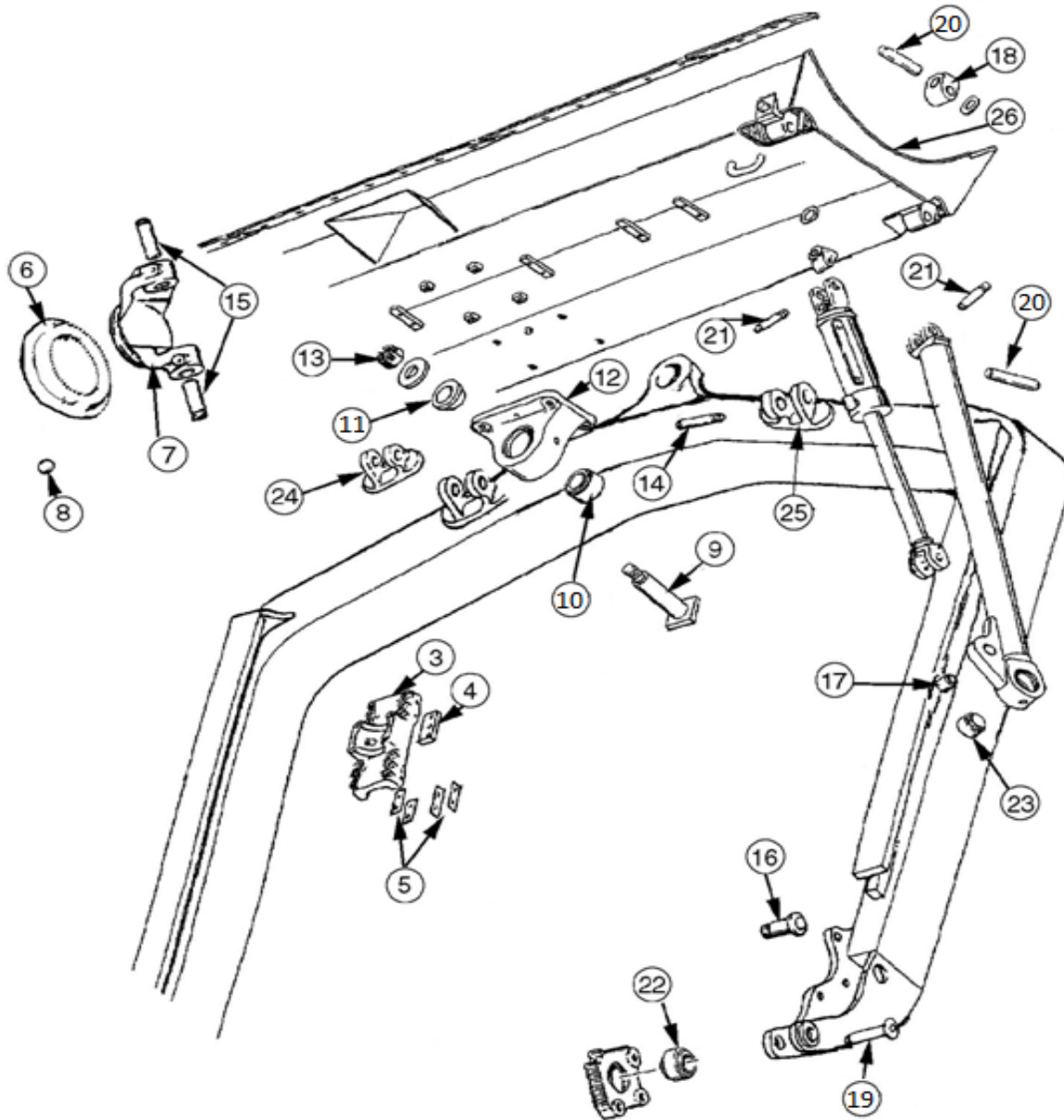
## CASE 450, 550

Ref. Part No.	Description	Notes	Qty.	Wt.
<b>CASE 450, 450B, 450C, 550, 550E, 550G</b>				
1	140146A1	Angle Cylinder	2	66
<b>CASE 450, 450B, 450C, 550, 550E, 550G</b>				
2	G101228	Tilt Cylinder	450, 450B, 450C, 550	1 58
2	1542717C1	Tilt Cylinder	550E, 550G	1 39
<b>CASE 450, 450B, 450C, 550, 550E, 550G</b>				
3	D34855	Swivel Ring		1 10
4	D34869	Swivel Plate		1 6
5	R58793	Rub Plate		2 20
6	127980A1	Slide Plate		2 11
	61-46224	Socket Head Bolt	450, 450B, 450C, 550, 550E	4 1
7	R58808	Threaded Anchor		2 6
8	D47766	Backer Plate	450, 450B, 450C, 550, 550E	2 23
9	D47911	Shim		AR 1
10	D46466	Bracket, Lift Cylinder		2 4.1
11	PV500	Blade Face	86" x 24" (1 pc.) 450, 450B, 450C, 550, 550E	1 145
11	PV505	Blade Face	96" x 24" (1 pc.) 450, 450B, 450C, 550, 550E	1 162
13	D34793	Trunnion	450, 450B, 450C, 550, 550E	2 14
	R27967	Spacer	450, 450B, 450C, 550, 550E	2 8
14	R32490	Cap Assembly	450, 450B, 450C, 550, 550E	2 8.8
15	R32466	Cap Only	450, 450B, 450C, 550, 550E	2 3.3
16	D31317	Race, Lift Cylinder Trunnion		2 8
17	R47082	Lift Cylinder Trunion		2 12
18	211-1024	Ball		38 1
19	D34789	Pin	Main Center	1 15.2
20	D24508	Pin	Lift Cylinder On Nose Piece	4 0.6
	30634	Bushing	Lift Cylinder On Nose Piece	4 0.1
21	D46467	Pin	Lift Cylinder (Dozer Models)	2 1.3
22	D34796	Pin	Tilt Cylinder	2 2
23	D34795	Pin	Angle Cylinder	4 2.5
23	D34795	Pin	Angle Cylinder to C-frame (550E, 550G)	2 2.5
23	D44881	Pin	Angle Cyl. to leveling beam (550E, 550G)	2 2.7
	D32865	Bushing	140146A1 Angle Cylinder	8 0.2
	D32865	Bushing	G101228 Tilt Cylinder	4 0.2
	D30930	Bushing	1542717C1 Tilt Cylinder	4 0.2
24	D33023	Bushing	Center U Frame	2 1
25	R50774	Pin	Rear C-Frame	2 2.1
26	D32919	Bushing	Blade Mount	4 0.2
27	25-1224	Slotted Nut	Center Pin	1 0.8
28	D30930	Bushing	Included in Mounting Brackets	4 0.2
29	D31142	Bushing	Cross Frame	2 0.8
30	R47535	Bracket	450C	2 25
30	R55861	Bracket	450C LT, 550, 550E 550G	2 33
31	241962A1	C-Frame	450B, 450C, 550, 550E, 550G	1 481





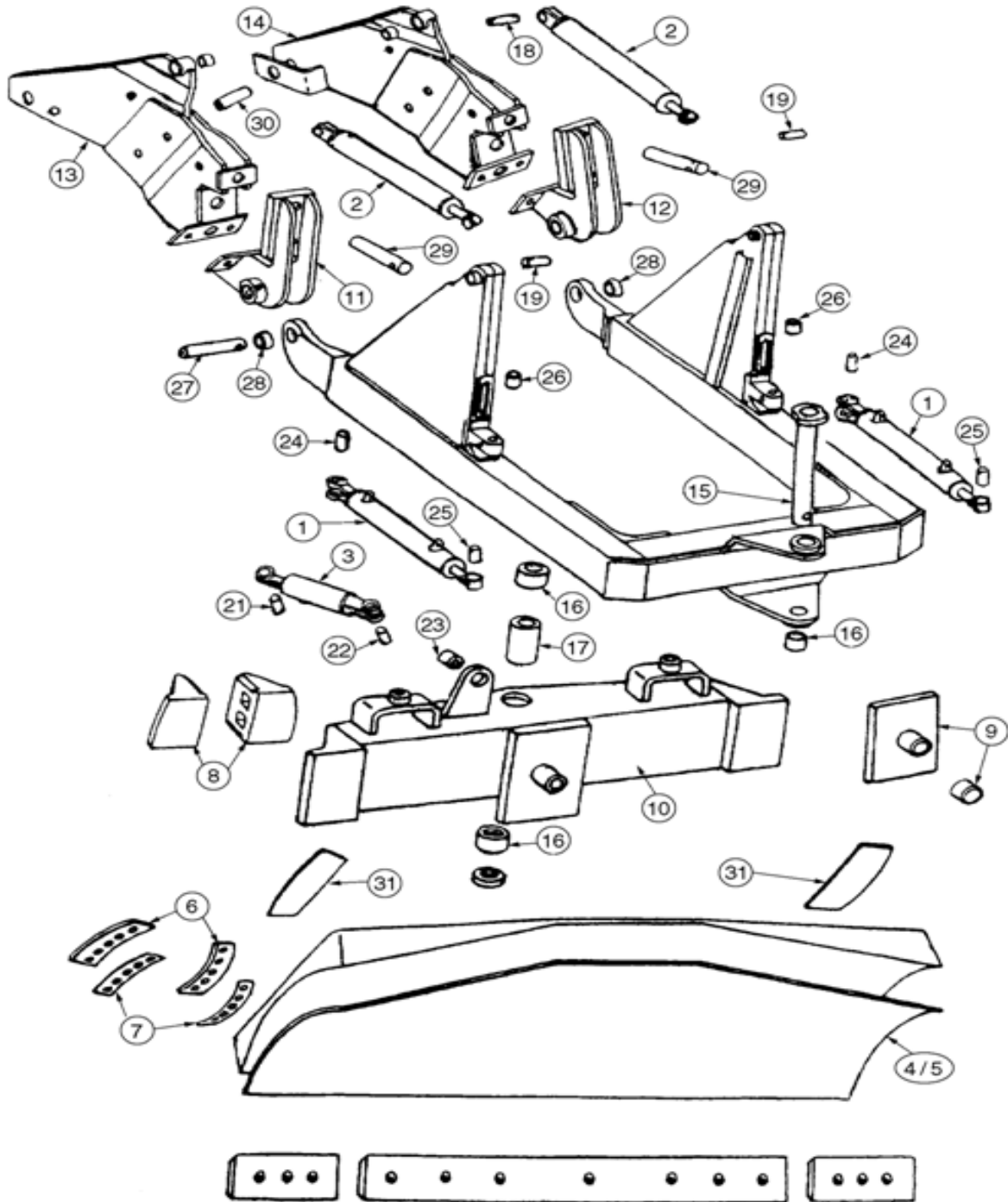
Ref.	Part No.	Description	Notes	Qty.	Wt.
<b>CASE 850B, 850C, 850D, 850E</b>					
1	1542644C1	Angle Cylinder		2	85
2	G109485	Tilt Cylinder		1	65
3	100195A1	Swivel Ring	Outer	1	20
4	R44319	Swivel Ring	Inner	1	16
5	100196A1	Rub Plate		2	25
6	128865A1	Wear Plate		2	25
6A	R31647	Shim		4	2
7	100256A1	Rub Plate L/H		1	18
7	100255A1	Rub Plate R/H		1	18
8	PV502	Blade Face	102" x 33" (1 pc.)	1	234
9	R48191	Race	For Lift Cylinder Trunnion	2	20
10	R49038	Lift Cylinder Trunnion		2	9
11	211-1024	Ball		38	1
12	R31968	Pin	Main Center	1	28
13	25-1224	Slotted Nut		1	0.8
14	R31914	Bushing	Main Center Upper	1	1.4
15	R27011	Bushing	Main Center Lower	1	1
16	D51045	Pin	Lift Cylinder	2	2.1
	D32919	Bushing	Lift Cylinder	4	0.2
17	R48604	Plate	Lift Cylinder To Cowl	4	2
18	D34796	Pin	Tilt Cylinder, 850B, 850C	2	2
18	R50191	Pin	Tilt Cylinder, 850D, 850E	2	2
	D29325	Bushing	Tilt Cylinder, 850B, 850C, 850D	4	0.4
	D32865	Bushing	Tilt Cylinder, 850E	4	0.2
19	R31965	Pin	Angle Cylinder Outside, 850B, 850C, 850D	2	4.2
19	R56417	Pin	Angle Cylinder Outside, 850E	2	3.9
20	R31966	Pin	Angle Cylinder Inside, 850B, 850C, 850D, 850E	2	5
	D34340	Bushing	Angle Cylinder	8	0.3
21	D33678	Bushing	C-Frame to Dozer	4	1
22	R39700	Pin	Rear Blade, 850B	2	6.8
23	R45977	Pin	Rear Blade, 850C, 850D, 850E	2	4.7
	D40091	Bushing	C-frame mounting bracket, Inner	2	0.8
	D33024	Bushing	C-frame mounting bracket, Outer	2	0.5



## DOZER BLADE PARTS

## CASE 1150, 1450

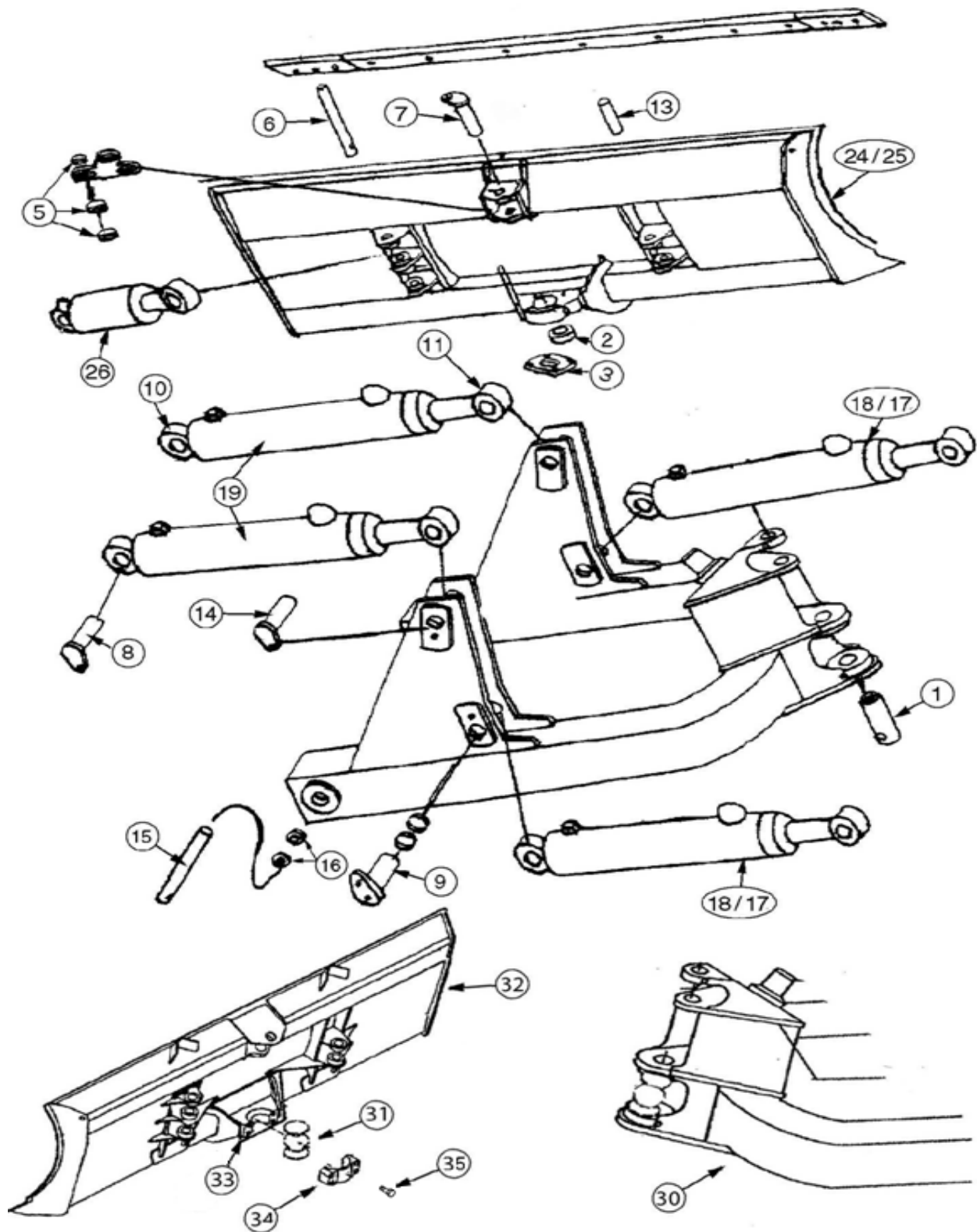
Ref.	Part No.	Description	Notes	Qty.	Wt.
<b>CASE 1150B, 1150C, 1150D, 1150E</b>					
3	R57241	Slide Bracket		2	32
4	R30999	Threaded Wear Plate		8	2
5	R30874	Strip		16	1
6	R54811	Race	Lift Cylinder Trunion	2	16
7	R54810	Lift Cylinder Trunion		2	25
8	211-1024	Ball		50	1
<b>CASE 1150B, 1150C, 1150D, 1150E, 1150G</b>					
9	R26672	Pin	Center, 1150B, 1150C (2 1/2" OD)	1	15
9	R45099	Pin	Center, 1150D, 1150E, 1150G (2 3/4" OD)	1	18
10	R26680	Bushing	Center, 1150B (3 15/16" OD)	1	4
	A55435	Snap Ring		1	1
10	R37021	Bushing	Center, 1150B, 1150C (4 3/8" OD)	1	6
10	R41800	Bushing	Center, 1150D, 1150E, 1150G (4 3/8" OD)	1	5
	R32220	Snap Ring		1	1
11	R37022	Spacer	Use with R37021	2	2
11	R45224	Spacer 41M	Use with R41800	2	4
11	R55700	Spacer 36M	Use with R55698	2	3
12	R58345	Blade Mount Bracket	1150D, 1150E, 1150G	1	76
10	R55698	Bushing	Blade Center, 1150D, 1150E, 1150G (4 3/4" OD)	1	9
	39325	Snap Ring		1	1
13	25-1224	Nut		1	0.8
14	D32930	Pin	Lift Cylinder on Frame	2	2.5
15	D36176	Pin	Lift Cylinder On Cowl	4	1.2
	D31140	Bushing	Lift Cylinder	4	0.3
16	D52386	Pin	Tilt Cylinder	2	2
17	D30929	Bushing	Tilt Cylinder	2	0.4
18	70315	Tilt Block		4	6
19	D51014	Pin	Angle Cylinder 1150B, 1150C	2	2
19	R45056	Pin	Angle Cylinder 1150D, 1150E	2	2.2
20	R45247	Pin	Front Block 1150D, 1150E	4	2.1
21	D32933	Pin	Rear Block	4	1.7
22	15-40	Bushing		2	3
23	D23601	Bushing		2	2
26	PV517	Blade Face	120" x 34" (2 pc.)	1	305
<b>CASE 1450B, 1550 Blade Mount</b>					
12	R37198	Blade Mount Bracket		1	77
10	R37037	Bushing		1	8
	T38110	Snap Ring		1	1
9	R56816	Pin	Center 1550	1	26
9	R53289	Pin	Center 1450, 1450B	1	26



## DOZER BLADE PARTS

## JOHN DEERE 350, 450, 550

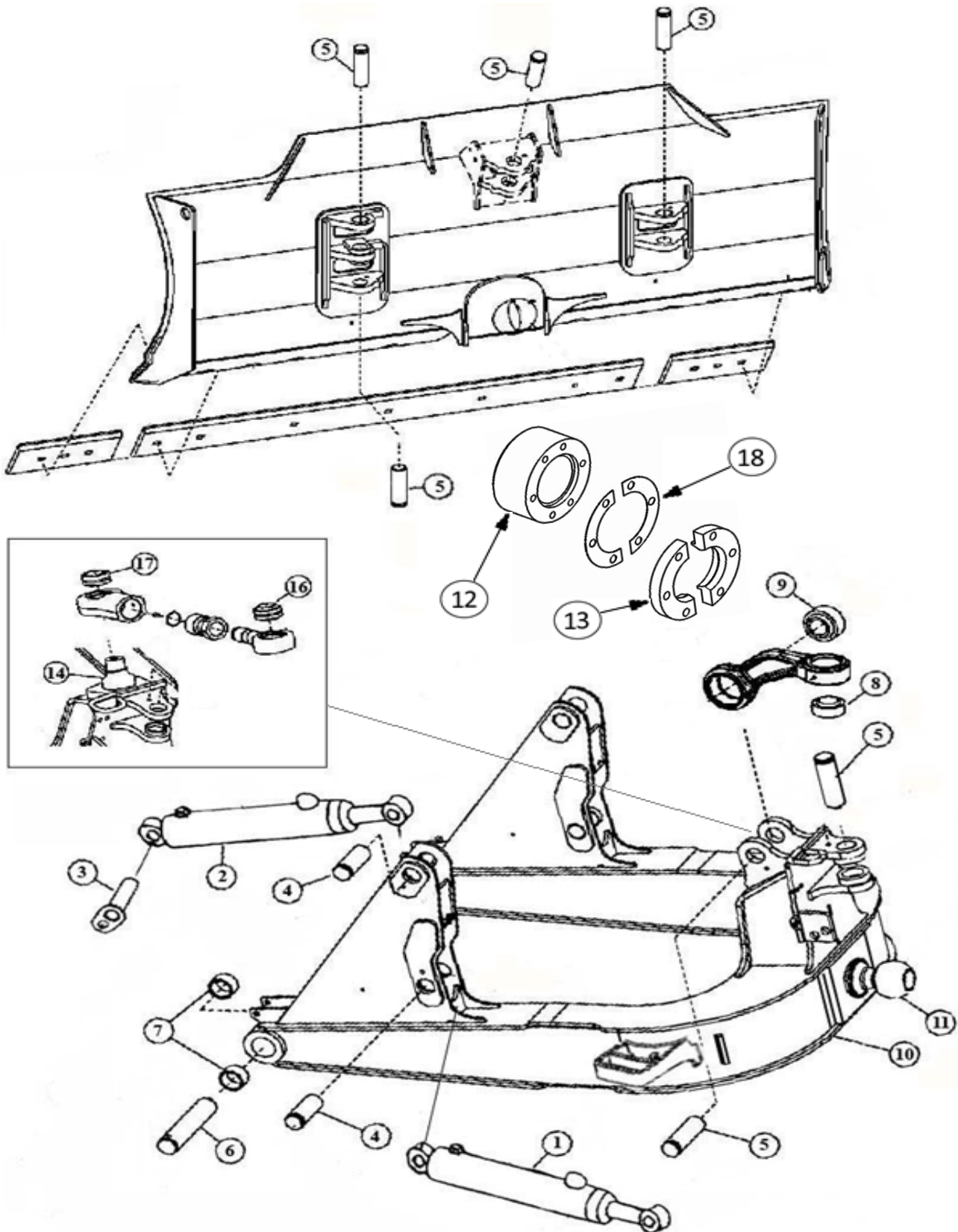
Ref. Part No.	Description	Notes	Qty.	Wt.
<b>JOHN DEERE 350, 350B, 350C</b>				
3	AU13835	Tilt Cylinder	Will replace AT44162	1 22
<b>JOHN DEERE 450, 450B, 450C, 450D, 450E, 550, 550B (6405 Blade)</b>				
1	AU13861	Angle Cylinder		2 60
2	AT40473	Lift Cylinder		2 64
3	AU13847	Tilt Cylinder		1 40
	T106947	Hose Shield		2 9
	T37239	Clamp		4 0.8
4	T80343	90" Blade Face	90" x 29" (1 pc.)	1 186
5	T80358	96" Blade Face	96" x 31" (1 pc.)	1 209
6	T105543	Slide Plate		2 12
7	T34408	Shim		AR 0.5
9	AU13937	Pin Pivot Kit		1 24
10	BU10737	Main Cross Frame		1 300
11	AU14504	Pivot R/H		1 38.8
12	AU13968	Pivot L/H		1 38.7
13	BU10740	Blade Mount R/H		1 138
14	BU10741	Blade Mount L/H		1 150
15	AT48589	Pin	Main Center	1 13
16	U16878	Bushing	Main Center	4 1.3
17	28H2161	Spacer	Cross Frame to U Frame	1 2
18	U12660	Pin	Lift Cylinder Rear	2 1.3
19	U16925	Pin	Lift Cylinder Front	2 1.6
	U15925	Bushing	Lift Cylinder rod end & Tilt Cylinder rod end	6 1
21	T105536	Pin	Tilt Cylinder rod end	1 1.4
22	U17292	Pin	Tilt Cylinder tube end	1 1
23	U11013	Bushing	Tilt Cylinder on main frame	1 1
24	U16915	Pin	Angle Cylinder Rear	2 1.6
25	U16916	Pin	Angle Cylinder Front	2 2.1
	U13064	Bushing	Angle Cylinder Front (1 will replace 2 OEM bushings)	2 1
26	U16935	Bushing	Angle Cylinder Rear	2 1
27	U16920	Pin	C-Frame Rear	2 4.6
28	U16875	Bushing	C-Frame Rear	2 1
29	U41528	Pin	Cross member	2 5.4
30	T47054	Pin	Mounting Frame Rear	2 1.3
31	T105544	Wear Plate		2 4



## DOZER BLADE PARTS

## JOHN DEERE G MODELS

Ref.	Part No.	Description	Notes	Qty.	Wt.
<b>JOHN DEERE 450G, 450G LONG TRACK</b>					
18	AH161764	Angle Cylinder		2	56
	AH212090	Seal Kit, Bore		2	0.1
	AH149194	Seal Kit, Rod		2	0.1
	AT157173	Bushing	Not included in cylinder	4	2
<b>JOHN DEERE 450G WIDE TRACK, 550G, 650G</b>					
17	AH161770	Angle Cylinder		2	58
	AH149842	Seal Kit, Bore		2	0.1
	RE20434	Seal Kit, Rod		2	0.1
	AT157173	Bushing	Not included in cylinder	4	2
<b>JOHN DEERE 450G, 550G, 650G</b>					
19	AH161762	Lift Cylinder		2	56
	AH149842	Seal Kit, Bore		2	0.1
	AH149194	Seal Kit, Rod		2	0.1
<b>JOHN DEERE 650G</b>					
26	AH161766	Tilt Cylinder		1	49
	AH149844	Seal Kit, Bore		1	0.1
	AH148164	Seal Kit, Rod		1	0.1
	AT157173	Bushing	Not included in cylinder	2	2
<b>JOHN DEERE 450G, 550G, 650G</b>					
1	T122600	Pin	Center, old style	1	15
2	AT157247	Bushing	Center, old style	1	7
3	T124132	Retainer Plate	For AT157247 bushing	2	3
	T112826	Spacer	For AT157247 bushing	2	1
5	AT157174	Bushing	Blade Link	3	4
6	T104739	Pin	Angle & Tilt Cylinder	1	8.1
7	AT120388	Pin	Pitch	1	7
8	AT85792	Pin	Lift Cylinder, rear	4	3.5
9	AT142432	Pin	Angle Cylinder, rear	4	3.4
10	R89683	Bushing	Lift Cylinder, rear	2	1
11	R89940	Bushing	Lift Cylinder, front	2	1
13	T104741	Pin	Angle Cylinder, front	1	4.4
14	AT113692	Pin	Lift Cylinder, front	2	3.2
15	T122576	Pin	C-Frame, rear	2	8.4
16	T122720	Bushing	C-Frame, rear	4	0.4
16	T68818	Seal	C-Frame, rear	4	0.05
24	PV507	Blade Face	104" x 31" (2 pc.)	1	230
25	PV508	Blade Face	120" x 31" (2 pc.)	1	275
<b>JOHN DEERE 450G LGP &amp; WIDE TRACK, 550G, 650G</b>					
30	AT184571	C-Frame		1	750
31	T147801	Ball	Included in C-Frame	1	22
33	T180534	Socket	Gussets included	1	39
	T144253	Shim		AR	
34	T180535	Cap		1	19
35	19M7963	Bolt		4	0.65

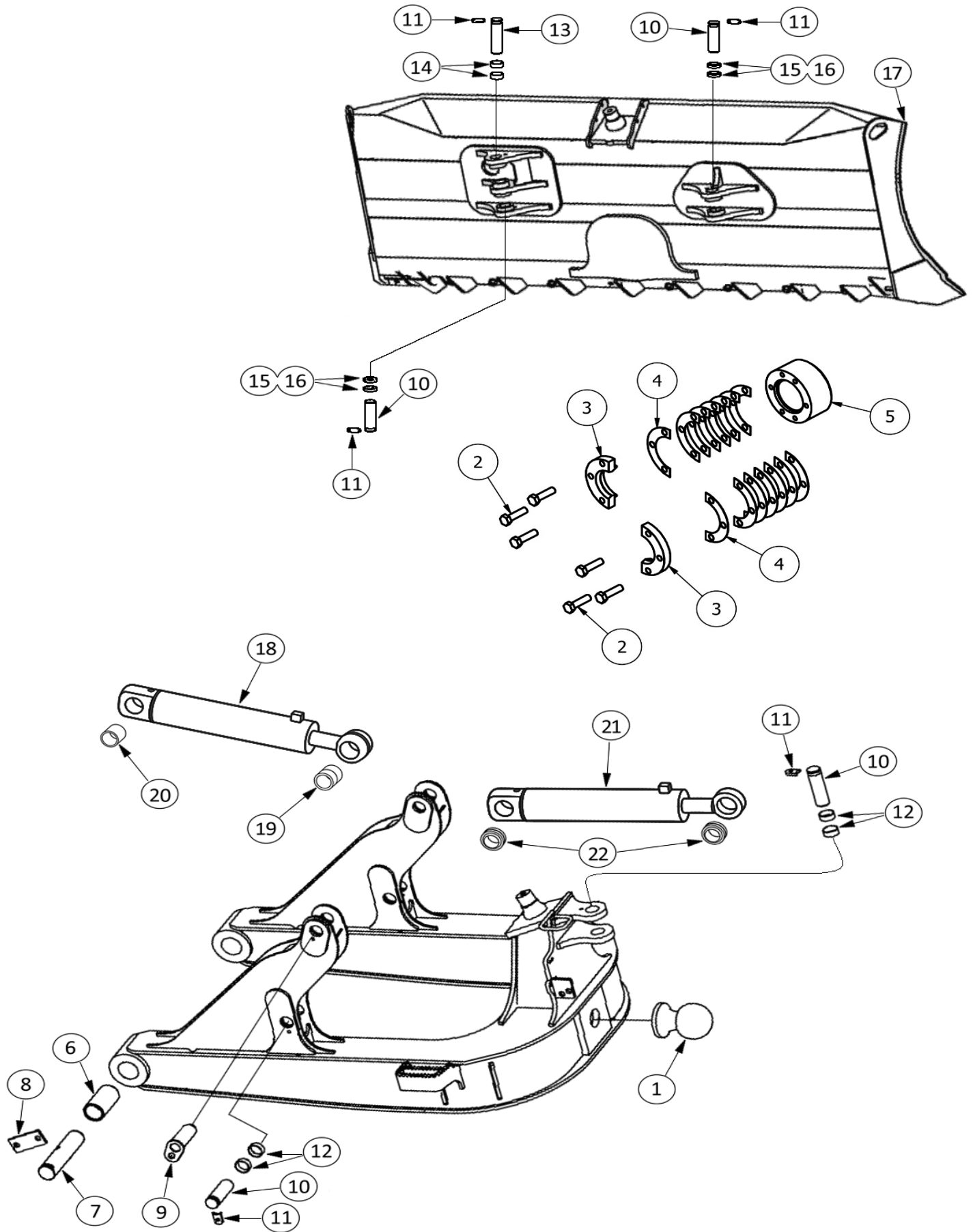




## DOZER BLADE PARTS

## JOHN DEERE H &amp; J MODELS

Ref.	Part No.	Description	Notes	Qty.	Wt.
<b>JOHN DEERE 450H, 450J</b>					
1	AH216716	Angle Cylinder	Without bushings	2	41
	AH137177	piston, NSS	Unitized		
	AH155619	Bushing	Tube end, sold separate	1	1
	AT157173	Bushing	Rod end, sold separate	1	2
<b>JOHN DEERE 550H, 550J, 650H, 650J</b>					
1	AH211851	Angle Cylinder	Without bushings	2	51
	AH212090	Seal Kit, Bore		1	0.1
	AH149813	Seal Kit, Rod		1	0.1
	AH155619	Bushing	Tube end, sold separate	1	1
	AT157173	Bushing	Rod end, sold separate	1	2
<b>JOHN DEERE 450H</b>					
2	AH150349	Lift Cylinder	With bushings	2	54
	AH149842	Seal Kit, Bore		1	0.1
	AH149194	Seal Kit, Rod		1	0.1
	R89683	Bushing	Tube end	1	1
	R84376	Bushing	Rod end	1	1
<b>JOHN DEERE 450J, 550H, 550J, 650H, 650J</b>					
2	AH163865	Lift Cylinder	With bushings	2	54
	AH149842	Seal Kit, Bore		1	0.1
	AH149194	Seal Kit, Rod		1	0.1
	R89683	Bushing	Tube end	1	1
	R84376	Bushing	Rod end	1	1
<b>JOHN DEERE 450H, 450J, 550H, 550J, 650H, 650J</b>					
3	AT211297	Pin	Lift cylinder tube end	2	3.8
4	T170891	Pin	Lift cylinder rod end, Angle cylinder tube end	4	3.2
5	T170879	Pin	Angle cyl rod end, Tilt cyl both ends, Pitch jack both ends	6	4
6	T122628	Pin	Rear C-Frame	2	8.4
7	T122720	Bushing	Rear C-Frame	4	0.4
8	AT157173	Self Aligning Bushing	Pitch jack to blade	1	2
9	AT209365	Self Aligning Bushing	Pitch jack to C-Frame		
	PV512	Blace Face	96" x 31" (1 pc.)	1	197
	PV502	Blade Face	102" x 33" (1 pc.)	1	234
	PV517	Blade Face	120" x 34" (2 pc.)	1	305
10	AT302874	C-Frame	Heavy Duty, with step	1	870
To use our C-Frame on machines with adjustable pitch link, item # 14 must be purchased and welded to C-Frame.					
11	T196072	Ball		1	16
12	T181021	Socket		1	30
13	T196073	Cap		2	3.4
18	T180582	Shim		14	
	19M7759	Bolt	Blade socket	6	
14	AT310824	Pivot	Convenience assembly	1	14
16	AT157173	Self Aligning Bushing	Pitch jack to blade	1	2
17	AT128773	Self Aligning Bushing	Pitch jack to C-Frame	1	1.4



**BLADE PARTS**

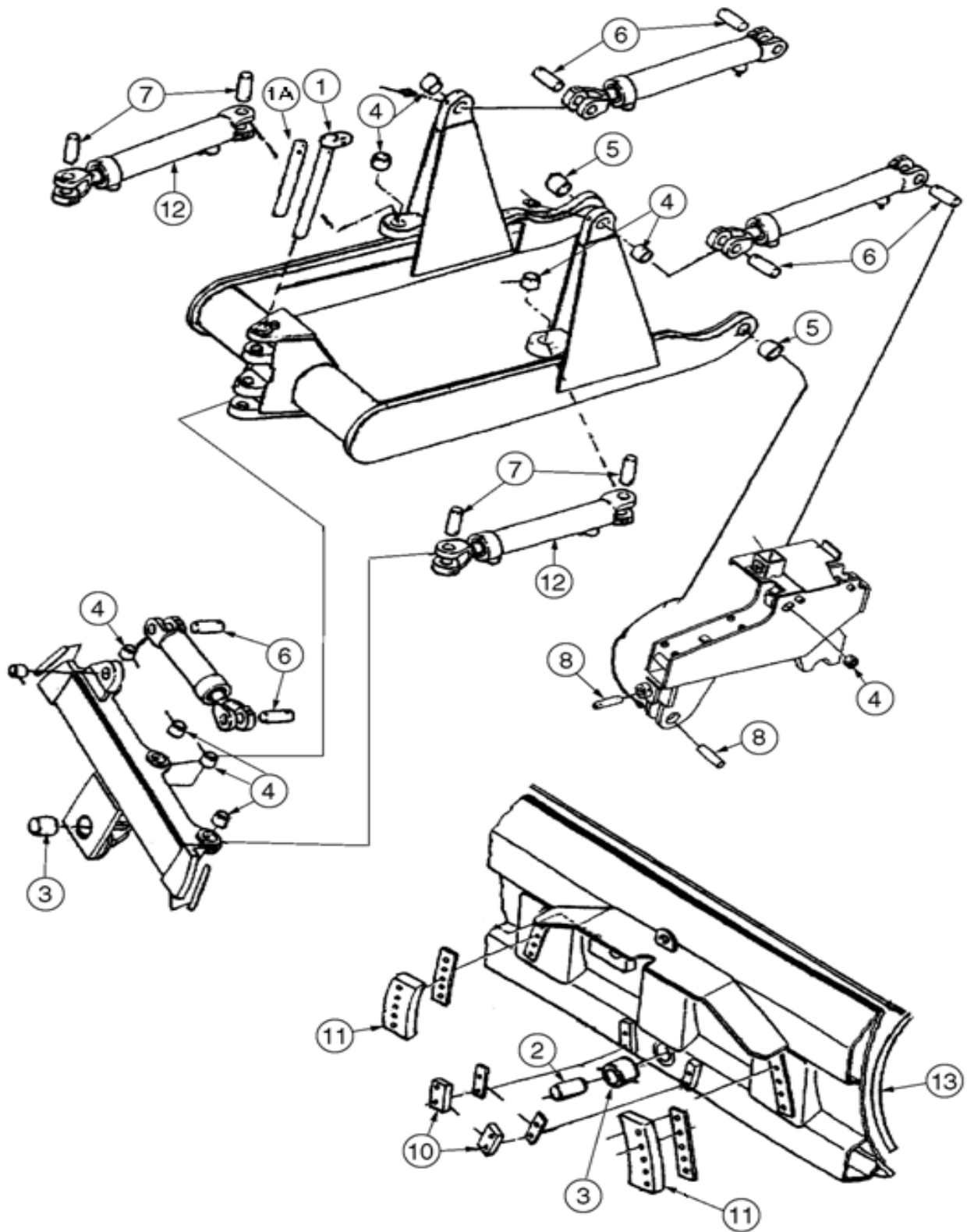
**700H, 700J, 700K**

Ref.	Part No.	Description	Notes	Qty.	Wt.
<b>JOHN DEERE 700H, 700J, 700K</b>					
1	T179350	Ball		1	
2	19M8639	Bolt	Blade socket	6	0.4
3	T177108	Retainer	Purchase qty. 2 for matching set	2	
4	T177209	Shim		8	
5	T177111	Socket		1	
6	T177029	Bushing		2	
7	T177030	Pin		2	
8	T177028	Strap		2	
9	AT221145	Pin	Lift Cylinder, both ends	4	5.2
10	T176360	Pin		5	
11	T177000	Strap		6	
12	T176988	Bushing		6	
13	T180374	Pin		1	
14	T176988	Bushing			0.2
15	T176988	Bushing	700H		0.2
16	T126814	Bushing	700J, 700K		0.2
17	PV513	Blade Face	128" x 38" (2 pc.)	1	
	T231115	Retainer, Not Available - Order qty. 2 T177108			
	T231116	Retainer, Not Available - Order qty. 2 T177108			

<b>JOHN DEERE 700H, 700J, 700K</b>					
18	AH215878	Lift Cylinder		2	
19	R81971	bushing	Lift cylinder rod end	2	1.6
20	R81968	bushing	Lift cylinder tube end	2	0.8
	AH148164	rod kit		2	0.1
	AH149844	bore kit		2	0.1

<b>JOHN DEERE 700H, 700J, 700K</b>					
21	AH211335	Angle Cylinder		2	
	AH149814	rod kit		2	0.1
	AH149843	bore kit		2	0.1
22	AH150341	bushing	Spherical	4	1.2
	40M5099	snap ring		8	

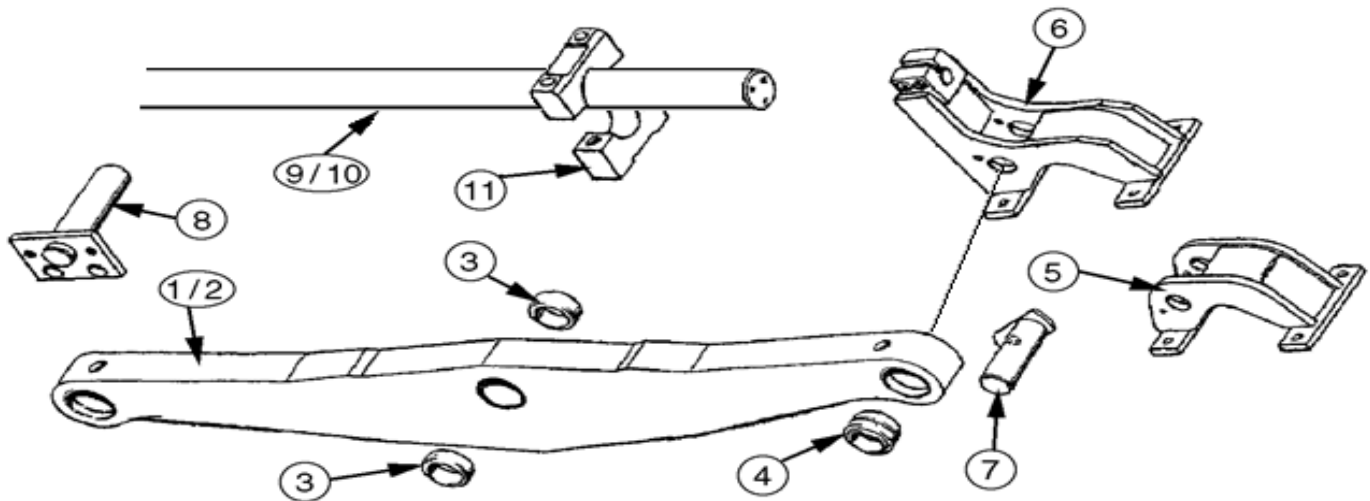
<b>JOHN DEERE 700H, 700J, 700K</b>					
	AH216998	Tilt Cylinder		1	
	AH148164	rod kit		1	0.1
	AH149844	bore kit			0.1
	AH150341	bushing	Spherical	2	1.2
	40M5099	snap ring		4	



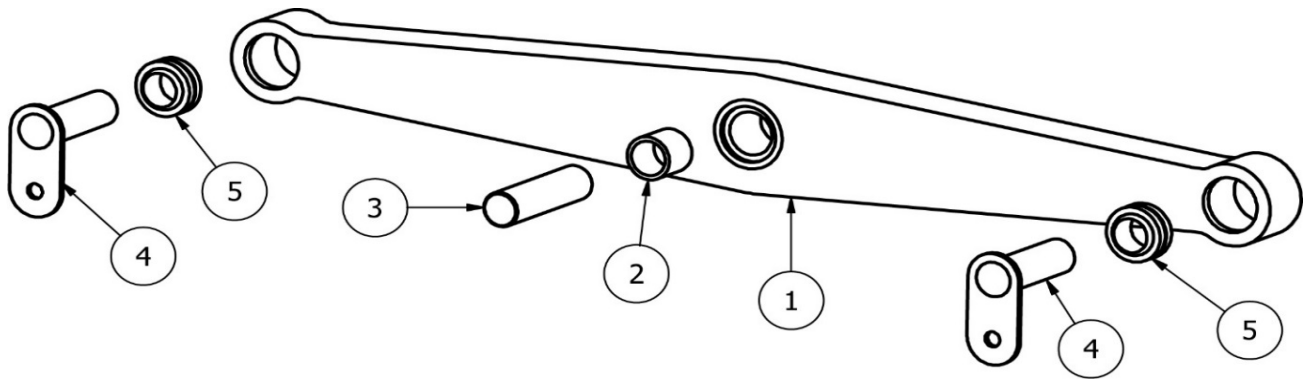
## DOZER BLADE PARTS

## DRESSER TD7, TD8

Ref.	Part No.	Description	Notes	Qty.	Wt.
<b>TD7C, TD7E Blade Pins &amp; Bushings</b>					
1	1209087H1	Pin	Main Blade	1	9.3
		Use (1) 1209087H1 to Replace (2) 620562C1			
2	620528C2	Pin	Main Center	1	8
3	705746C1	Bushing	Blade Center	2	1
4	618988C1	Bushing	Blade	12	1
5	620564C1	Bushing	C-Frame	2	1
6/7	620621C1	Pin	Cylinder Mount	10	3
8	620873C2	Pin	Blade Mount	4	5
10	646670C1	Retainer	Lower	2	3
11	705740C1	Retainer	Upper	2	8
<b>TD7G Blade Pins &amp; Bushings</b>					
1	1209087H1	Pin	Main Blade	1	9.3
2	620528C2	Pin	Blade Center	1	8
3	705746C1	Bushing	Blade Center	2	1
4	618988C1	Bushing	Blade	12	1
5	620564C1	Bushing	C-Frame	2	1
6	620621C1	Pin	Lift & Tilt Cylinder	6	3
8	620873C2	Pin	Trunion & C-Frame	4	5
10	646670C1	Retainer	Lower	2	3
11	705740C1	Retainer	Upper	2	8
<b>TD8C, TD8E Blade Parts &amp; Pins &amp; Bushings</b>					
1A	620664C1	Pin	Main Blade	2	4.8
2	620693C2	Pin	Blade Center	1	9
3	705734C1	Bushing	Blade Center	2	1
4	618962C1	Bushing	Blade	12	0.4
5	620665C1	Bushing	C-Frame	2	0.8
6/7	645351C1	Pin	Cylinder Mount	10	2.7
8	620873C2	Pin	Trunion & C-Frame	4	5
10	646670C1	Retainer	Lower	2	3
11	705760C1	Retainer	Upper	2	8
12	620630C92	Angle Cylinder		2	71
<b>TD8G Blade Pins &amp; Bushings</b>					
1	1209088H1	Pin	Main Blade	1	13
2	620693C2	Pin	Blade Center	1	9
3	705734C1	Bushing	Blade Center	2	1
4	618962C1	Bushing	Blade	12	1
5	620665C1	Bushing	C-Frame	2	0.8
6	645351C1	Pin	Lift & Tilt Cylinder	6	2.7
7	734761C1	Pin	Angle Cylinder	4	2.7
8	620873C2	Pin	Trunion & C-Frame	4	5
10	646670C1	Retainer	Lower	2	3
11	705760C1	Retainer	Upper	2	8
12	620630C92	Angle Cylinder		2	71
<b>TD7, TD7C, TD7E, TD7G, TD8, TD8C, TD8E, TD8G</b>					
13	PV512	Blade Face	96" x 31" (1 pc.)	1	197



Ref.	Part No.	Description	Notes	Qty.	Wt.
<b>CASE 1150C, 1150D, 1150E, 1150G, 1150H</b>					
1	R55857	Equalizer Beam	With center bushings, 62" Guage models	1	330
2	R55859	Equalizer Beam	With center bushings, LGP & WT, 72" Guage models	1	400
3	D46403	Bushing	Center bushing	2	0.7
4	R55649	Bushing	End bushings	2	2
5	R36522	Bracket	Equalizer Beam, 1150C	2	38
6	R45454	Bracket	Equalizer Beam, 1150D, 1150E, 1150G	2	60
7	R47945	Pin	End Pin, 1150D, 1150E, 1150G, 1150H	2	5.8
8	R40497	Pin	Center Pin	1	14
9	R26860	Equalizer Shaft		1	230
10	R31363	Equalizer Shaft	LGP & WT	1	270
11	R49332	Clamp	Equalizer shaft	4	8



Ref.	Part No.	Description	Notes	Qty.	Wt.
<b>CAT D4H XL, D4H LGP</b>					
1	8E8955	Equalizer Beam	With center bushing, not for LGP machines	1	230
2	7P7858	Bushing	Center	1	1
3	6Y6886	Pin	Center	1	6
4	8G3733	Pin	End	2	7.2
5	9M1328	Bushing	End	2	2
	1K6985	Snap Ring		4	0.05
<b>CAT D5H XL, D5H LGP</b>					
1	8E8789	Equalizer Beam	With center bushing, not for LGP machines	1	310
2	7P6596	Bushing	Center	2	1
3	6Y8248	Pin	Center	1	12
4	8G4187	Pin	End	2	12
5	8G4189	Bushing	End	2	2.2
	1J6472	Snap Ring		4	0.05
<b>CAT D5M XL, D5M LGP, D5N XL, D5N LGP</b>					
1	8E8955	Equalizer Beam	With center bushing, not for LGP machines	1	230
2	7P7858	Bushing	Center	1	1
3	109-0379	Pin	Center	1	6
4	109-0380	Pin	End	2	7.2
5	9M1328	Bushing	End	2	2
	1K6985	Snap Ring		4	0.05
<b>CAT D6M XL, D6M LGP, D6N XL, D6N LGP</b>					
1	8E8789	Equalizer Beam	With center bushing, not for LGP machines	1	310
2	7P6596	Bushing	Center	2	1
3	109-0367	Pin	Center	1	12
4	109-0377	Pin	End	2	12
5	8G4189	Bushing	End	2	2.2
	1J6472	Snap Ring		4	0.05