



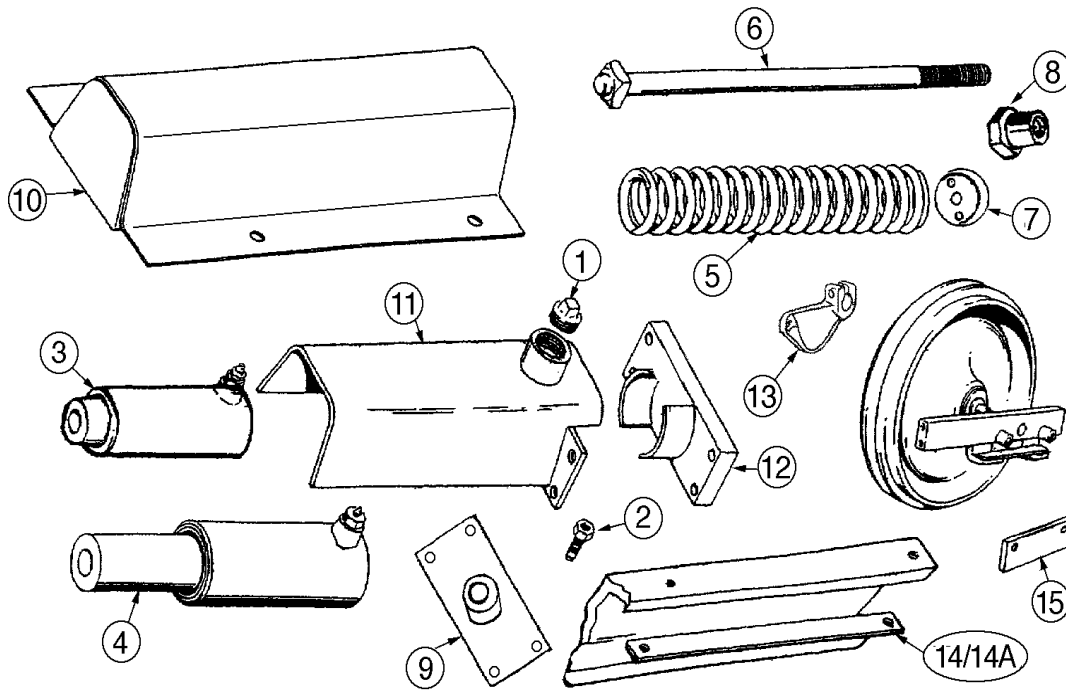
Track Adjusters,
Springs,
Track Frames &
Wear Parts



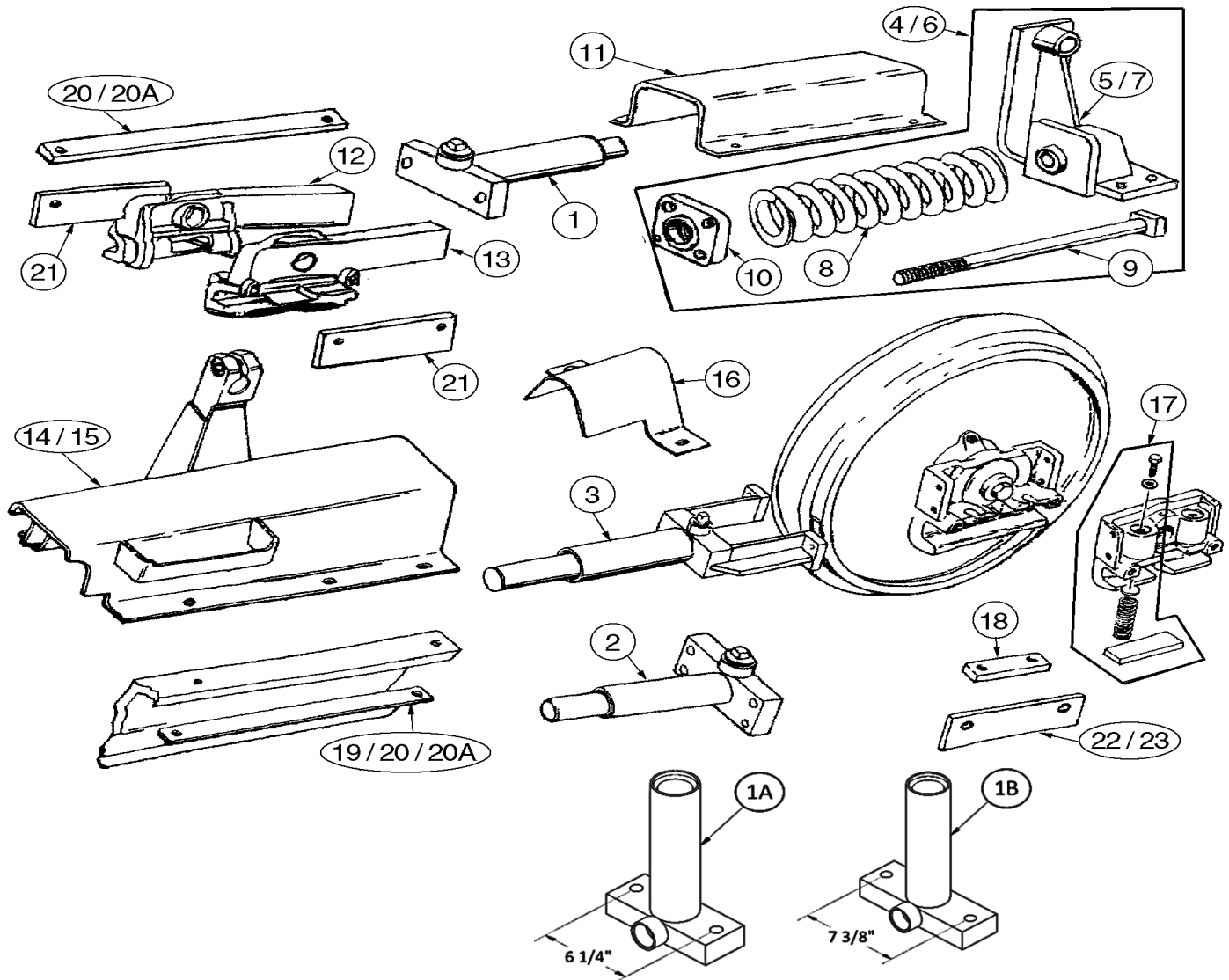
SECTION A

TRACK ADJUSTERS, SPRING ASSEMBLIES, TRACK FRAMES, WEAR PARTS

	Page
IDLER GUIDE & WEAR PLATES	
CASE	A1, A3, A5, A7
DRESSER	A17
JOHN DEERE	A9, A11, A13, A14
RECOIL & ADJUSTER ASSEMBLIES (EXCAVATORS)	
CAT	A22
HITACHI	A20, A21
JOHN DEERE	A20, A21
KOMATSU	A21
SPRINGS & SPRING ASSEMBLIES (DOZERS)	
CASE	A1-A7
CAT	A19
DRESSER	A16-A17
JOHN DEERE	A8-A15
KOMATSU	A18
TRACK ADJUSTERS (DOZERS)	
CASE	A1-A7
CAT	A19
DRESSER	A16-A17
JOHN DEERE	A8-A15
KOMATSU	A18
TRACK ADJUSTER & SPRING COVERS	
CASE	A1, A3, A5, A7
JOHN DEERE	A9, A11, A13, A15
TRACK FRAMES	
JOHN DEERE	A11



Ref.	Part No.	Description	Notes	Qty.	Wt.
1	217-532	Plug	All adjusters	2	0.2
2	D35287	Fitting	Case track adjusters	2	0.1
CASE 310, 350					
3	D42202	Track Adjuster Assembly		2	14
	D42199	Tube		2	9
	R48241	Rod		2	8
	907001	Seal Kit		2	1
CASE 350B					
4	R41362	Track Adjuster Assembly		2	17
	D42199	Tube		2	9
	R48240	Rod		2	8
	907001	Seal Kit		2	1
CASE 310 For Manual Adjuster					
5	D39498	Track Tension Spring		2	25
6	D20845	Bolt		2	7
7	D20844	Threaded Ring		2	3.4
8	D20843	Threaded Nut		2	1.4
9	PV415	Adapter	To bolt Adjuster To New Style Idler	2	11
CASE 350, 350B					
10	R46068	Recoil Spring Assemb R/H or L/H		2	48
11	D43513	Adjuster Shield		2	7
12	D43510	Adjuster Mount		2	8
13	D42198	Top Roller Bracket		2	8
To use R46068 on 310 machines, use Reference # 3 & # 12 with 350 style idler					
CASE 310, 350, 350B					
14	D35276	Wear Plate	3/8" thick	4	3
14A	PV432	Wear Plate	1/2" thick	4	3
15	D43509	Idler Guide Plate		4	3

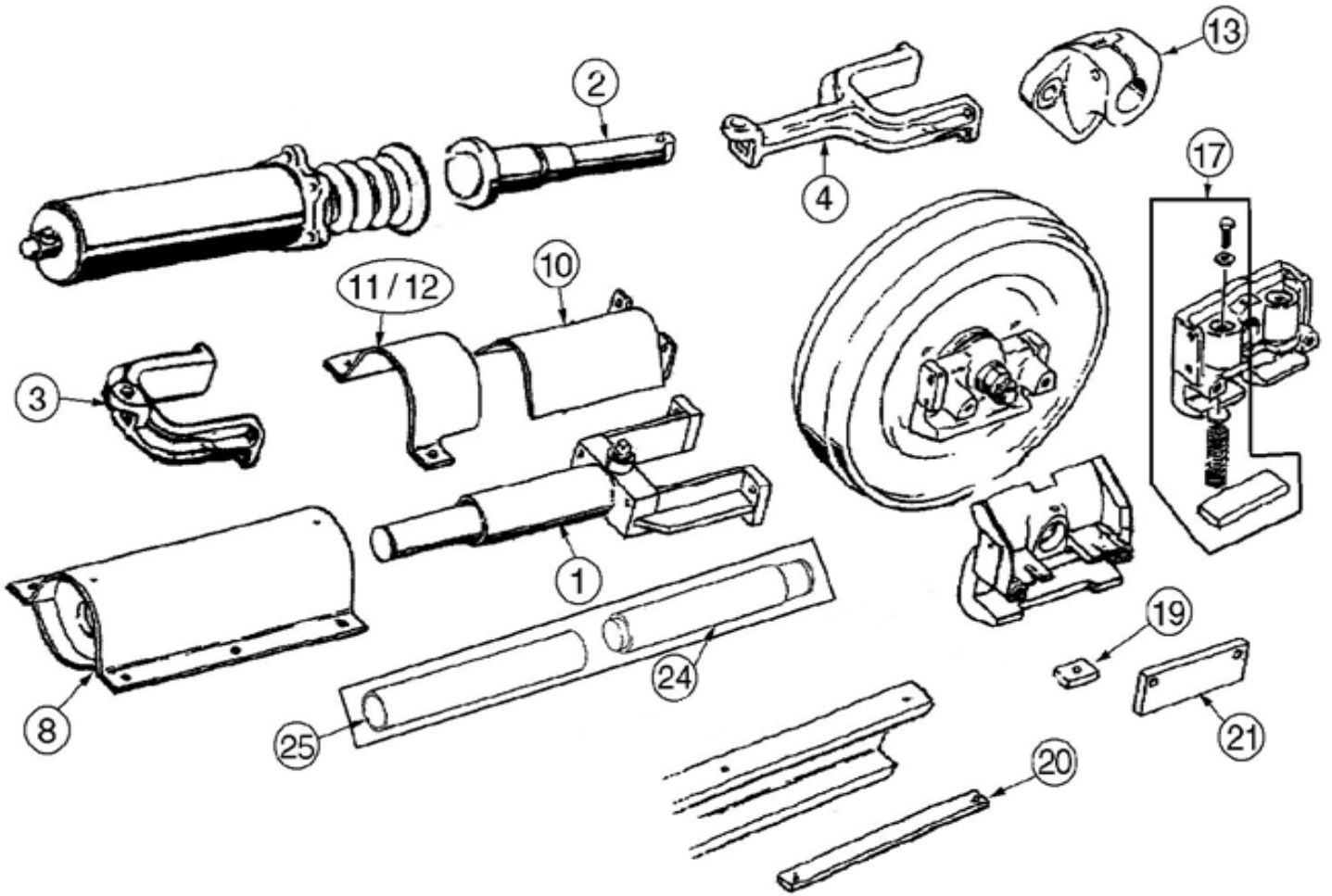


Ref.	Part No.	Description	Notes	Qty.	Wt.
	217-532	Plug	All adjusters	2	0.2
	D35287	Fitting	Case track adjusters	2	0.1
CASE 450 to s/n 3050800					
1	D35504	Track Adjuster Assembly	2 Bolt	2	24
1A	D35507	Yoke	6 1/4" Center to Center	2	16
	D35506	Rod w/ hole		2	8
	907002	Seal Kit		2	1
CASE 450 to s/n 3050800					
1	D48596	Track Adjuster Assembly	2 Bolt	2	26
1B	D48595	Yoke	7 3/8" Center to Center	2	18
	D35506	Rod w/ hole		2	8
	907002	Seal Kit		2	1
CASE 450 after s/n 3050800					
2	R29709	Track Adjuster Assembly	4 Bolt	2	33
	R24561	Yoke		2	20
	R51793	Rod		2	8
	907002	Seal Kit		2	1

TRACK ADJUSTERS

CASE 450, 550

Ref.	Part No.	Description	Notes	Qty.	Wt.
CASE 450B, 450C, 455, 455B, 455C					
3	R51909	Track Adjuster Assembly		2	39
	389390A1	Yoke		2	30
	R51793	Rod		2	8
	907002	Seal Kit		2	1
CASE 450C Long Track, 550 to s/n JAK0013968					
3	R54459	Track Adjuster Assembly		2	45
	389390A1	Yoke		2	30
	R54460	Rod		2	15
	907002	Seal Kit		2	1
CASE 550 after s/n JAK0013968					
3	R57442	Track Adjuster Assembly		2	45
	389390A1	Yoke		2	30
	R57443	Rod		2	15
	907002	Seal Kit		2	1
CASE 550E, 550G, 550H					
3	R58480	Track Adjuster Assembly		2	41
	389390A1	Yoke		2	30
	R58450	Rod		2	9
	907002	Seal Kit		2	1
CASE 450 to s/n 3050800					
4	PV603	Recoil Spring Assembly L/H		1	80
5	D35355	Top Roller Mounting Bracket L/H		1	28
6	PV604	Recoil Spring Assembly R/H		1	80
7	D35354	Top Roller Mounting Bracket R/H		1	28
8	D35277	Recoil Spring		2	40
9	D38668	Bolt		2	8
10	D47539	Nut		2	5.7
11	D35337	Spring Cover		2	12
12	D48593	Idler Bracket R/H	Use with D48596 Track Adjuster	2	26
13	D48592	Idler Bracket L/H	Use with D48596 Track Adjuster	2	26
CASE 450 (After s/n 3050800) 450B, 450C, 455C, 550, 550E, 550G, 550H					
14	187916A2	Recoil Spring Assembly L/H	Will replace 109711A2	2	100
15	187917A2	Recoil Spring Assembly R/H	Will replace 109712A2	2	100
16	R57631	Adjuster Cover	550, 550E, 550G, 550H	2	3
CASE 450, 450B, 450C, 455C, 550, 550E, 550G, 550H					
17	144392A3	Idler Wear Kit	For R58710 Idler	2	2.8
18	R52401	Spacer Plate	450C, 550, 550E	4	1
19	R58373	Wear Plate, 3/8" thick	550E, 550G, 550H	4	2
20	D35276	Wear Plate, 3/8" thick	450, 450B, 455B, 450C, 455C, 550	4	3
20A	PV432	Wear Plate, 1/2" thick	(D35276)	4	3
21	D35269	Idler Guide Plate	450	4	4
22	R48847	Idler Guide Plate	450B	4	4
23	R49772	Idler Guide Plate	450C, 455C, 550, 550E, 550G, 550H	4	4

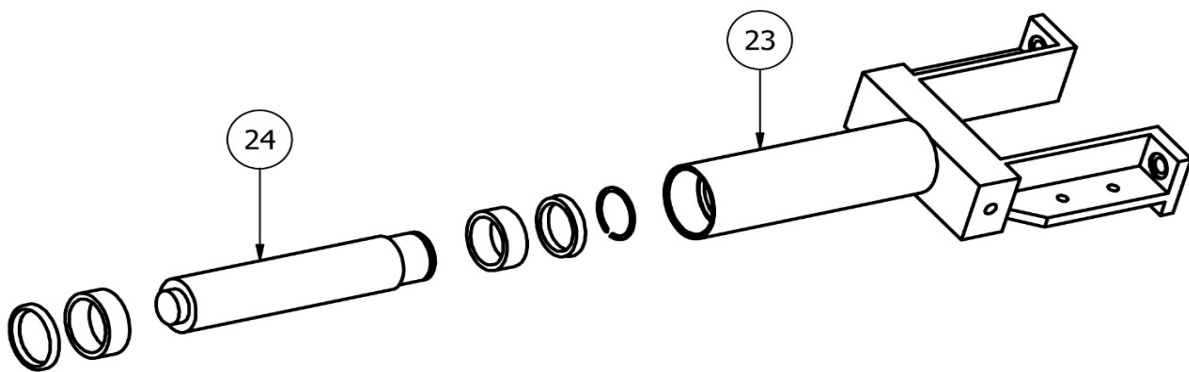


Ref.	Part No.	Description	Notes	Qty.	Wt.	
	217-532	Plug	All adjusters	2	0.2	
	D35287	Fitting	Case track adjusters	2	0.1	
CASE 650, 650G						
1	R57098	Track Adjuster Assembly	5 roller track frame	2	54	
	R31976	Yoke		2	34	
	R57099	Rod		2	19	
	907004	Seal Kit		2	1	
CASE 850, 1150						
2	D39930	Track Adjuster Assembly		2	28	
	D36357	Tube		2	17	
	D36361	Rod		2	11	
	907003	Seal Kit		2	1	
3	D36359	Yoke	850	5 roller track frame	2	30
4	D36360	Yoke	850, 1150	6 roller track frame	2	40
CASE 850B, 850C, 850D, 855C, 855D						
1	R32467	Track Adjuster Assembly	5 Roller track frame	2	52	
	R31976	Yoke		2	34	
	R31983	Rod		2	18	
	907004	Seal Kit		2	1	

TRACK ADJUSTERS

CASE 650, 750, 850

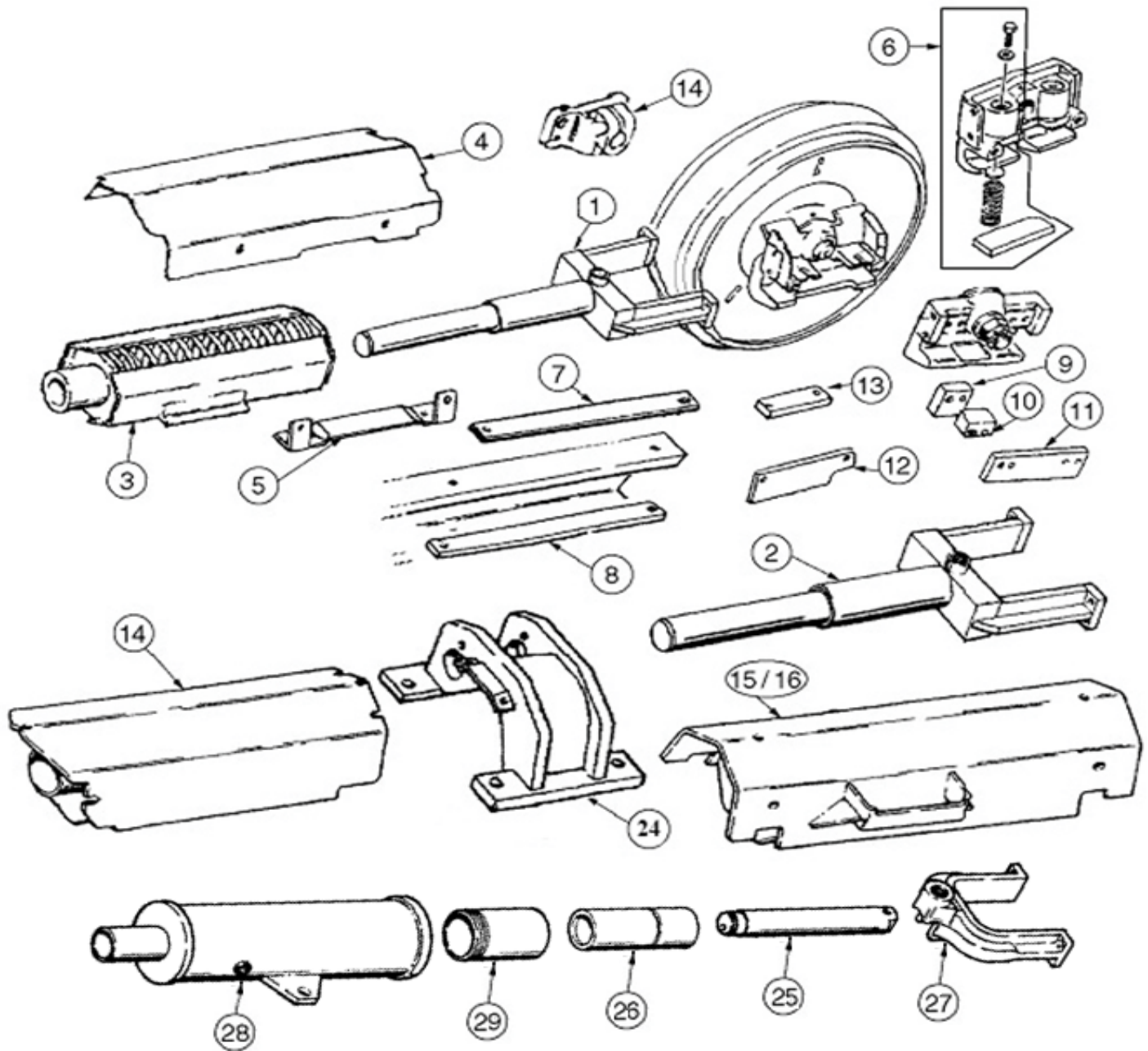
Ref. Part No.	Description	Notes	Qty.	Wt.	
CASE 650G, 650H, 750H, 850D, 850E, 850G, 850H					
1	129162A1	Track Adjuster Assembly*	6 Roller track frame	2	52
	R31976	Yoke		2	34
24	345091A1	Rod		2	15
	907004	Seal Kit		2	1
*129162A1 track adjusters require rod extensions - sold separate					
25	345070A2	Tube, Rod Extension	650G, 750H, 850H	2	4.5
25	345071A1	Tube, Rod Extension	850D Long Track, 850E, 850G	2	10



CASE 650K, 750K, 750L, 850K, 850L					
	435383A1	Track Adjuster	R/H	1	
23	435378A1	yoke	R/H	1	
	435384A1	Track Adjuster	L/H	1	
	435379A1	yoke	L/H	1	
24	345091A1	rod		2	15
	907004	seal kit		2	1

CASE 650, 650G, 650H, 750H, 850B, 850C, 850D, 850E, 850G, 850H, 855C, 855D, 855E					
8	334260A1	Recoil Spring Assembly	R/H & L/H are same	2	129
10	R46855	Adjuster Shield, Front	R/H & L/H are same	2	5
11	R35422	Adjuster Shield, Rear	L/H	1	4
12	R35423	Adjuster Shield, Rear	R/H	1	4
13	D45485	Top Roller Bracket		2	8

CASE 650, 650G, 650H, 750H, 850, 850B, 850C, 850D, 850E, 850G, 850H, 855C, 855D, 855E					
17	144393A3	Idler Wear Kit	For 103384A1 Idler	2	3.5
19	R45568	Spacer Plate		4	1
20	R32465	Wear Plate	3/8" thick	4	2
20	PV433	Wear Plate	1/2" thick	4	3
21	R45570	Idler Guide Plate		4	4

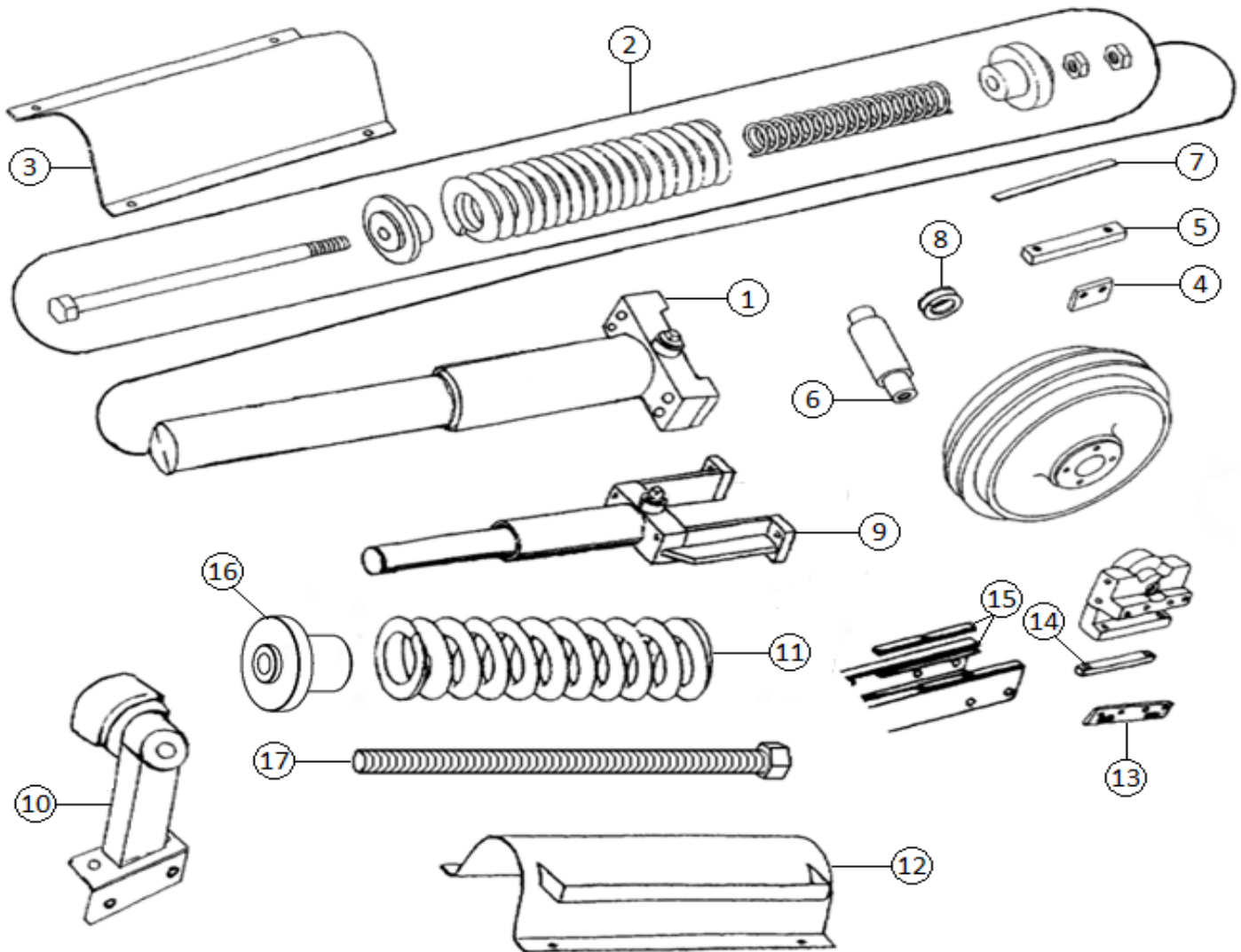


Ref.	Part No.	Description	Notes	Qty.	Wt.
	217-532	Plug	All adjusters	2	0.2
	D35287	Fitting	Case track adjusters	2	0.1
CASE 1150B					
	R27161	Track Adjuster Assembly		2	30
25	R26024	Rod		2	19
26	R25658	Inner Tube		2	10
	907004	Seal Kit		2	1
27	R43258	Idler Yoke		2	28
28	R40630	Recoil Spring Assembly	Dozer models only	2	186
29	R25664	Large Tube	Threaded	2	11

TRACK ADJUSTERS

CASE 1150, 1450, 1550

Ref.	Part No.	Description	Notes	Qty.	Wt.
CASE 1150C, 1150D, 1150E, 1155D, 1155E					
1	R45815	Track Adjuster Assembly	6 Roller track frame	2	58
	R45458	Yoke		2	38
	R39210	Rod		2	20
	907004	Seal Kit		2	1
CASE 1150C, 1150D, 1150E Long Track & LGP, 1150G, 1150H					
1	R45460	Track Adjuster Assembly	7 Roller track frame	2	72
	R45458	Yoke		2	38
	143807A1	Rod		2	33
	907004	Seal Kit		2	1
CASE 1450, 1455					
2	PV312	Track Adjuster Assembly	6 Roller track frame	2	64
	R54263	Yoke		2	48
	R28359	Rod		2	15
	907004	Seal Kit		2	1
CASE 1450B, 1455B, 1550					
2	R52132	Track Adjuster Assembly	6 Roller track frame	2	76
	R54263	Yoke		2	48
	R34798	Rod		2	31
	907004	Seal Kit		2	1
CASE 1450B, 1550 Long Track & LGP					
2	R52131	Track Adjuster Assembly	7 Roller track frame	2	95
	R54263	Yoke		2	48
	R43141	Rod		2	46
	907004	Seal Kit		2	1
CASE 1150C, 1150D, 1155D, 1150E, 1155E, 1150G, 1150H					
	R43094	Recoil Spring Assembly	1150C (Order (1) R57728, (1) PV336, (2) R45634, brackets are welded on 1150C)		
3	R57728	Recoil Spring Assy.	1150D, 1155D, 1150E, 1155E, 1150G,1150H	2	162
4	PV336	Recoil Spring Cover	1150C Dozer	2	31
	R45472	Recoil Spring Cover	1150D, 1155D, 1150E, 1155E, 1150G,1150H	2	26
5	R45634	Bracket	1150D, 1155D, 1150E, 1155E, 1150G,1150H	4	5
CASE 1150B, 1150C, 1150D, 1150E, 1150G, 1150H, 1155B, 1155C, 1155D, 1155E					
6	144394A3	Idler Wear Kit	For R58616 Idler	2	7
7	R25692	Wear Plate		4	4
8	R40782	Wear Plate	3/8" thick	4	3
8	PV434	Wear Plate	1/2" thick	4	4
9	R25694	Thrust Block Inner		8	3
10	R30203	Spacer Block		8	3
11	R30204	Idler Guide Plate		4	5
12	R44516	Idler Guide Plate		4	5
13	R52679	Wear Plate		4	5
14	R27143	Top Roller Bracket		2	20
24	R36522	Bracket	Equalizer Beam, 1150C	2	38
CASE 1450B, 1455B					
14	R43616	Recoil Spring Assembly	Dozer	2	228
15	R43621	Recoil Spring Assembly	Loader L/H, No Step	2	228
16	R43622	Recoil Spring Assembly	Loader R/H, No Step	2	228



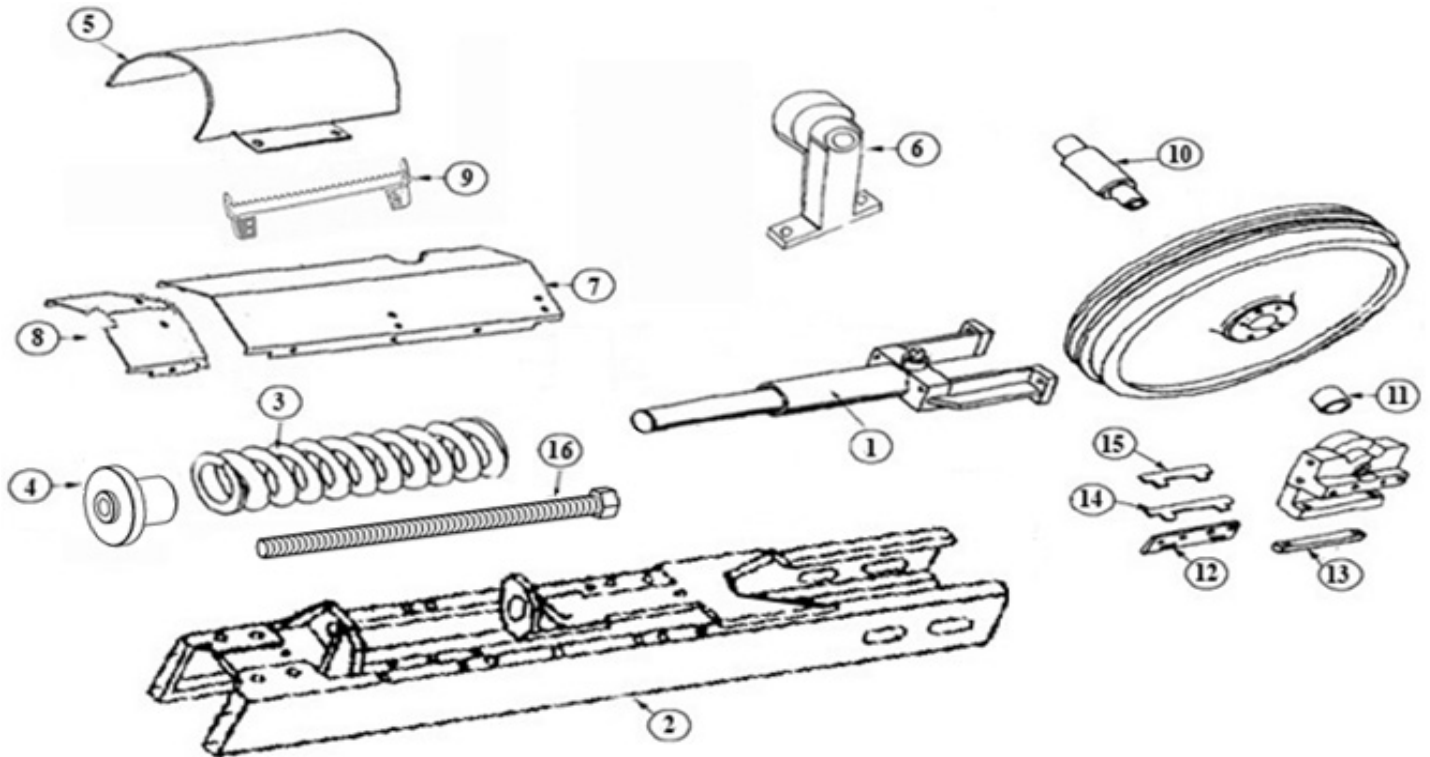
Ref.	Part No.	Description	Notes	Qty.	Wt.
	217-532	Plug	All adjusters	2	0.2
	2S5925	Fitting	Will not fit OEM Adjusters	2	0.1
JOHN DEERE 440, 350, 350B, 350C, 350D, 1010, 400G					
1	PV303	Track Adjuster Assembly		5	38
	T145145	Yoke		2	22
	AT36389	Rod	*See note below	2	14
	905000	Seal Kit		2	1
JOHN DEERE 400G Long Track					
1	PV302	Track Adjuster Assembly		6	46
	T145145	Yoke		2	22
	AT36390	Rod	*See note below	2	17
	905000	Seal Kit		2	1

***Note: When purchasing our rod, hone the tube to 2.380" Our rod is 2.375" OEM rod is 2.360"**

TRACK ADJUSTERS

JOHN DEERE 350, 450

Ref.	Part No.	Description	Notes	Qty.	Wt.
	217-532	Plug	All adjusters	2	0.2
	2S5925	Fitting	Will not fit OEM Adjusters	2	0.1
JOHN DEERE 2010 to s/n 42000					
1	PV311A	Track Adjuster Assembly	5 Roller track frame	2	44
	T145464	Yoke		2	22
	AT36389	Rod	*See note below	2	14
	905000	Seal Kit		2	1
JOHN DEERE 2010 after s/n 42001					
1	PV311	Track Adjuster Assembly	5 Roller track frame	2	44
	T145464	Yoke		2	22
	AT36392	Rod	*See note below	2	15
	905000	Seal Kit		2	1
JOHN DEERE 350, 350B, 350C, 350D, 1010, 400G					
2	PV601	Recoil Spring Assembly		2	51
3	T10018	Spring Cover		2	10
4	T27516	Idler Guide Plate		8	0.4
5	T20851	Threaded Plate		4	1.1
6	T16844	Idler Shaft	350, 350B, 350C, 350D, 2010	2	6.6
7	AT133230	Wear Plate		4	2
JOHN DEERE 450 Loader, 450, 450B, 450C, 450D, 450E, 550, 550B, Dozer					
9	PV300	Track Adjuster Assembly	5 Roller track frame	2	50
	T20700	Yoke		2	34
	AT36391	Rod	*See note below	2	15
	905000	Seal Kit		2	1
JOHN DEERE 450E, 550, 550B, Long Track					
9	PV305	Track Adjuster Assembly	6 Roller track frame	2	57
	T20700	Yoke		2	34
	AT113396	Rod	*See note below	2	19
	905000	Seal Kit		2	1
JOHN DEERE 450B, 450C, 455D, 455E, 555, 555B, Loader					
9	PV301	Track Adjuster Assembly	5 Roller track frame	2	55
	T20700	Yoke		2	34
	AT36390	Rod	*See note below	2	17
	905000	Seal Kit		2	1
JOHN DEERE 450, 450B, 450C, 450D, 450E, 455D, 455E, 550, 550B, 555, 555B					
6	T40826	Front Idler Shaft	T21393	2	9.5
8	AT135802	Seal	New Style	4	0.3
10	AT31128	Top Roller Bracket		2	29
11	T106882	Recoil Spring		2	50
12	AT84806	Spring Cover		2	12
13	T112813	Idler Guide Plate		4	2
14	T20696	Threaded Plate		4	1.3
15	AT21030	Wear Strip Set	Set of 4 pcs.	2	5
16	T32049	Cap, rear		2	14
17	PV3682	Bolt	To install spring	1	4
*Note: When purchasing our rod, hone the tube to 2.380" Our rod is 2.375" OEM rod is 2.360"					

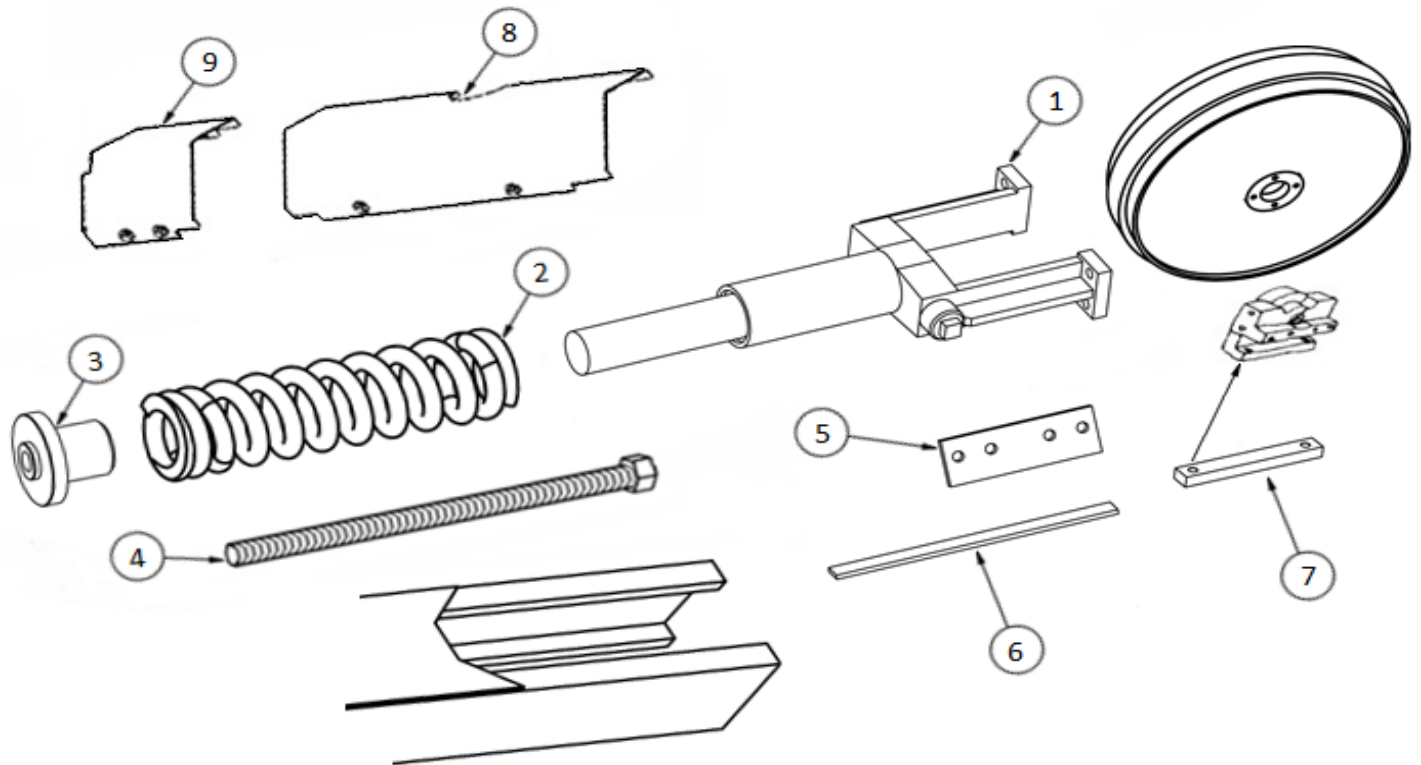


Ref.	Part No.	Description	Notes	Qty.	Wt.
	217-532	Plug	All adjusters	2	0.2
	2S5925	Fitting	Will not fit OEM Adjusters	2	0.1
JOHN DEERE 450G, 455G					
1	PV304	Track Adjuster Assembly	5 Roller track frame	2	60
	T147438	Yoke		2	34
	AT124172	Rod		2	28
	905003	Seal Kit		2	1
JOHN DEERE 550G to s/n 770862					
1	PV306	Track Adjuster Assembly		2	60
	T147438	Yoke		2	34
	AT124171	Rod		2	26
	905003	Seal Kit		2	1
JOHN DEERE 555G					
1	PV313	Track Adjuster Assembly	6 Roller track frame	2	60
	T147438	Yoke		2	34
	AT124174	Rod		2	33
	905003	Seal Kit		2	1
JOHN DEERE 450G LT & LGP, 550G after s/n 770862, 650G					
1	PV314	Track Adjuster Assembly	6 Roller track frame	2	60
	T147438	Yoke		2	34
	AT124173	Rod		2	30
	905003	Seal Kit		2	1

TRACK FRAME PARTS

JOHN DEERE G MODELS

Ref.	Part No.	Description	Notes	Qty.	Wt.
JOHN DEERE 450G, 455G, 550G					
3	T106882	Recoil Spring		2	50
4	T32049	Cap, rear		2	14
16	PV3682	Bolt	To install spring	1	4
5	T121455	Spring Cover	to s/n 770862	2	1
6	AT161857	Top Roller Bracket	to s/n 770862	2	32
6	AT161844	Top Roller Bracket	after s/n 770862	2	32
10	T40826	Idler Shaft		2	9.5
11	AT135802	Seal		4	0.3
12	T112813	Idler Guide Plate		4	2
13	T20696	Threaded Plate		4	1.3
	T105530	Wear strip	On track frame	4	0.7
14	T144187	Plate		4	0.5
15	T144186	Shim		AR	0.5
JOHN DEERE 450G, 455G, after s/n 770862					
7	T158525	Cover R/H	5 Roller track frame	2	30
7	T158526	Cover L/H		2	30
8	AT175386	Cover, Rear	R/H or L/H	2	17
8	AT172539	Step	All G Models	2	8.5
JOHN DEERE 450G Long Track & LGP, 550G, after s/n 770862					
2	AT173938	Track Frame R/H		1	345
2	AT173939	Track Frame L/H		1	345
7	T158527	Cover R/H	6 Roller track frame	2	30
7	T158528	Cover L/H		2	30
8	AT175394	Cover, Rear R/H		2	18
8	AT175395	Cover, Rear L/H		2	18
9	AT172539	Step	All G Models	2	8.5
JOHN DEERE 555G, 650G					
2	AT173992	Track Frame R/H		1	410
2	AT173997	Track Frame L/H		1	410
3	T105605	Recoil Spring		2	68
4	T32049	Cap, rear		2	14
16	PV3682	Bolt	To install spring	1	4
5	T121455	Spring Cover	to s/n 770862	2	11
6	AT161857	Top Roller Bracket	to s/n 770862	2	32
6	AT161844	Top Roller Bracket	after s/n 770862	2	32
7	T158535	Cover R/H	650G after s/n 770862	1	29
7	T158536	Cover L/H	650G after s/n 770862	1	30
8	AT175394	Cover Rear R/H		1	18
8	AT175395	Cover Rear L/H		1	18
9	AT172539	Step	used with T158535, T158536	1	8.5
12	T105526	Guide Plate		4	2
13	T20696	Threaded Plate		4	1.3
	T105530	Wear strip	On track frame	4	0.7
14	T144188	Plate		4	1
15	T144189	Shim		AR	1



Ref.	Part No.	Description	Notes	Qty.	Wt.
	217-532	Plug	All adjusters	2	0.2
	2S5925	Fitting	Will not fit OEM Adjusters	2	0.1
JOHN DEERE 450H					
1	PV323	Track Adjuster Assembly	5 Roller track frame	2	45
	T169180	Yoke		2	31
	AT207649	Rod		2	13
	905003	Seal Kit		2	1
JOHN DEERE 450H LT, 450H LGP, 550H LT, 550H LGP, 450J LT, 450J LGP, 550J LT, 550J LGP					
1	PV324	Track Adjuster Assembly	6 Roller track frame	2	45
	T169180	Yoke	450J & 550J not for max life undercarriage	2	31
	AT210058	Rod		2	13
	905003	Seal Kit		2	1
JOHN DEERE 650H LT, 650H LGP, 650J LT					
1	PV325	Track Adjuster Assembly	6 roller track frame	2	52
	T169180	Yoke	650J s/n -159986	2	31
	AT211001	Rod	650J s/n -159986	2	20
	905003	Seal Kit		2	1
JOHN DEERE 650H XLT, 650J XLT, 650J LGP					
1	PV326	Track Adjuster Assembly	7 roller track frame	2	60
	T169180	Yoke	650J s/n -159986	2	31
	AT225225	Rod		2	28
	905003	Seal Kit		2	1

TRACK ADJUSTERS

JOHN DEERE H, J, K MODELS

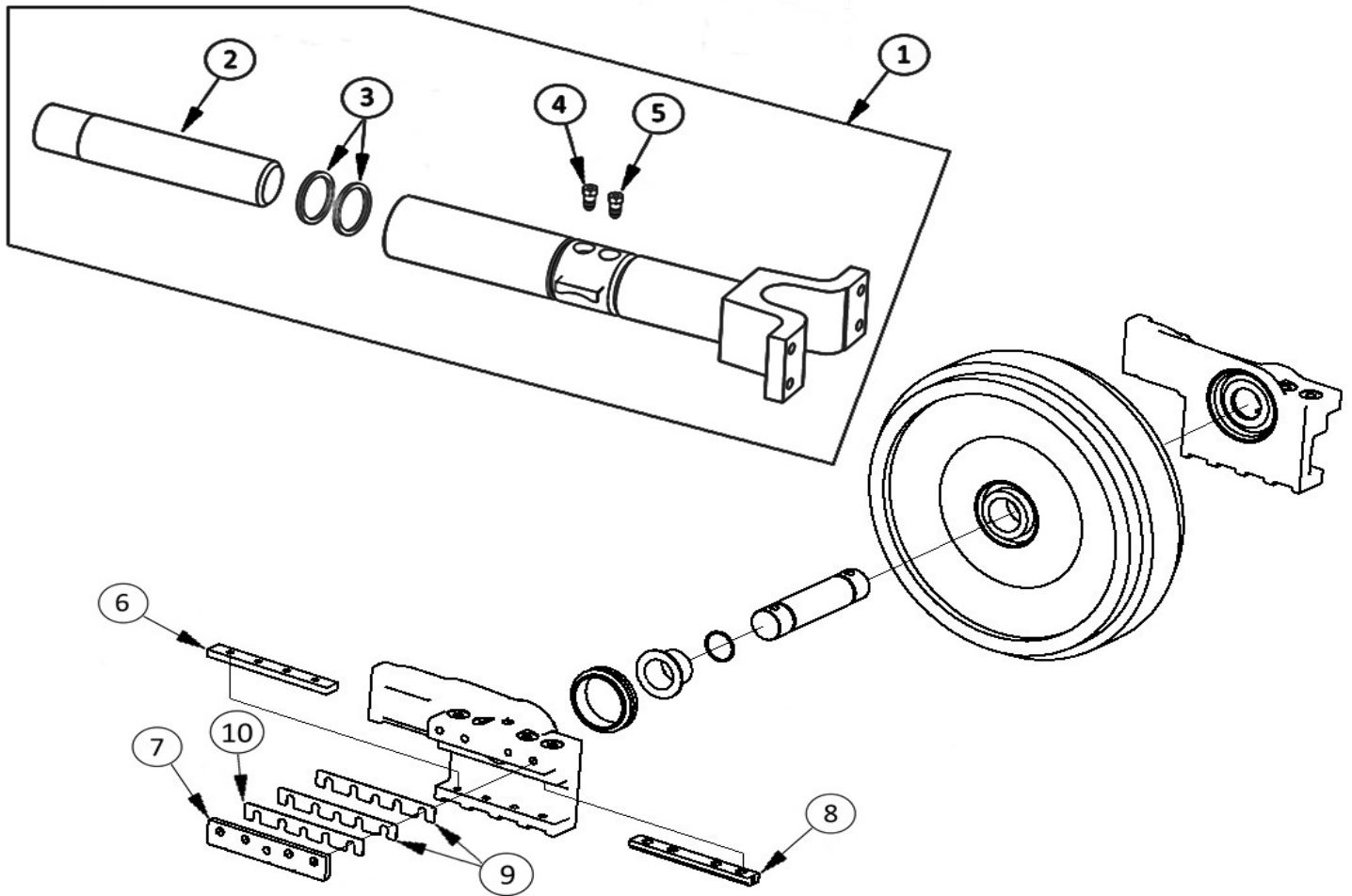
Ref.	Part No.	Description	Notes	Qty.	Wt.
JOHN DEERE 550K XLT, 550K LGP, standard undercarriage					
1	PV326	Track Adjuster Assembly	7 roller track frame	2	60
	T169180	Yoke		2	31
	T257067	Rod		2	28
	905003	Seal Kit		2	1

JOHN DEERE 550K XLT, 550K LGP, max life undercarriage, 650J XLT s/n 159987-, 650J LGP s/n 159987-, 650K XLT, 650K LGP					
	T223025	Yoke	Not Available	2	
	T257067	Rod		2	28
	905003	Seal Kit		2	1

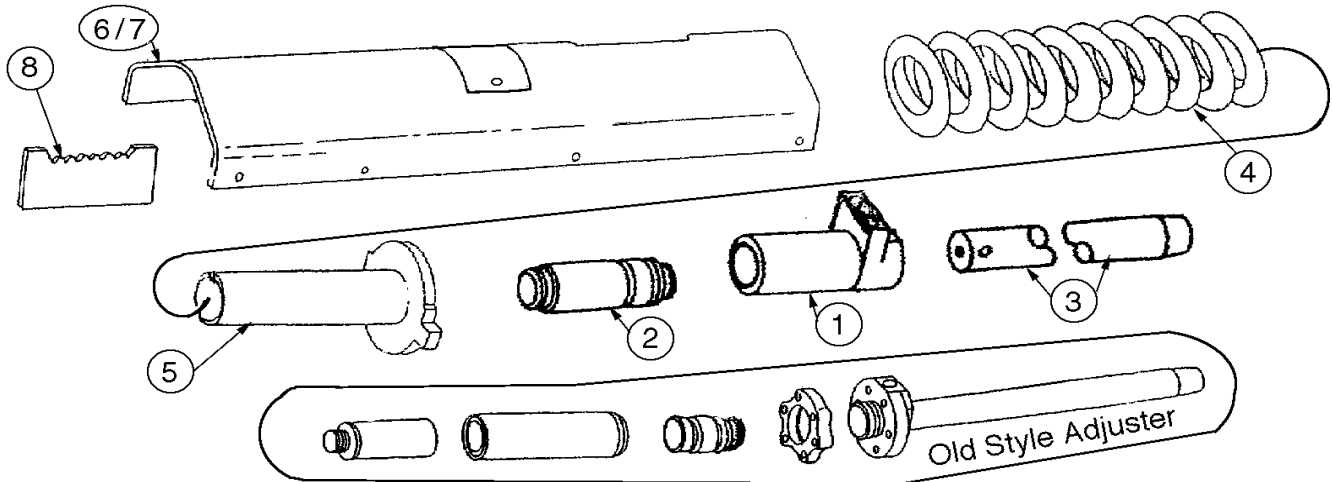
JOHN DEERE 450H, 450J, 550H, 550J, 550K, 650H, 650J, 650K					
2	T106882	Recoil Spring	450H, 450J, 550H, 550J	2	50
2	T105605	Recoil Spring	650H, 650J	2	68
3	T32049	Cap, rear		2	14
4	PV3682	Bolt	To install spring	1	4
5	T172899	Guide Plate		4	1.9
6	T105530	Wear strip	On track frame	4	0.7
7	T20696	Threaded Plate		4	1.3

JOHN DEERE 450H LT, 450H LGP, 550H, 450J, 550J, 550K					
8	T172588	Cover, L/H	6 Roller track frame	2	26
8	T172591	Cover, R/H		2	26
9	AT209843	Cover, Rear L/H		2	18
9	AT209844	Cover, Rear R/H		2	18

JOHN DEERE 650H, 650J, 650K					
8	T173978	Cover, L/H	6 Roller track frame	2	27
8	T173979	Cover, R/H		2	27
9	AT210987	Cover, Rear L/H		2	19
9	AT210988	Cover, Rear R/H		2	19

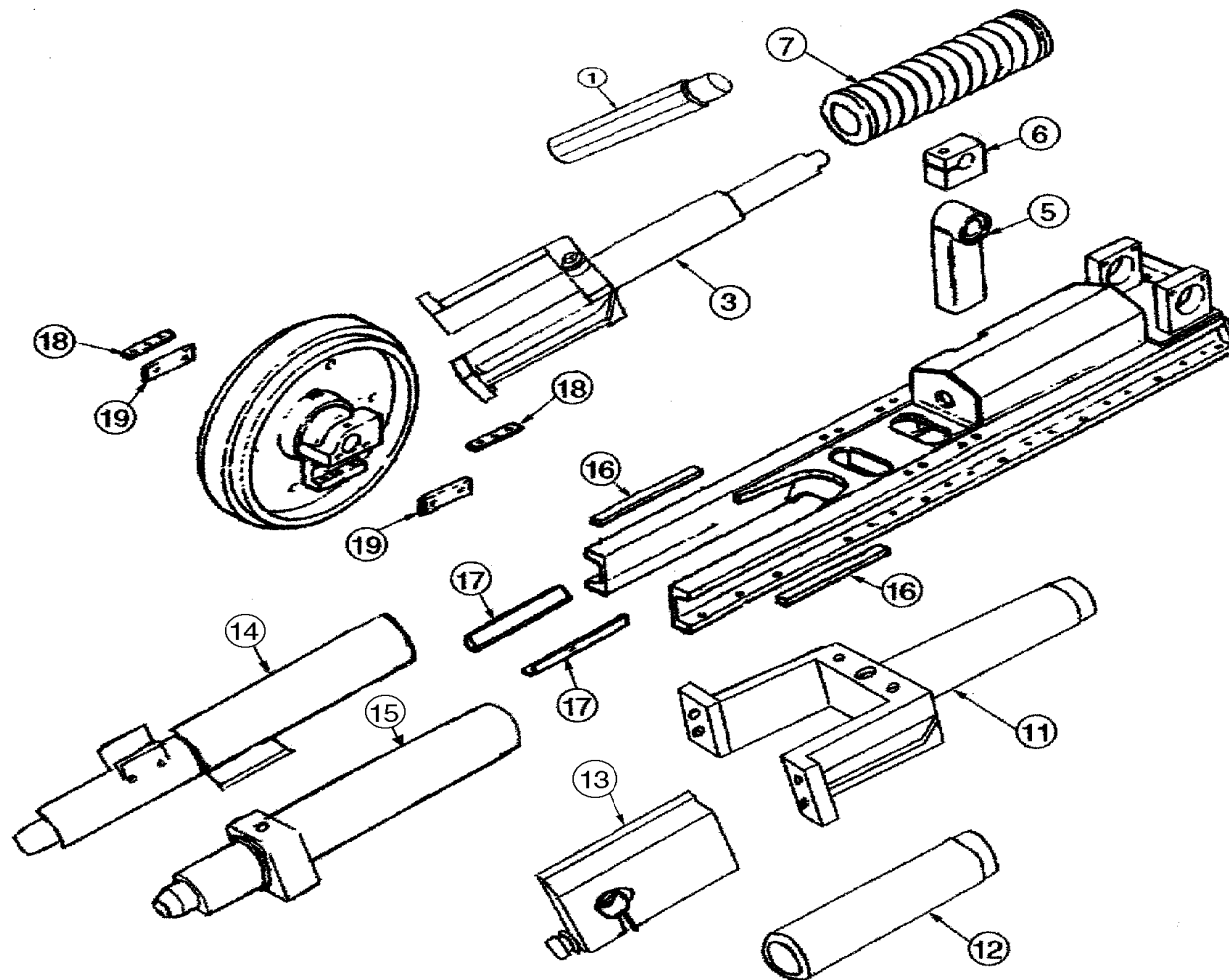


Ref.	Part No.	Description	Notes	Qty.	Wt.
JOHN DEERE 700H LT, 700J LT					
1	AT221027	Track Adjuster Assembly	(6 roller track frame)	2	101
2	T175900	piston (NSS)		2	
3	PV7560	packing		2	0.1
4	T120720	pressure relief valve		2	0.1
5	AT159554	check valve		2	0.1
JOHN DEERE 700H XLT, 700H LGP, 700J XLT, 700J LGP, 700K XLT, 700K LGP					
1	AT221427	Track Adjuster Assembly	(7 roller track frame)	2	110
2	T175900	piston (NSS)		2	
3	PV7560	packing		2	0.1
4	T120720	pressure relief valve		2	0.1
5	AT159554	check valve		2	0.1
FITS ALL MACHINES ON THIS PAGE					
6	T177313	Plate		4	1.8
7	T177308	Wear Plate		4	2.6
8	T177309	Bar		4	2.4
9	T178085	Solid Shim	Thickness 0.037	8	
10	T177876	Solid Shim	Thickness 0.058	4	



To replace old style adjuster use items 1, 2, & 3

Ref.	Part No.	Description	Notes	Qty.	Wt.
	2S5925	Fitting	Will not fit OEM Adjusters	2	0.1
JOHN DEERE 655, 655B, 750, 750B, 750C, LT & LGP					
	PV316	Track Adjuster Assembly		2	45
1	AT180805	Head Assembly		2	25
2	T73206	Piston		2	20
	905001	Seal Kit		2	1
3	T80875	Rod	655, 655B, 750, 750B	2	28
3	T118348	Rod	750B LT & LGP	2	33
3	T80878	Rod	750, 750B, LGP	2	54
JOHN DEERE 655, 655B, 750, 750B, 750C, LT & LGP					
4	T184203	Spring		2	120
5	T82455	Housing		2	40
6	AT80946	Spring Cover R/H	750, 750B	2	69
7	AT80947	Spring Cover L/H	750, 750B	2	70
	AT113783	Track Adjuster Cover	750, 750B, Long Track	2	17
(Spring Covers on LGP are Different)					
JOHN DEERE 755, 755A, 755B, 850, 850B, 850C, LT & LGP					
	PV316	Track Adjuster Assembly		2	45
1	AT180805	Head Cyl.		2	25
2	T73206	Piston		2	20
	905001	Seal Kit		2	1
3	T80875	Rod	755, 755A, 755B, 850, 850B	2	28
JOHN DEERE 755, 755A, 755B, 850, 850B, 850C, LT & LGP					
4	T184268	Spring		2	152
5	T82455	Housing		2	40
6	AT80954	Spring Cover R/H	850, 850B	2	83
7	AT80955	Spring Cover L/H	850, 850B	2	83
	AT80868	Track Adjuster Cover	850, 850B, Long Track	2	26
(Spring Covers on LGP are Different)					

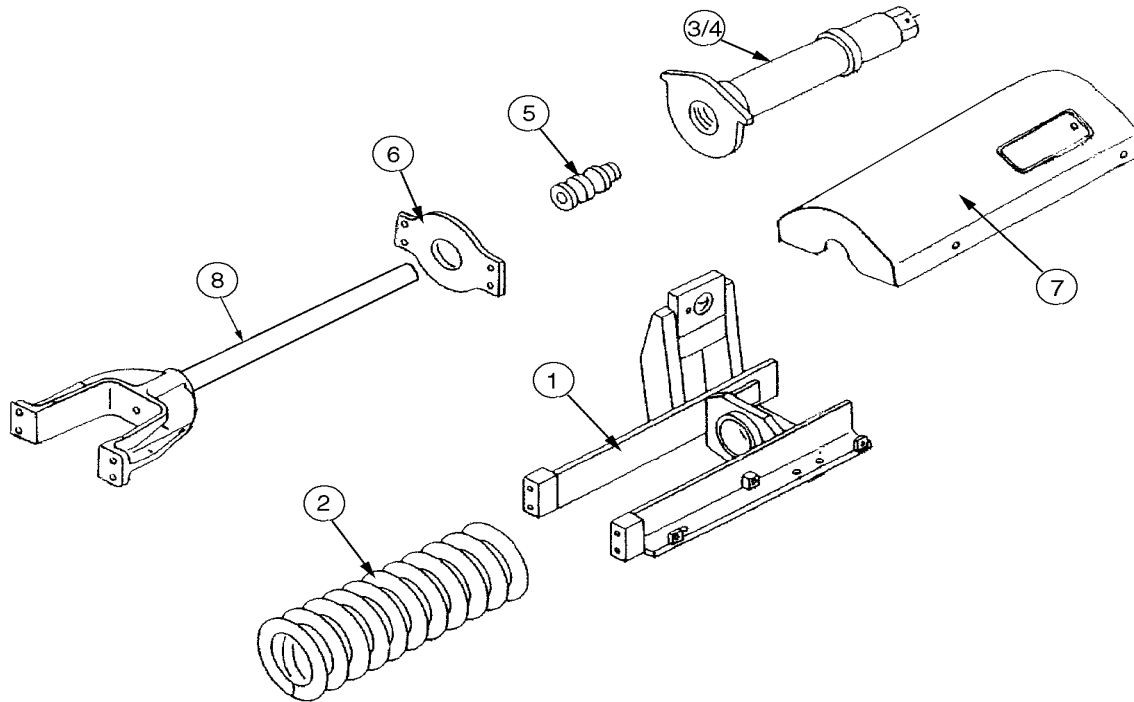


Ref. Part No.	Description	Notes	Qty.	Wt.
TD7, 100, to s/n 9500				
906000	Seal Kit		2	1
TD7, 100 after s/n 9500 TD7C, TD7E, TD7G, TD7H, 100C, 100E, TD8, TD8C, TD8E, TD8G, TD8H, 125C, 125E				
622049C1	Piston	5 roller track frame	2	2
1 621448C3	Rod		2	11
TD7C, TD7E, TD7G, TD7H, 100C, 100E, 100G (5 Roller track frame)				
3 PV307	Track Adjuster Assembly	1 pc. rod	2	49
1299268H91	Yoke	use PV307		
906001	Seal Kit		2	1
736160C2	Yoke	use PV307		
TD8C, TD8E, TD8G, 125C, 125E, 125G (5 Roller track frame)				
3 PV308	Track Adjuster Assembly	1 pc. rod	2	52
621447C1	Yoke	use PV308		
906001	Seal Kit		2	1
TD7C, TD7E, TD7G, TD8C, TD8E, TD8G				
621018C1	Drawbar		1	10
TD8G Long Track & LGP (6 Roller track frame)				
3 PV308A	Track Adjuster Assembly	1 Pc Rod	2	62
621447C1	Yoke	Use PV308A		
906001	Seal Kit		2	1

TRACK ADJUSTERS

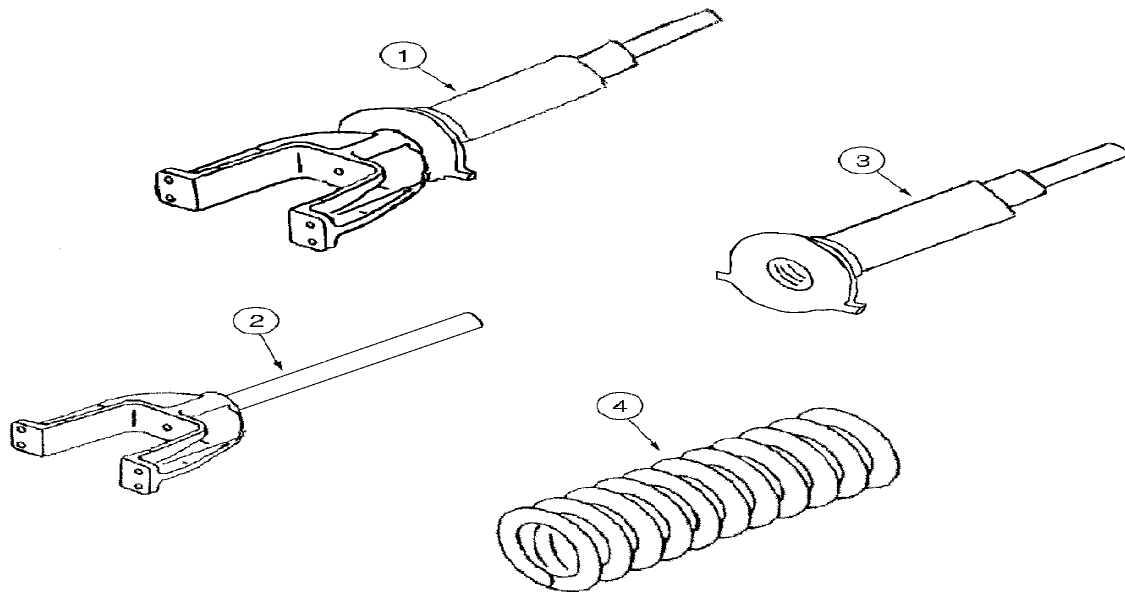
DRESSER

Ref.	Part No.	Description	Notes	Qty.	Wt.
TD7G, TD8H (6 Roller track frame)					
3	PV307A	Track Adjuster Assembly	1 pc. rod	2	53
	1299268H91	Yoke	Use PV307A		
	906001	Seal Kit		2	1
	736160C2	Yoke	Use PV307A		
TD9H (6 Roller track frame)					
3	PV3089	Track Adjuster Assembly	1 pc. rod	2	60
	1299266H91	Yoke	Use PV3089		
	906001	Seal Kit		2	1
	621447C1	Yoke	Use PV3089		
TD7C, TD7E, TD7G, TD7H, 100C, 100E, 100G, TD8H					
5	626651C1	Top Roller Bracket	For IN2805 top roller	2	16
6	1233532H1	Top Roller Bracket	For IN3511 top roller	2	9
7	736180C1	Recoil Spring		2	50
17	621338C1	Wear Plate		4	3
19	621424C1	Idler Guide Plate	TD7C, TD7E, 100C, 100E	4	2
19	621445C1	Idler Guide Plate	TD7G, 100G	4	2
18	622044C1	Idler Wear Plate		4	0.8
16	622221C1	Idler Wear Plate		4	4
TD8C, TD8E, TD8G, 125C, 125E, 125G, TD9H					
5	626651C1	Top Roller Bracket	For IN2809 top roller	2	16
6	1233532H1	Top Roller Bracket	For IN3511 top roller	2	9
7	621452C1	Recoil Spring		2	85
16	622221C1	Idler Wear Plate		4	4
17	662526C1	Idler Wear Plate		4	3
18	622044C1	Idler Wear Plate		4	0.8
19	621445C1	Idler Guide Plate		4	2
TD15B after s/n 10064, TD15C, 175C after s/n 40740					
	PV319	Track Adjuster Assembly	w/ fitting	2	70
11	655822C2	Cylinder Fork	Without cover shield	2	65
	629256C1	Piston	These parts will work on early s/n if idler brackets are replaced	2	4
	906003	Seal Kit		2	1
	PV331	Cover Shield		2	9
12	609609C2	Tube	weld on	2	20
13	655804C1/655805C1	Idler Brackets	sold in sets only	2	48
TD 15E, 200					
	PV320	Track Adjuster Assembly	w/ fitting	2	61
15	743000C1	Tube	2 1/2" ID	2	54
	629256C1	Piston		2	4
	906003	Seal Kit		2	1
TD20, TD20E, TD20G					
	PV318	Track Adjuster Assembly	w/ fitting	2	63
14	655608C1	Tube	3" ID	2	57
	629257C1	Piston		2	5
	906004	Seal Kit		2	1
1	655927C1	Rod		2	30

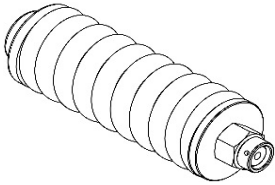
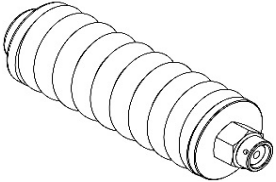
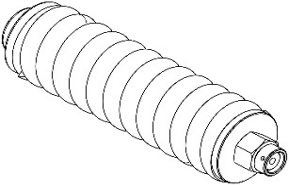
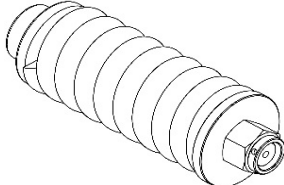
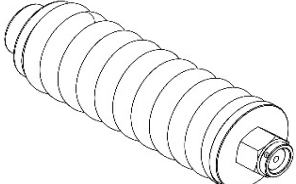
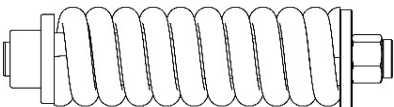
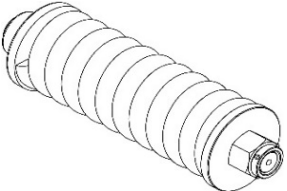
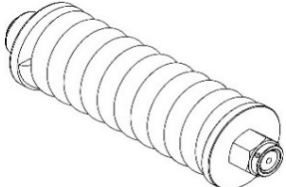


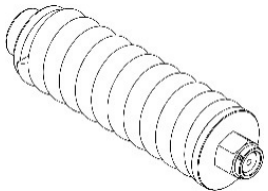
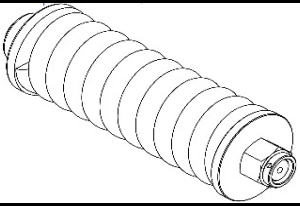
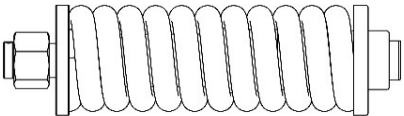
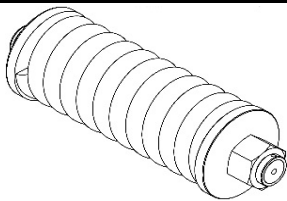
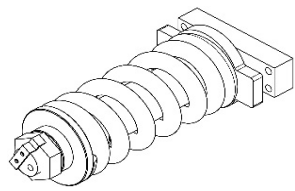
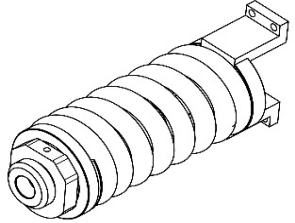
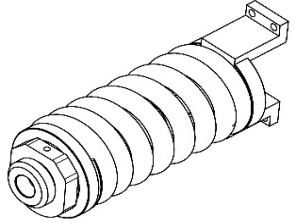
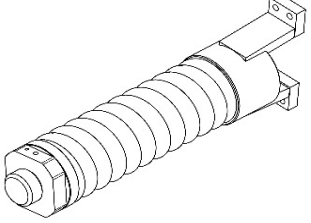
Ref.	Part No.	Description	Notes	Qty.	Wt.
Komatsu Track Adjuster, L/H (D31 A16-17-P16-17-S16-17 After s/n 32001) D31E18 D37E1-2, D37P-2					
	PV328	Track Adj & Spring Assy L/H	Dozer Models Only, Not Assembled*	1	170
1	113-30-41211	Bracket L/H	For KM778 Roller, Dozer Models Only	1	62
2	113-30-34210	Spring		2	50
	PV333	Track Adjuster Assembly L/H		1	50
4	113-30-34230	Cylinder L/H		1	34
5	113-30-24161	Piston		2	3
	909001	Seal Kit		2	1
6	113-30-34190	Plate		2	8
7	113-30-37110	Spring Cover L/H		1	19
8	113-30-34150	Yoke	Yoke not included in PV328 assembly	2	42
Will also work on older s/n if top roller is changed					
Komatsu Track Adjuster, R/H (D31 A16-17-P16-17-S16-17 After s/n 32001) D31E18 D37E1-2, D37P-2					
	PV327	Track Adj & Spring Assy R/H	Dozer Models Only, Not Assembled*	1	170
1	113-30-41220	Bracket R/H	For KM778 Roller, Dozer Models Only	1	64
2	113-30-34210	Spring		2	50
	PV334	Track Adjuster Assembly R/H		1	50
4	113-30-34240	Cylinder R/H		1	34
5	113-30-24161	Piston		2	3
	909001	Seal Kit		2	1
6	113-30-34190	Plate		2	8
7	113-30-37120	Spring Cover R/H		1	19
8	113-30-34150	Yoke	Yoke not included in PV327 assembly	2	42
Will also work on older s/n if top roller is changed					

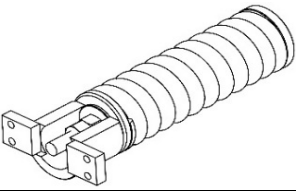
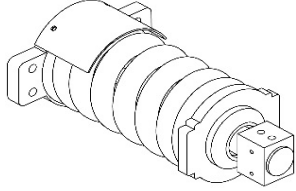
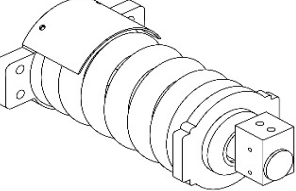
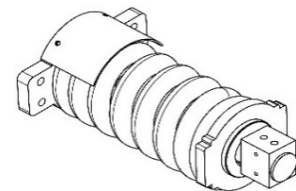
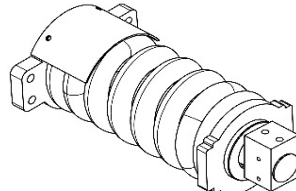
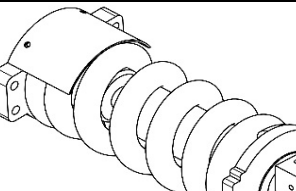
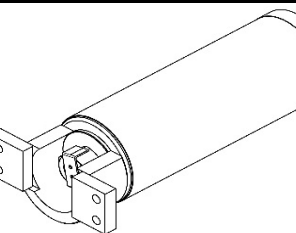
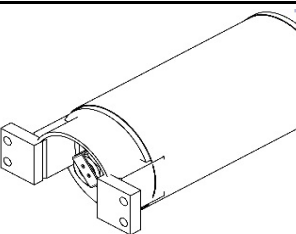
*Track Adjuster & Spring Assembly can be assembled before shipping for an additional fee.



Ref. Part No.	Description	Notes	Qty.	Wt.	
2S5925	Fitting	Will not fit OEM Adjusters	2	0.1	
CAT D3 s/n 78U, D3 s/n 79U, D3B s/n 27Y					
1	PV322	Track Adjuster Assembly	5 Roller track frame	2	86
2	6S3275	Yoke	28 1/2" overall length	2	39
3	6S3360	Tube, with nut		2	42
	904405	Seal Kit		2	1
4	5K2754	Spring		2	76
CAT D3B s/n 27Y, D3B LGP s/n 24Y, D3C to s/n 1PJ0868, D3C to s/n 5KG0811					
1	PV335	Track Adjuster Assembly	5 Roller track frame	2	88
2	6S7399	Yoke	37 1/4" overall length	2	45
3	6S3360	Tube, with nut		2	42
	904405	Seal Kit		2	1
4	5K2754	Spring		2	76
CAT D3C after s/n 1RT0869, D3C after s/n 5KG0812, D3C s/n 6SL, D4C, D4C LGP, XL Series III, D4C to s/n 6YL2324, D4C s/n 7SL, D4C s/n 1FW					
1	PV338	Track Adjuster Assembly	6 Roller track frame	2	78
2	5G4381	Yoke	31 1/4" overall length	2	38
3	112-4297	Tube, with nut		2	40
	904405	Kit		2	1
4	8Y2735	Spring		2	53
CAT D4C from s/n 6YL2325 to s/n 6YL9999, D4C s/n 1RJ (6 Roller)					
1	PV339	Track Adjuster Assembly		2	85
2	6S7399	Yoke	37 1/4" overall length	2	45
3	8Y2733	Tube, with nut		2	40
	904405	Kit		2	1
4	8Y2735	Spring		2	53
CAT D4, AC HD5, HD6, IH TD6, TD9 (To Convert From Manual to Hydraulic Track Adjuster)					
	PV310	Track Adjuster Assembly		2	30
	905000	Seal Kit		2	1

	Part No.	Description	Qty.	Wt.
	JOHN DEERE 490E after s/n 020605, 110, 120, 120C			
	9092563	Recoil & Adjuster Assembly	2	112
	AT180391	Spring	2	50
	PV7534	Seal Kit (new style, for PVE adjusters)	2	0.1
	PV753	Seal Kit (old style, for OEM adjusters)	2	0.1
	HITACHI EX100-2, EX100-3, EX120-2, EX120-3			
	9092563	Recoil & Adjuster Assembly	2	112
	AT180391	Spring	2	50
	PV7534	Seal Kit (new style, for PVE adjusters)	2	0.1
	PV753	Seal Kit (old style, for OEM adjusters)	2	0.1
	JOHN DEERE 590D, HITACHI EX150-1			
	9069753	Recoil & Adjuster Assembly	2	154
	3036335	Spring	2	82
	PV7534	Seal Kit (new style, for PVE adjusters)	2	0.1
	PV753	Seal Kit (old style, for OEM adjusters)	2	0.1
	JOHN DEERE 160LC, HITACHI EX150-5, EX160-5			
	9149643	Recoil & Adjuster Assembly	2	191
	AT180044	Spring	2	97
	PV7536	Seal Kit	2	0.1
	HITACHI EX200-2, EX200-3			
	9090028	Recoil & Adjuster Assembly	2	241
	3047941	Spring, NSS		
	PV752	Seal Kit	2	0.1
	JOHN DEERE 200LC, HITACHI EX200-5			
	9144658	Recoil & Adjuster Assembly	2	241
	AT219476	Spring, NSS		
	PV7536	Seal Kit	2	0.1
	JOHN DEERE 200CLC, 200DLC, HITACHI ZX200			
	9186437	Recoil & Adjuster Assembly	2	254
	PV7538	Seal Kit Non-OEM kit	2	0.1
	JOHN DEERE 225CLC, 230CLC, HITACHI ZX220, ZX230			
	9188175	Recoil & Adjuster Assembly	2	254
	DH300085	Spring	2	137
	PV7538	Seal Kit Non-OEM kit	2	0.1

	Part No.		Qty.	Wt.
	JOHN DEERE 230LC, HITACHI EX220-3			
	9092565	Recoil & Adjuster Assembly	2	252
	AT219473	Spring	2	147
	PV7536	Seal Kit	2	0.1
	JOHN DEERE 270LC, HITACHI EX220-2, EX220-3, EX300-2, EX300-3			
	9097317	Recoil & Adjuster Assembly	2	278
	3053244	Spring	2	154
	PV7542	Seal Kit Seal kit will not fit OEM adjusters	2	0.1
	JOHN DEERE 270CLC, 330LC, 330CLC, 370C, HITACHI EX300-5, EX330			
	9159015	Recoil & Adjuster Assembly	2	373
	T211395	Spring	2	195
	PV7539	Seal Kit Non-OEM kit	2	0.1
	JOHN DEERE 270DLC			
	9243618	Recoil & Adjuster Assembly	2	373
	T211395	Spring	2	195
	PV7539	Seal Kit	2	0.1
	KOMATSU PC120-6			
	PV3120	Recoil & Adjuster Assembly	2	125
	203-30-66250	Spring	2	57
	909018	Seal kit	2	0.1
	KOMATSU PC200-6			
	20Y-30-29100	Recoil & Adjuster Assembly	2	299
	20Y-30-29160	Spring	2	127
	20Y-30-29130	Rod Adjuster	2	43
	909021	Seal Kit	2	0.1
	KOMATSU PC220-6			
	20Y-30-29100	Recoil & Adjuster Assembly	2	299
	20Y-30-29160	Spring	2	127
	20Y-30-29130	Rod Adjuster	2	43
	909021	Seal Kit	2	0.1
	KOMATSU PC300-6			
	207-30-68500	Recoil & Adjuster Assembly	2	610
	207-30-54140	Spring	2	238
	207-30-54120	Rod Adjuster	2	81
	909022	Seal Kit	2	0.1

	Part No.		Qty.	Wt.	
	CAT E110B, E120B, 311, 311B, 312, 312B				
	4I7342	Recoil Assembly	2	122	
	4I7338	Adjuster Assembly	2	21	
	900408	Seal Kit	2	0.1	
	CAT 315, 315B, 315BL, 315C, 315CL				
	130-9332	Recoil & Adjuster Assembly	2	204	
	102-8139	Spring	2	91	
	901406	Seal Kit	2	0.1	
	CAT 320, 320L, E200B, EL200B				
	7Y1602	Recoil & Adjuster Assembly	2	212	
	7Y1606	Spring	2	94	
	901406	Seal Kit	2	0.1	
	CAT 320B, 320BL				
	115-6424	Recoil & Adjuster Assembly	2	229	
	115-6427	Spring	2	95	
	901407	Seal Kit	2	0.1	
	CAT 320C, 320CL, 320CLU				
	194-1229	Recoil & Adjuster Assembly	2	238	
	194-1231	Spring	2	112	
	901407	Seal Kit	2	0.1	
	CAT 322, 322B, 322C, 322CL				
	194-1127	Recoil & Adjuster Assembly	2	274	
	176-4882	Spring	2	141	
	PV7540	Seal Kit	75mm	2	0.2
	Will not fit 322C FM Log Loader s/n: BYL, BPH, M2H				
	CAT 325, 325B, 325BL				
	130-9292	Recoil Assembly	2	327	
	7Y0631	Spring	2	151	
	102-8109	Adjuster Assembly	2	49	
	901408	Seal Kit	70mm	2	0.2
	Will also fit 322C FM Log Loader s/n: BYL, BPH, M2H				
	CAT 330, 330B				
	7Y0773	Recoil Assembly	2	375	
	4I7401	Spring	2	193	
	7Y1457	Adjuster Assembly	2	65	
	902403	Seal Kit	2	0.1	